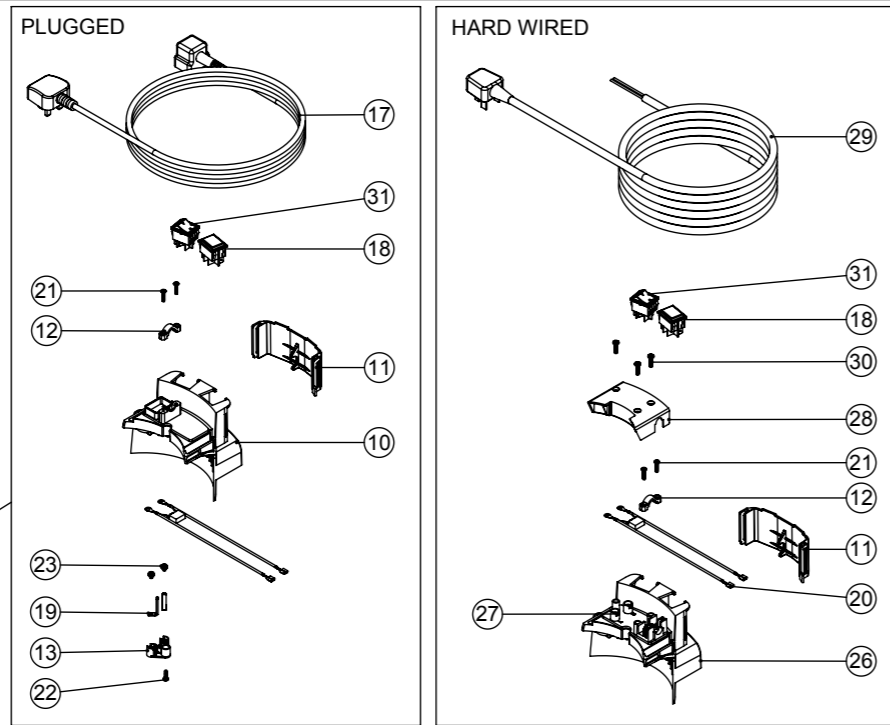


# Numatic International Spare Parts

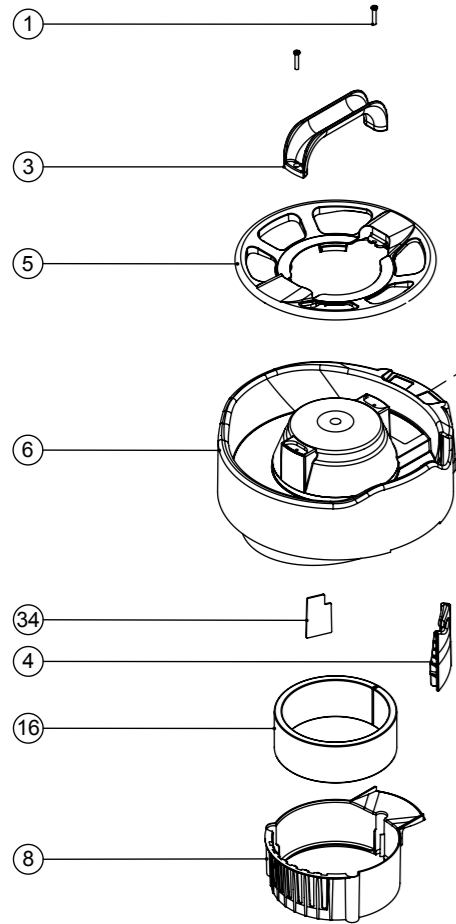
**Model No:** HEAD STYLE 4 ASSEMBLY 1/2 STAGE 1-SPEED EXPLODED

**Models:** JVP, JVH, PSP, PSH, VNP  
(NUV, NVP, NVH (EU))

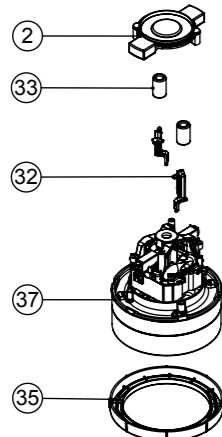
NA  
DRAWING: DRW-16814 ISS:A01  
09/01/2015



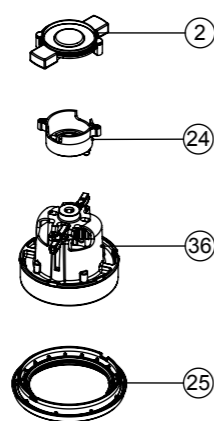
**Standard NZ Version**



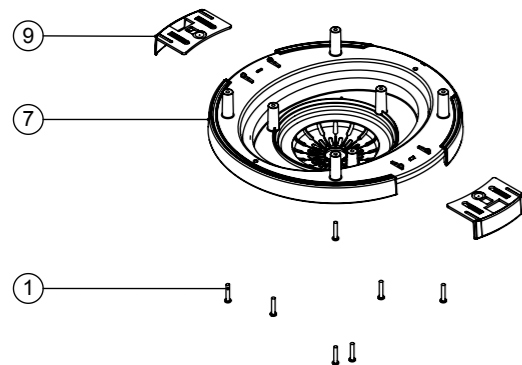
**DT2603T/DT28003T MOTORS**



**DL1653T MOTOR**



**Standard NZ Version**



# Numatic International Spare Parts

**Model No:** VNP180-2 HEAD STYLE 4 ASSEMBLY 1/2 STAGE 1-SPEED EXPLODED

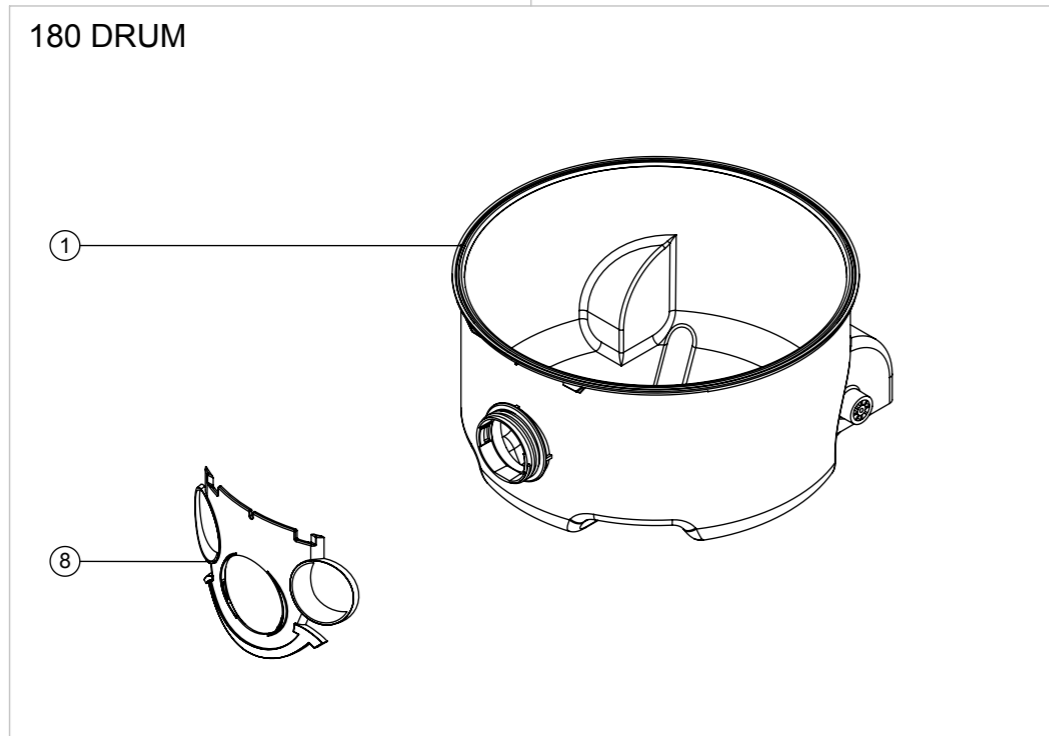
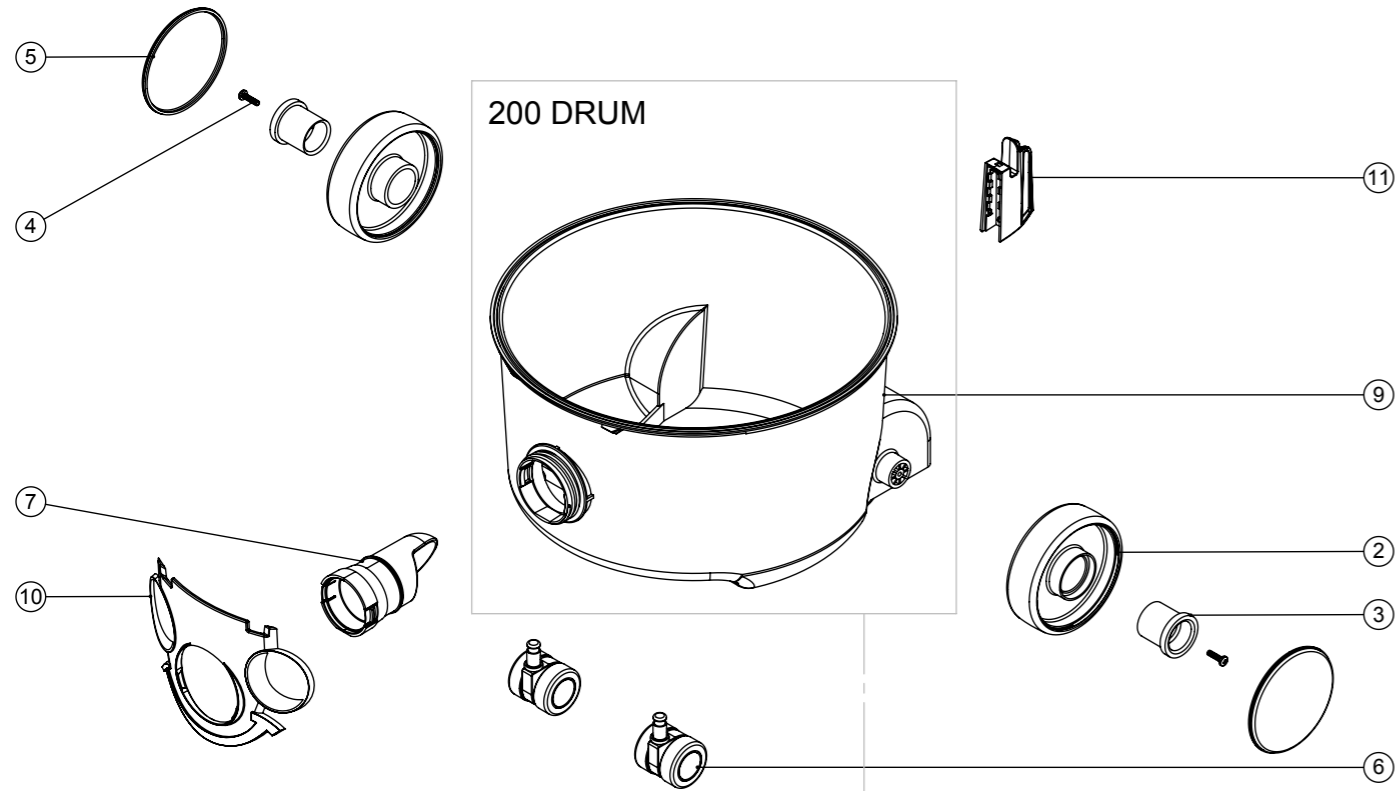
ITEM:	PART No:	Description	QTY.	COMMENTS:
1	291082	#8 SCREW 1"L T20 PAN HEAD P/L THREAD FORMING	9	
2	229614	MOTOR PLATE BI -MATERIAL	1	
3	206451	HANDLE	1	
4	237079	CABLE EXIT NPV/NHV	1	
5	-	NSP / PSP CABLE TIDY (BLACK)	1	CONTACT NUMATIC FOR DETAILS
6	-	TOP MOTOR HOUSING - YELLOW - NPV/NHV	1	CONTACT NUMATIC FOR DETAILS
7	237607	BOTTOM MOTOR HOUSING (TWIN-SHOT)	1	
8	229621	AIR GUIDE	1	
9	229715	TOGGLE (TWIN SHOT)	2	
10	237076	SWITCH HOUSING PLUGGED	1	
11	229623	SWITCH COVER	1	
12	227564	PLUG LOCATION CLAMP	1	
13	325912	NPV / NHV TERMINAL BLOCK PLUS INSERTS	1	
14	237082	BLANKING PLUG - ROCKER SWITCH	1	FOR NVP/NVH (PSP/PSH STYLE) USE IN PLACE OF ITEM 19
15	227957	BLANKING PLATE	1	USE IN PLACE OF ITEM 34 WITH DL1653T
16	203020	POD SIDE FELT	1	
17	236029	10.0M X 1.00MM X 2 CORE NUCABLE (NZ PLUG)	1	CONTACT NUMATIC FOR MORE DETAILS IF REQUIRED
	236013	10.0MT X 1MM X 2 CORE CABLE (SOCKET + PLUG) EURO	1	
18	208885	NEON INDICATOR (EVEREL, B71121G000000)	1	
19	206562	CONTACT PIN	2	
20	230170	SUPPRESSOR WIRE ASSY NPV/NHV	1	
21	219107	No6 X 5/8 INCH LONG POZI PAN PLASTITE SCREW	2	
22	219318	No6 X 1/2 INCH LONG POZI PAN PLASTITE SCREW	1	
23	219090	M4 X 8MM LONG POZI PAN SEMS SCREW	2	
24	237480	ADAPTOR MOTOR (DL1 603T)	1	
25	237089	BOTTOM MOTOR GASKET - CUP MOTOR	1	
26	237077	SWITCH HOUSING HARD-WIRED	1	
27	219009	M4 BRASS TAPPEX INSERT	1	
28	237080	NHV HARDWIRED SWITCH HOUSING COVER (BLACK)	1	
29	236033	10.0M X 1.00MM X 2 CORE CABLE (UK PLUG)	1	CONTACT NUMATIC FOR MORE DETAILS IF REQUIRED
	236034	10.0MT X 1.0MM X 2 CORE EURO PLUG	1	
30	219105	No8 X 5/8 INCH LONG POZI PAN PLASTITE SCREW	1	
31	220582	GREEN ROCKER SWITCH (WHITE PRINT) 0-1	1	
32	208955	CLIP RETAINER FERRITE BEAD (DL2 MOTOR)	2	NOT REQUIRED WITH DL1653T MOTOR
33	230097	AXIAL FERRITE BEAD	2	
34	208951	NOTCHED PCB BLANKING PLATE	1	USE ITEM 16 WITH DL1653T MOTOR
35	237675	MOTOR GASKET 2 STAGE ECO	1	
36	205840	MOTOR 600W (DL1653T) #063200462	1	
37	205740	230V 2 STAGE 600W ECO THRO FLOW FAN MOTOR (DL2603T) TCO	1	
	205640	230V 2 STAGE 800W ECO THRO FLOW FAN MOTOR (DL2803T) TCO	1	

FOR WIRING DIGRAMS PLEASE SEE DOC-21993 (REFER ONLY TO THE LATEST VERSION) OR NUMATIC WEBSITE

**Numatic International Spare Parts**

**Model No:** DRUM STYLE 1 - EXPLODED DIAGRAM

NA  
DRAWING: DRW-15614 ISS:A01  
23/12/2014



**Numatic International Spare Parts**

**Model No:** DRUM STYLE 1 - EXPLODED DIAGRAM

ITEM:	PART No:	Description	QTY.	COMMENTS:
1	-	180 PARALLEL DRUM	1	CONTACT NUMATIC FOR DETAILS
2	227640	2 SHOT WHEEL ASSEMBLY	2	
3	227868	WHEEL HUB FOR 2 SHOT WHEEL	2	
4	219105	No8 X 5/8 INCH LONG POZI PAN PLASTITE SCREW	2	
5	-	WHEEL TRIM	2	CONTACT NUMATIC FOR DETAILS
6	204000	40MM PU-TYRED BLACK TWIN WHEEL CASTOR	2	
7	237119	FRONT FIT BAG CONNECTOR	1	
8	-	PARALLEL SNAP FIT FACE PRINTED	1	CONTACT NUMATIC FOR DETAILS
9	-	200 DRUM	1	CONTACT NUMATIC FOR DETAILS
10	-	HENRY SNAP FIT FACE	1	CONTACT NUMATIC FOR DETAILS
11	237578	Wand Dock (Eco)	1	

COMPATIBLE FILTER BAGS - SEE DRW-15712 FOR DETAILS		
DESCRIPTION	ITEM NO.	QTY PER PACK.
NVM-1CH HEPAFLO DUST BAGS	604015	10