

**USING AND MAINTENANCE MANUAL FOR SELF-CONTAINED
POWER BRUSH MACHINE FOR CARPET AND HARD FLOOR**



Elite-Silent

READ CAREFULLY BEFORE USING THE MACHINE

Generalities

The body of the carpet/hard floor cleaning machine Elite-Silent is composed by two high-density polyethylene tanks, kept together with elastic hooks. The upper tank is meant to contain the dirty water sucked from the carpet, while the lower tank is meant to contain clean water and detergent.

The lower tank contains also the vacuum motor, the brush motor and the pump. The control panel is situated on the upper tank.



Safety instructions (read carefully)

Every electrical device must be used for its particular function only, respecting the manufacturer's instructions. Failure to adhere to the instructions could result in serious person injury, electric shock, fire or explosion.

The nowadays machines are normally produced according to the accident prevention regulations and are often homologated by qualified institutes for the safety, but nobody and nothing can save irresponsible users from danger.

Please, read carefully the following points and be sure to understand everything before using the machines. The following information signals potentially dangerous conditions to the operator or equipment.



WARNING: Fire or Explosion Hazard.

- Do not spray water near electrical outlets.
- Do not use the machine to spray or to suck dust, corrosive liquids (acids or bases) and explosive or inflammable liquids.
- Do not use the machine in an explosive atmosphere. This machine is not equipped with an explosion proof motor. The electric motor will spark when powered on which could cause a flash fire or explosion if machine is used in an area where flammable vapors/liquids or combustible dusts are present.
- Never use flammable liquids or operate machine in or near flammable liquids, vapors or combustible dusts.



WARNING: Electrical Hazard.

- Before putting the machine's plug in the current socket, check that the voltage available is the same indicated on the label of the machines.
- Be sure that the electrical system is well earthed and that it has a safety differential switch.
- Verify that the cable plug is complying with the outlet.
- Do not modify plug.
- Do not use adapters or multiple sockets, without knowing the electrical input of each user.
- If any electrical extension is used, check that it corresponds to the absorbed power of the machine and that the connection of the plug with the socket is complying and sealed.

- Take care of the electrical cable. It must be integral and protected from water, tears and chemical agents. Do not repair the cable in case of tears, but replace it with a new one. The cable must be replaced by the manufacturer or its service agent or a similarly qualified person in order to avoid a hazard.
- Do not pull the cable to drag the machine or to pull the plug out.
- Pull the plug out only when the machine is switched off.
- Do not handle the plug with wet hands.
- Unplug cable before servicing machine.



FOR SAFETY:

- Do not let the machine being used by children and people unable to understand the danger connected with the use of electrical power.
- Do not bring the end of the suction hose or one of the accessories near your face or others', particularly near ears and eyes: the sucked air could seriously damage them.
- If the machine is used as a wet vacuum cleaner, you must check the level of water in the recovery tank, in order to prevent water from being sucked by the vacuum motor.
- If the chemical you are using produces foam, or if you are cleaning carpet previously treated with shampoo, you must put some antifoaming liquid into the recovery tank. In the long run, the foam sucked by the motor can damage it.
- In case of abnormal working (very noisy motor, not running pump, extreme temperature rise, or other suspicious signals) switch off the machine and pull the plug out.
- If foam or liquid escapes from the machine, switch machine off immediately.
- After using, store the machine, well cleaned, in a cool and dry place.

The manufacturer cannot be held responsible for any damage/injury caused to persons or property, because of the incorrect use of the machine due to procedures being used which are not specified in this instruction manual.

Attention: all the electrical repairs must be performed by qualified personal only!



PROTECT THE ENVIRONMENT

Please dispose of packaging materials and old machine components in a safe environmentally way according to your local waster disposal regulations.



Always remember to recycle.

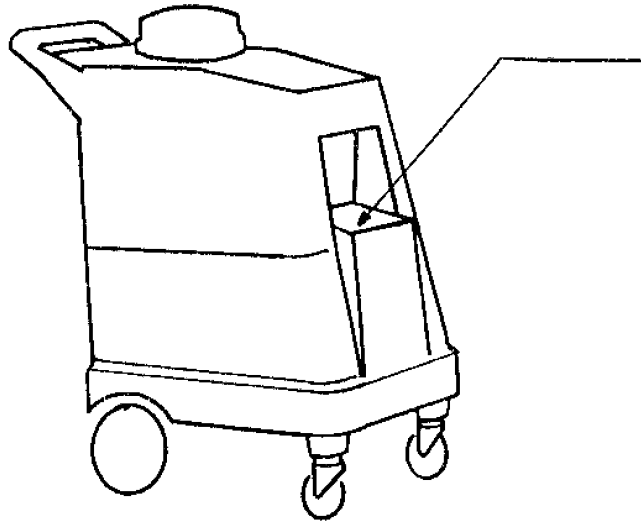
Preparation for Work

The carpet cleaning machine Elite-Silent is designed to clean large areas of carpet or hard floor. In the standard usage, the machine propels forward, cleaning a stripe of 50 cm (see paragraph Use as a Self-contained Machine).

It is also possible to use Elite-Silent to clean small areas, with an additional hose and wand (see Paragraph Use with Accessories).

The following steps 1 and 2 explain the necessary operations to prepare the machine for use:

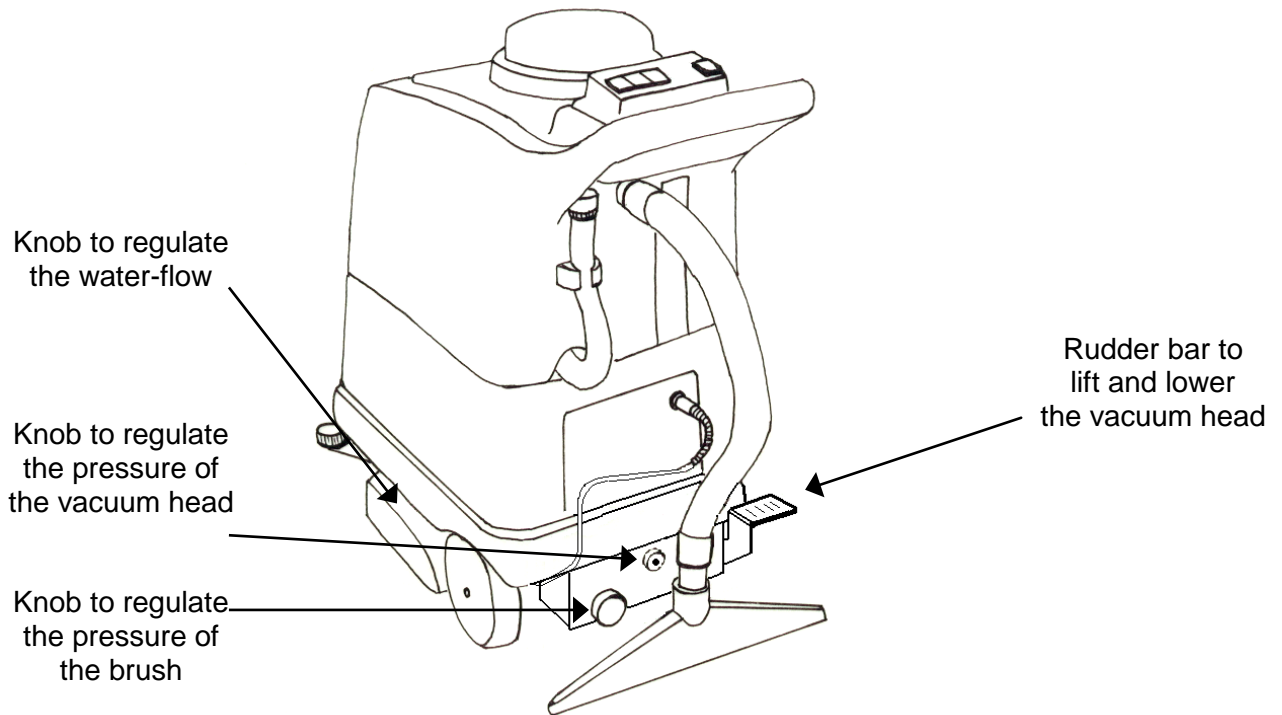
1. Fill in the lower tank (solution tank) with cold or warm water, through the filling hole, adding a 5% of not-foaming detergent (1/2 liter each 10 liters). Higher concentrations can be used in case of particularly dirty carpet or hard floor.



Attention: wool carpet must be washed with cold water only!

2. Insert the plug of the cable into a wall socket (see Safety Regulations).

Use as a Self-contained Machine



1. To wash carpet, use the standard vacuum head for carpet. If you need to wash hard floor, you must use the optional squeegee SQ720, which allows to work on hard floor. The connection between the machine and the squeegee is made with an automatic coupling. For the squeegee, it is also possible to tune the angle of the rubber blades with respect to the hard floor surface.
2. Regulate the pressure of the vacuum head on carpet or hard floor.
3. Regulate the height from floor of the rotating brush, so that you obtain more or less strength in the action of the rotating brush on the carpet. To lower the brush you must pull the knob located in the lower rear part of the machine and turn it counter-clockwise. To lift the brush, you must turn it clockwise. We recommend you to lift completely the brush after finishing the work and before storing the machine, in order to avoid its damage.

For carpet cleaning, the position generally used is the second-last one. The last position, instead, is indicated for cleaning hard floor, which usually requires a stronger action of the brush.

For hard floor cleaning, a specific harder brush is also available.

Verify that the brush inserted in the machine is the appropriate type for the surface to be cleaned. In particular, the optional specific brush for hard floor should not be used on carpet, since it might be too aggressive for carpet and damage it, or it could cause an overload of the brush motor.

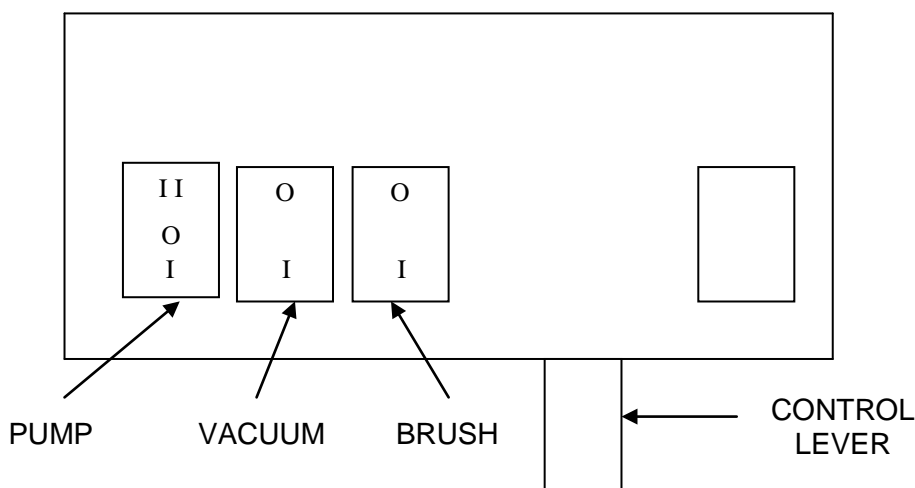
Attention: The brush motor is protected from overload, by a protection located on the control panel. If this protection intervenes, it is necessary to reduce the pressure of the brush, to avoid the overload of the motor. If this is not enough to avoid that the protection repeatedly intervenes, you should contact the

technical assistance. The repeated intervening of the protection might result in faults which cannot be covered by warranty.

4. Lower the vacuum head by pushing on the rudder bar, which is situated on the right-lower side of the machine.

Attention: Keep an adequate safety distance from other people, who could be run over by the machine. Pay attention to any object that could be hit by the machine. Never leave the machine unguarded.

To switch on the machine you must act on the switches on the control panel:



5. Set to position "I" the switches of the vacuum motor and the rotating brush.
6. Set to position "I" the pump switch. In this way the solution pump works only while the control lever is pressed down. With the pump switch in position "II", you have a continuous flow, without having to keep the spray laver pressed.
7. Set the regulation valve on the left-lower part of the machine, in order to regulate the quantity of water sprayed on the carpet. Screw the knob to reduce the water-flow, and unscrew to increase the flow. To help the priming of the pump, initially unscrew totally the knob.

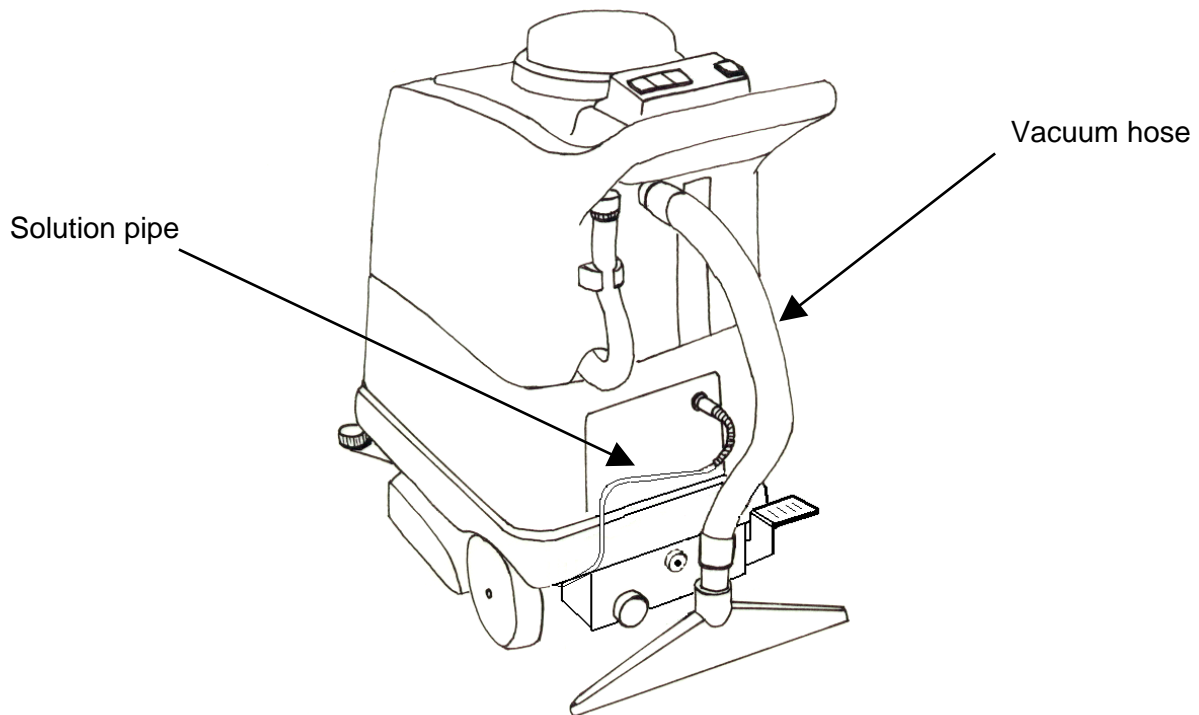
Attention: Do not let the pump function without water!

The machine should not be used to vacuum dust, which would be sucked by the vacuum motor, damaging it. It is possible to vacuum dust with the machine only if you connect the optional accessory NS270DUST, with the internal filter to collect dust.

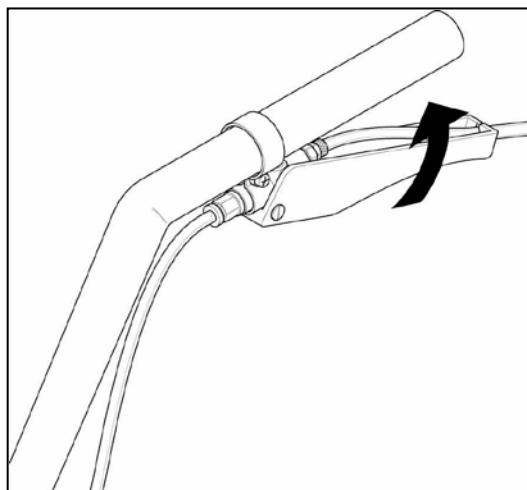
Use with Accessories

In this modality the machine works as a classical extractor. After filling the tanks with solution and inserting the plug in the wall outlet (see steps 1 and 2 of the paragraph Preparation for Work), you need to perform the following operations:

1. Connect the machine to the wand or to the hand-tool using the solution and the vacuum hoses. To connect the hoses to the machine, remove the vacuum hose, which connects the upper tank to the vacuum shoe, and the solution hose, which connects the pump to the 5 spraying nozzles, situated under the machine. By doing so, Elite-Silent becomes a classical extractor.



2. Switch on the vacuum motor by setting their switch to position "I", and the pump by setting the switches to position "II". In this way the solution pump always works and it is not necessary to keep pressed the control lever situated on the control panel.
3. To spray water you need to press the lever situated on the handle of the accessory.



Working Method

As regards the use as a self-contained machine, considering a rectangular surface, we suggest you to proceed in parallel stripes, spraying and sucking the solution at the same time. Proceed at a speed suitable to the dirt of the carpet. Act on the regulation valve to set the proper quantity of water to be sprayed on the carpet.

In case of persistent spots, you can locally apply a pure detergent. On the market there are also spray bottles with detergents which are specific for a particular kind of spot. Choose high-quality detergents only in order to avoid any damage to the surface. Always make a test in an area where an eventual damage is less visible.

Maintenance

Elite-Silent is a professional machine. The warranty on these machine is of 1 year and regards the faults due to manufacturing defects. The faults due to improper use are not covered by warranty. For further details regarding warranty, contact the distributor supplying the machine.

For a good preservation and a long duration of the machine, observe the following advice:

1. After each use, before storing the machine, remove all the water from the solution and the recovery tank. Put some liters of clean water into the solution tank and use the pump only, pressing the lever of the solution valve. This operation is useful to clean the internal parts of the pump, of the couplings and nozzles, removing the detergent residues.
2. After every use, store the machine in a cool and dry place with the cover open, to prevent humidity inside the recovery tank from condensing on the internal parts of the vacuum motor, therefore damaging it. The damage provoked by humidity that condenses on the motor (like the damage caused by the foam sucked by the motor) is not covered by warranty.
3. Periodically clean the water filter, extracting it from the machine and rinsing it under current water.
4. Eliminate the lime that in time deposits inside the hydraulic circuit of the machine, by putting some anti-lime solution in the solution tank and leave it for some hours. Then empty the tank and rinse. It is enough to perform this operation every 6-8 months.
5. Periodically check and clean the filter of the vacuum motor, which is located under the transparent circular cover of the upper tank.
6. Periodically check the consume of the carbon brushes of the vacuum motor. This check should be done after 500 working hours.
7. Periodically check also the carbon brushes of the water pump, after 500 working hours.
8. Check the consume of the carbon brushes of the brush motor, after 1500 working hours.
9. Worn-out carbon brushes may result in a damage to vacuum motor or pump, which are not covered by warranty. The check of carbon brushes should be done by technical assistance.
10. Periodically check that the brush rotates without problems, eliminating the causes which prevent a free rotation. In case of difficulties, contact the technical assistance.

Milano, 1 Gennaio 2006

DICHIARAZIONE DI CONFORMITA'
DECLARATION OF CONFORMITY
DECLARATION DE CONFORMITÉ
CE-KONFORMITÄTSBESCHEINIGUNG
DECLARACION DE CONFORMIDAD

Noi / We / Nous / Wir / Nosotros:

SANTOEMMA srl
Via Piave 22/C
20016 PERO (Milano)

dichiaro sotto la nostra responsabilità che il prodotto:
declare under our responsibility that the product:
déclarons sous notre responsabilité que le produit:
erklären unter unserer eigenen Verantwortung, daß das Produkt:
declaramos bajo nuestra responsabilidad que el producto:

Lavamoquette/lavapavimenti ELITE-SILENT
Spray extractor for carpet and hard floor ELITE-SILENT
Machine à laver la moquette et le planchers ELITE-SILENT
Sprühextraktionsgerät für Teppich-und Hartböden ELITE-SILENT
Máquina limpiamoqueta/limpiasuelo ELITE-SILENT

alla quale questa dichiarazione si riferisce, è in conformità alle seguenti Direttive Europee ad alle loro modifiche:
CEE 73/23, CEE 89/336, CEE 93/68.

to which this documentation relates is in conformity with the following european Directives and their modifications:
EC 73/23, EC 89/336, EC 93/68.

à la quelle cette déclaration se réfère, répond aux Directives européennes suivantes et à leurs modifications CEE
73/23, CEE 89/336, CEE 93/68.

auf das sich diese Bescheinigung bezieht, den folgenden Europäischen Richtlinien und ihren Änderungen
entspricht: CEE 73/23, CEE 89/336, CEE 93/68.

a la que esta declaración se refiere se conforma con las siguientes directivas europeas y sus modificaciones: EC
73/23, EC 89/336, EC 93/68.

Ing. Nicola Santoemma