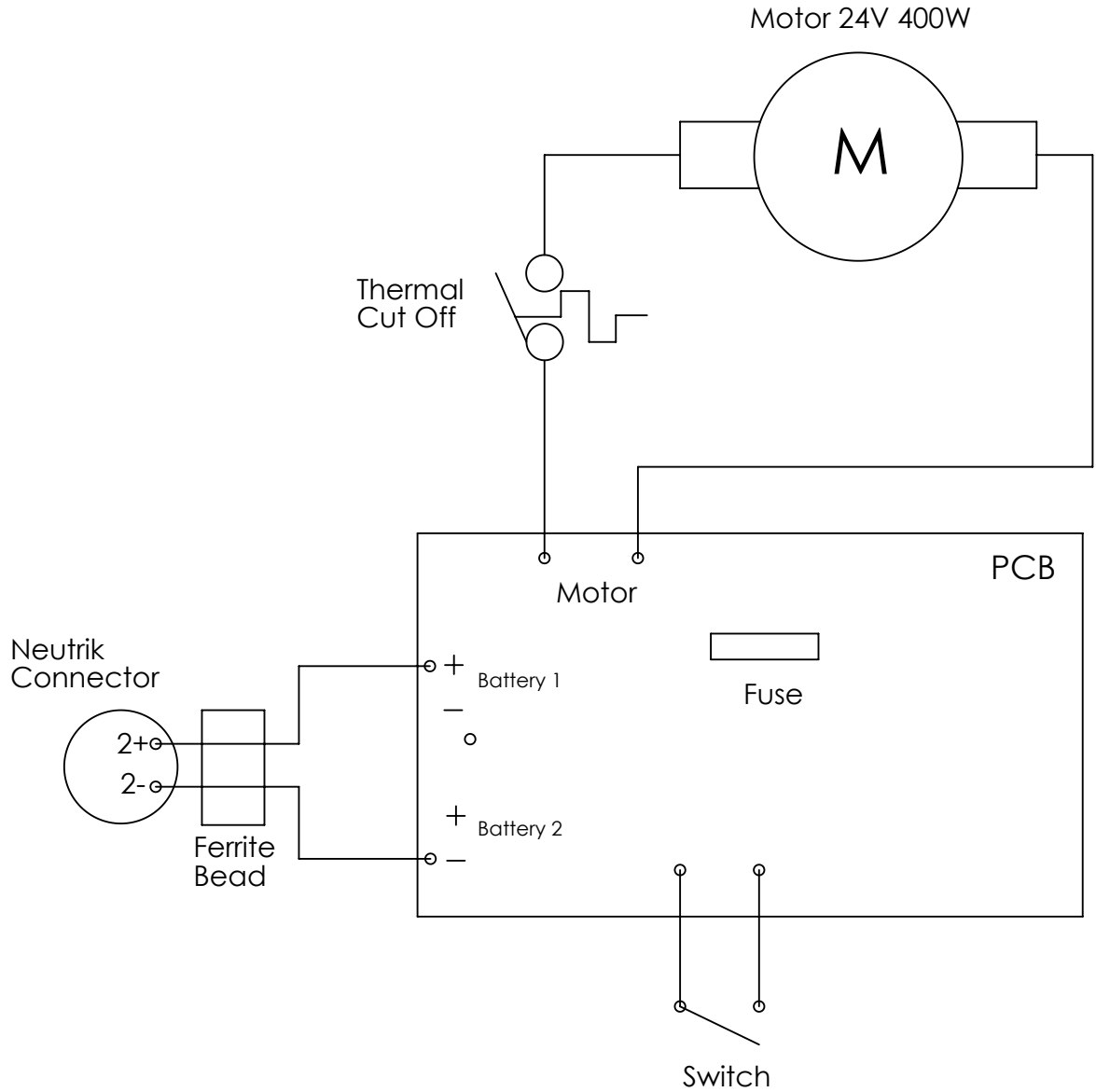

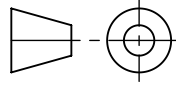


This document remains the exclusive property of Pacvac Pty Ltd and reproduction or any use not in conformity with the intended application is not permissible



REVISIONS				
ZONE	REV.	DESCRIPTION	DATE	APPROVED

UNLESS OTHERWISE SPECIFIED: DIMENSIONS ARE IN MILLIMETERS SURFACE FINISH: TOLERANCES: LINEAR: ANGULAR:		FINISH:		DEBUR AND BREAK SHARP EDGES		DO NOT SCALE DRAWING		REVISION	
						 <b>smarter cleaner healthier</b>		MODEL SP 700B	
	NAME	SIGNATURE	DATE	PROJECTION		TITLE:			
DRAWN	MP		22/6/12			WIRING DIAGRAM			
CHK'D									
APPV'D									
MFG									
Q.A				MATERIAL:		PART NO.		A4	
						SP700B PCB			
				WEIGHT:		SCALE:1:1		SHEET 1 OF 1	