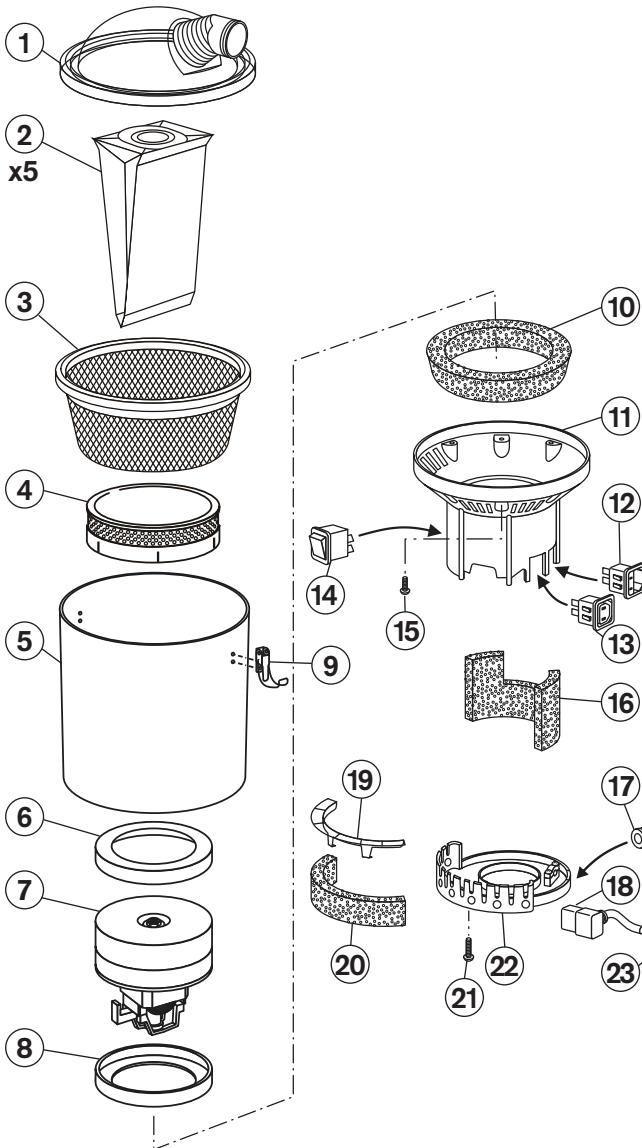


Parts Profile - **Superpro micron**

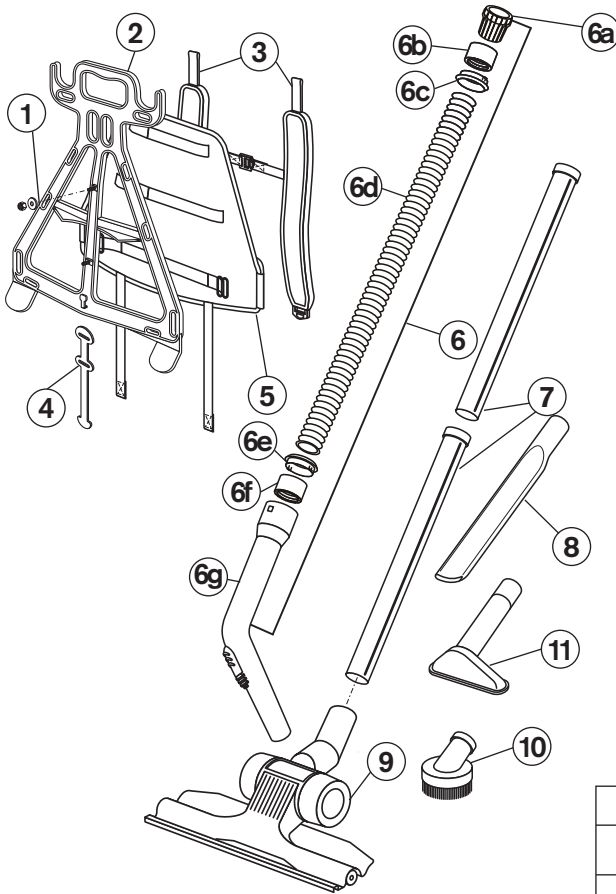


Hypercone™ Air Flow System
 Motor Type: 2 Stage Flow Thru
 220-240 volts
 50 Hertz
 1000 Watts + 200 Watts Outlet
 4-5 Amps

Quote these part numbers when ordering spare parts

No.	Part Name	Part No.
1.	Top dome lid	KC251
2.	Paper bag	KC287
3.	Dust bag	PV502
4.	HEPA filter	KC288
5.	Main vacuum canister	KC252M
6.	Motor gasket	KC253
7.	1000w Motor flow thru (240v)	UP118
8.	Motor gasket	KC253
9.	Toggle latch	KC131
10.	Intermediate noise insulation	PV254
11.	Intermediate housing	KC256IEC
12.	Power inlet	KC257IEC3
13.	Power outlet	KC257
14.	Switch	VS261
15.	Screw 5x20 (plastite)	PV298
16.	Noise insulation (motor)	PV255
17.	Hole plug	KC262P
18.	Short lead IEC (AU Only)	KC109IEC
19.	Motor filter cage	KC264
20.	External motor filter	PV259
21.	Screw 6x25	
22.	Bottom cap	KC258
23.	Extension lead AU, NZ, ZA Mains cable lead: UK, SG, IN, AE EU	KC11118 KC108UKIEC KC108EUIEC

Superpro 700 Series Harness, Accessories & Optional Extras



No.	Part Name	Part No.
1.	Bolt 5x20 Nut 5mm nyloc Washers 3/16 x3/4 & 3/16 x7/16	
2.	Frame	KC120
3.	Shoulder strap	KC121
4.	Cord restraint	KC268
5.	Back support, Padding and waist straps	KC263
6.	Vacuum hose complete	KC320
6a.	Machine end connector	KC200
6b.	Hose cuff hull	UA914
6c.	Hose clip ring	UA915
6d.	Vacuum hose	KC350
6e.	Hose clip ring	UA915
6f.	Hose cuff hull	UA914
6g.	Bent hand piece	KC330
7.	Two piece wand	KC9092
8.	Crevice tool	KC911
9.	Combination floor tool with wheels	UA908W
10.	Dusting brush	KC910
11.	Upholstery tool	KC912

OPTIONAL EXTRAS

Part No. KC928 Powerhead set complete	Part No. KC909 Extendable wand
NOTE: Not suitable for commercial use	

Part No. UA908 Combination floor tool 	Part No. UA9272 Bottom plate to suit combination floor tool 	Part No. UA917H All purpose floor tool
Part No. UP112PB Plug in RCD adaptor 	Part No. UA926 Turbo head 	Part No. UA913M Metal bent hand piece