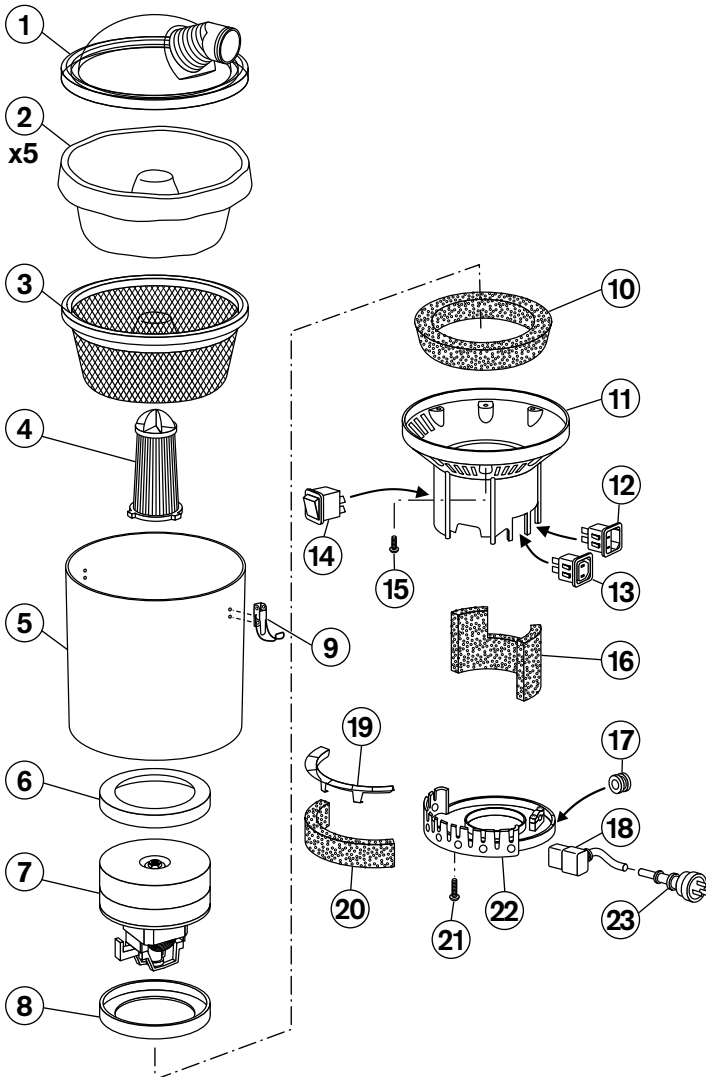


Parts Profile - **Superpro 700**

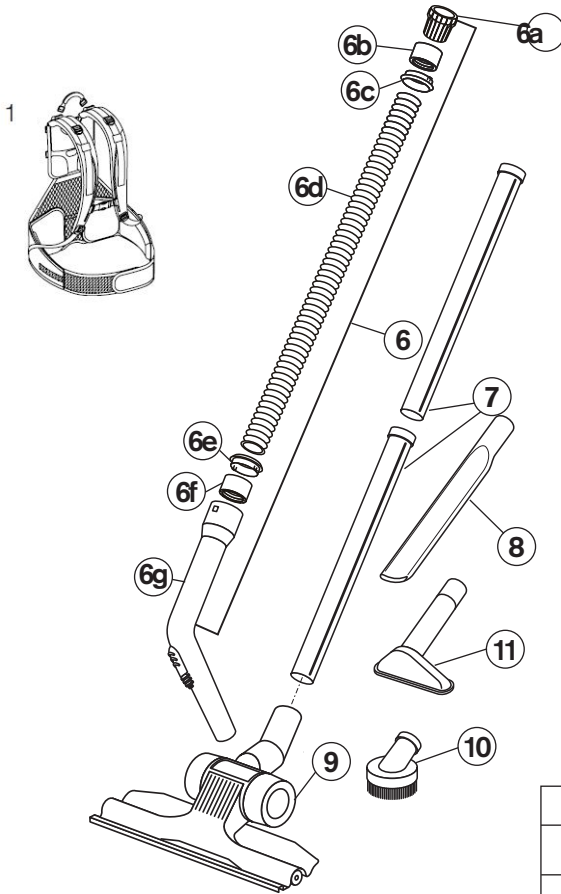


Hypercone™ Air Flow System
 Motor Type: 2 Stage Flow Thru
 220-240 volts
 50 Hertz
 1000 Watts + 200 Watts Outlet
 4-5 Amps

Quote these part numbers when
 ordering spare parts

No.	Part Name	Part No.
1.	Top dome lid	KC251
2.	Hypercone paper bag	AF101
3.	Dust bag	KC502HC
4.	Hypercone hepa filter	KC270
5.	Main vacuum canister	KC252
6.	Motor gasket	KC253
7.	1000w Motor flow thru (240v)	UP118
8.	Motor gasket	KC253
9.	Toggle latch	KC131
10.	Intermediate noise insulation	PV254
11.	Intermediate housing	KC256IEC
12.	Power inlet	KC257IEC
13.	Power outlet	KC257
14.	Switch	VS261
15.	Screw 5x20 (plastite)	PV298
16.	Noise insulation (motor)	PV255
17.	Hole plug	KC262P
18.	Short lead IEC (AU Only)	KC109IEC
19.	Motor filter cage	KC264
20.	External motor filter	PV259
21.	Screw 6x25	
22.	Bottom cap	KC258
23.	Extension lead AU, NZ, ZA	KC111/18
	Mains cable lead: UK, SG, IN, AE	KC108UKIEC
	US, JP	KC108USIEC
	EU	KC108EUIEC

Superpro 700 Series Harness, Accessories & Optional Extras



No.	Part Name	Part No.
1.	Ecoharness kit	SEK018

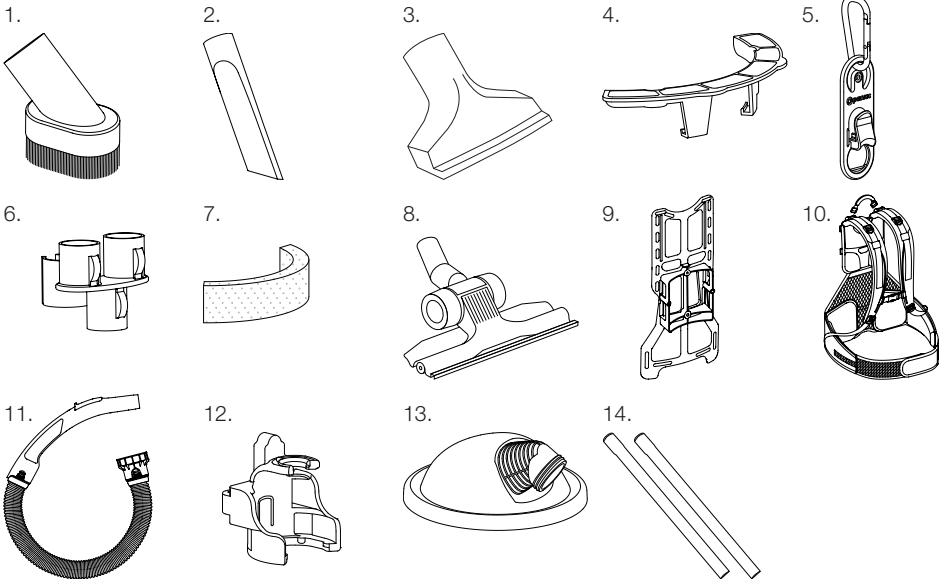
		KC263
6.	Vacuum hose complete	KC320
6a.	Machine end connector	KC200
6b.	Hose cuff hull	UA914
6c.	Hose clip ring	UA915
6d.	Vacuum hose	KC350
6e.	Hose clip ring	UA915
6f.	Hose cuff hull	UA914
6g.	Bent hand piece	KC330
7.	Two piece wand	KC909/205
8.	Crevice tool	KC911
9.	Freeflow floor tool with wheels	KC908FF
10.	Dusting brush	KC910
11.	Upholstery tool	KC912

Part No. KC908 Combination floor tool	Part No. UA9272 Bottom plate to suit combination floor tool	Part No. KC917H All purpose floor tool
Part No. UP112PB Plug in RCD adaptor	Part No. UA926 Turbo head	Part No. HAP004 Metal bent hand piece

Spare Parts

Quote these part numbers when ordering spare parts for all models.

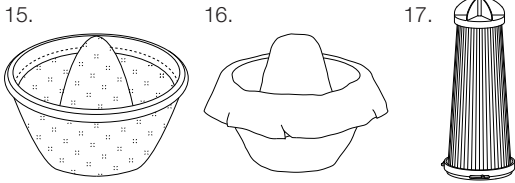
No.	Part Name	Part No.
1.	Dusting brush 32mm	KC910
2.	Crevice tool 32mm	KC911
3.	Upholstery tool 32mm	KC912
4.	Front motor filter cage (black)	KC264
5.	Cord restraint	COR004
6.	Wand tool holder	CLI007
7.	Exhaust foam filter	KC259
8.	FreeFlow floor tool 285mm	KC908FF
9.	Frame	FRA005
10.	Harness kit	SEK018
11.	Screw fit hose 1.2m	HOA014
12.	Cord holder	HOL030
13.	Clear lid 5L	KC251
14.	Chrome two piece wand	KC909/20S



*Technical specifications, part numbers and parts designs are subject to change without notice.

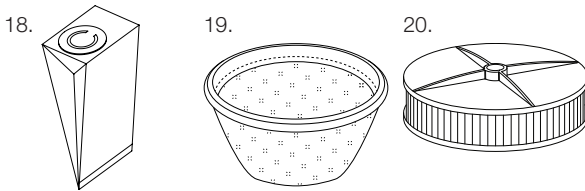
Quote the following part numbers when ordering spare parts for the Superpro and Duo only.

No.	Part Name	Part No.
15.	Reusable SMS cone dust bag 5L (grey)	KC502HC
16.	Disposable paper dust bag 5L (10pk)	AF101/10
17.	Pre-motor cone filter 196mm	KC270



Quote the following part numbers when ordering spare parts for model Micron only.

No.	Part Name	Part No.
18.	Disposable paper sealed dust bag 5L (5pk)	KC287OS/10
19.	Reusable SMS dust bag 5L (grey)	DUB007
20.	H13 HEPA Pre-motor cartridge filter 64mm	FIL029



Quote the following part numbers when ordering spare parts for model Superpro, Micron and Duo only (not EU or UK compatible).

No.	Part Name	Part No.
21.	C13 Short lead	KC109IEC



Quote these part numbers when ordering spare parts for all models (not EU or UK compatible).

No.	Part Name	Part No.
22.	Extension lead 20m	KC111/20



Online Manual

Visit academy.pacvac.com or scan the QR code to access the online manual.



Revised: June 2023
MAN001-superpro-duo-micron-manual-v01

Pacvac Pty Ltd
ABN: 60 709 396 593
7 Mackay Street, Kewdale WA 6105
AUSTRALIA

 +61 8 9479 1444  support@pacvac.com  pacvac.com