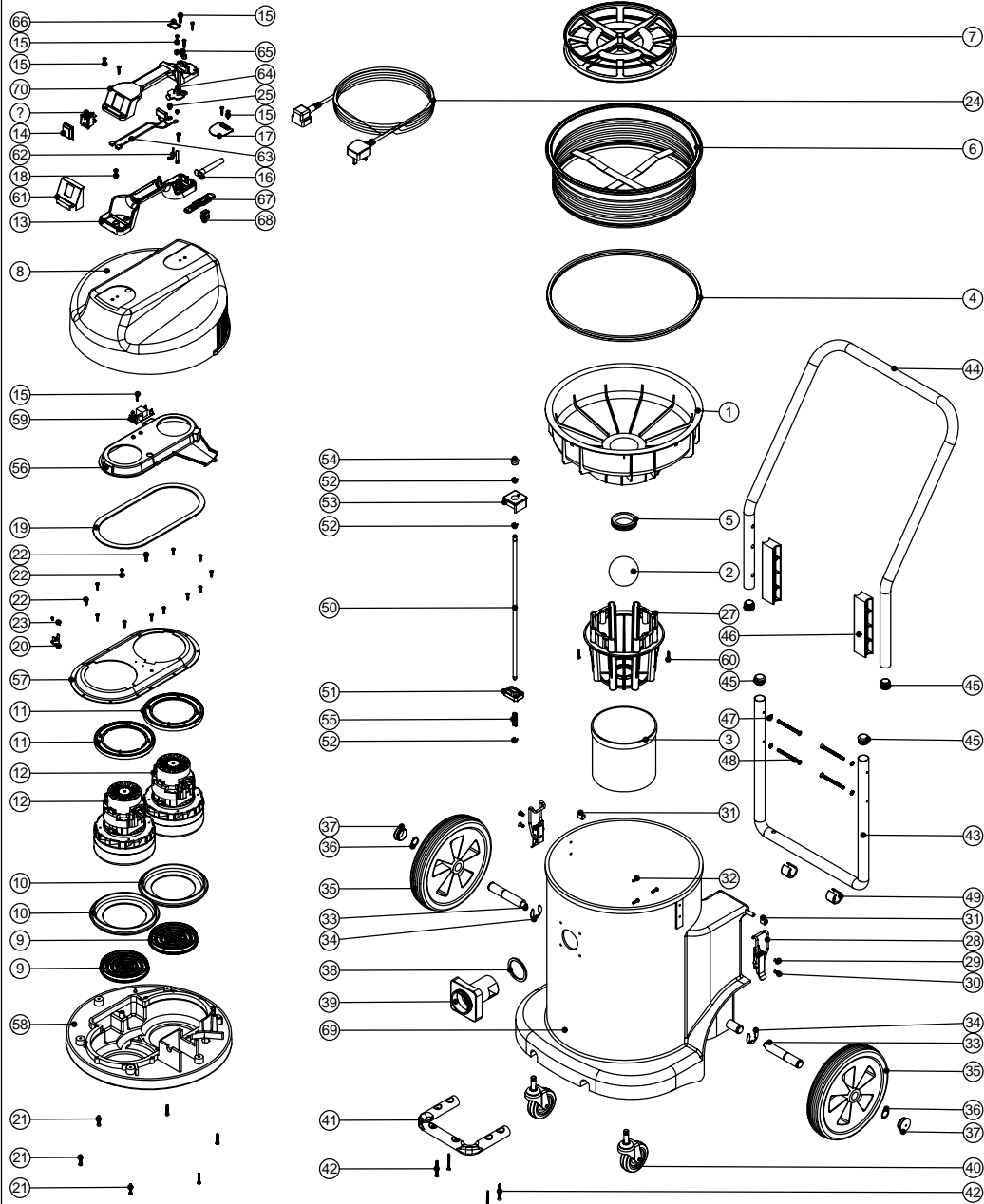


# Numatic International Spare Parts

Model No: WVD-900-2

234286  
DRAWING: EXP-0718 ISS:A03  
30/06/2008



# Numatic International Spare Parts

Model No: WVD-900-2

POS:	ITEM NO:	DESCRIPTION:	COMMENTS:
1	225101	FLOAT MOULDING	
2	206026	POLYPROP BALL	
3	207073	GAUZE FILTER	
4	202036	FLOAT MOULD EXTRUSION SEAL	
5	220235	FLOAT GROMMET	
6	207030	WHITE FILTER ASSEMBLY	
7	209600	DOUBLE 12 INCH FILTER GRID (GROOVED CIRCULAR RIB)	
8	227043	COVER MOULDING	
9	206010	FAN GUARD	
10	202005	MOTOR BOTTOM GASKET	
11	227925	TOP MOTOR GASKET	
12	205411	240V 2 STAGE D.I BYPASS ACUSTEK MOTOR (BL21104)(MARKED 230V)	
	205410	220V 2 STAGE D.I BYPASS ACUSTEK MOTOR (BL21102)(MARKED 230V)	
	205409	120V 2 STAGE D.I BYPASS ACUSTEK MOTOR (BL21101)	
13	320686	HANDLE BASE MOULDING	
14	206573	SWITCH COVER (PLUG HANDLE)	
15	219107	No6 X 5/8 INCH LONG POZI PAN PLASTITE SCREW	
16	220923	STRESS RELIEF	PLUGGED MAINS CABLE MACHINES
	220015	STRESS RELIEF	HARDWIRED MAINS CABLE MACHINES
17	220131	CABLE CLAMP	HARDWIRED MAINS CABLE MACHINES
18	219546	M5 X 20MM LONG POZI PAN SEMS SCREW	
19	202012	GASKET	
20	220532	THERMOSTAT	
	220659	THERMOSTAT	120V CSA SPEC MACHINES
21	219369	No8 X 1 INCH LONG POZI PAN STAINLESS STEEL PLASTITE SCREW	
22	219370	No8 X 5/8 INCH LONG PLASTITE STAINLESS STEEL SCREW	
23	219491	M5 X 3MM LONG POZI PAN TAPTITE SCREW	
24	236009	10.0M X 1.00MM X 2 CORE NUCABLE (UK PLUG)	
	236123	10.0MT X 1MM X 2 CORE YELLOW CABLE (SOCKET + PLUG) EURO	
	236021	10.0M X 1.00MM X 2 CORE NUCABLE (SOUTH AFRICAN PLUG)	
	236044	10.0M X 1.00MM X 2 CORE CABLE (AUSTRALIAN PLUG)	HARDWIRED MAINS CABLE MACHINES
	236065	10.0M X 2.50MM X 2 CORE CABLE (32 AMP INDUSTRIAL PLUG)	HARDWIRED MAINS CABLE MACHINES
	236063	10.0MT X 3CORE X 14AWG (YELLOW) SJTW 5-15P PLUG CSA	
25	219090	M4 X 8MM LONG POZI PAN SEMS SCREW	
26	220843	BLUE ROCKER SWITCH	
27	225130	MOULDED FLOAT CAGE	
28	206135	TOGGLE FASTENER	
29	219047	M5 X 10MM LONG POZI PAN SEMS SCREW	
30	219330	M5 X 12MM LONG POZI PAN COUNTRSUNK SCREW	
31	21985V	SPACER	
32	219105	No8 X 5/8 INCH LONG POZI PAN PLASTITE SCREW	
33	206137	STUB AXLE	
34	219306	E-CLIP	
35	204028	10 INCH WHEEL	
36	219308	CIRCLIP	
37	206131	BLACK PLASTIC CAP	
38	202027	HOSE FLANGE GASKET	
39	206117	FLANGE	
40	204060	3 INCH CASTOR	
41	303127	TOOL MOUNTING BAR	
42	219316	No10 X 43MM LONG POZI PAN COUNTER SUNK PLASTITE SCREW	
43	303128	LOWER HANDLE	
44	418671	BLACK UPPER HANDLE	
45	20637V	25.4MM TUBE END STOP	
46	206128	HANDLE BLOCK SPACER	
47	219423	M6 COUNTERSUNK LOCK WASHER	
48	219422	M6 X 70MM LONG POZI PAN COUNTERSUNK SCREW	
49	206295	PLASTIC SADDLE FOOT	
50	206133	LOCKING BAR	
51	206127	LOCKING BAR SUPPORT	
52	219307	E CLIP	
53	206126	LOCKING BAR KNOB	
54	206132	BLACK PLASTIC CAP	
55	219312	COMPRESSION SPRING	
56	227928	570 AIR SEPERATOR (LAMB BYPASS MOTOR DUPLEX)	
57	325526	TOP MOTOR HOUSING (DUPLEX)	
58	301048	PROCESSED BOTTOM MOTOR HOUSING	
59	220555	230V DELAY START MODULE	
	220556	110/120V DELAY START MODULE	
60	219568	No8 X 3/4 INCH LONG POZI PAN STAINLESS STEEL SCREW	
61	227635	SWITCH MOUNTING BRACKET (1 SWITCH)	
62	206562	CONTACT PIN	
63	220142	SUPPRESSOR ASSEMBLY	
64	227632	TERMINAL COVER & CLAMP	
65	227564	PLUG LOCATION CLAMP	
66	202000	TERMINAL GASKET	
67	227636	STRAIN RELIEF	
68	227637	CABLE CLIP	
69	300030	PROCESSED BLUE PLASTIC CONTAINER	
	300031	PROCESSED RED PLASTIC CONTAINER	
	325054	PROCESSED GREEN PLASTIC CONTAINER	
	325055	PROCESSED YELLOW PLASTIC CONTAINER	
	325130	PROCESSED GREY PLASTIC CONTAINER	
70	227625	HANDLE COVER (10AMP / 2 PIN / 1 SWITCH)	
	227627	HANDLE COVER (HARDWIRE / 1 SWITCH)	HARDWIRED MACHINES
71	249616	GREY NUMATIC OUTLINE	(NOT SHOWN)

# WIRING DIAGRAM

DRG. No  
**WD-0255**

PART. No  
**123234**

## 14" WVD (DUPLIX) LAMB 230v

<b>A03</b>	220558 WAS 220142. 320287 WAS 220336. 320044 WAS 321090	<b>MCF</b>	<b>IL</b>	<b>17:03:09</b>
ISSUE	REVISION	DRAWN	APPD.	DATE

