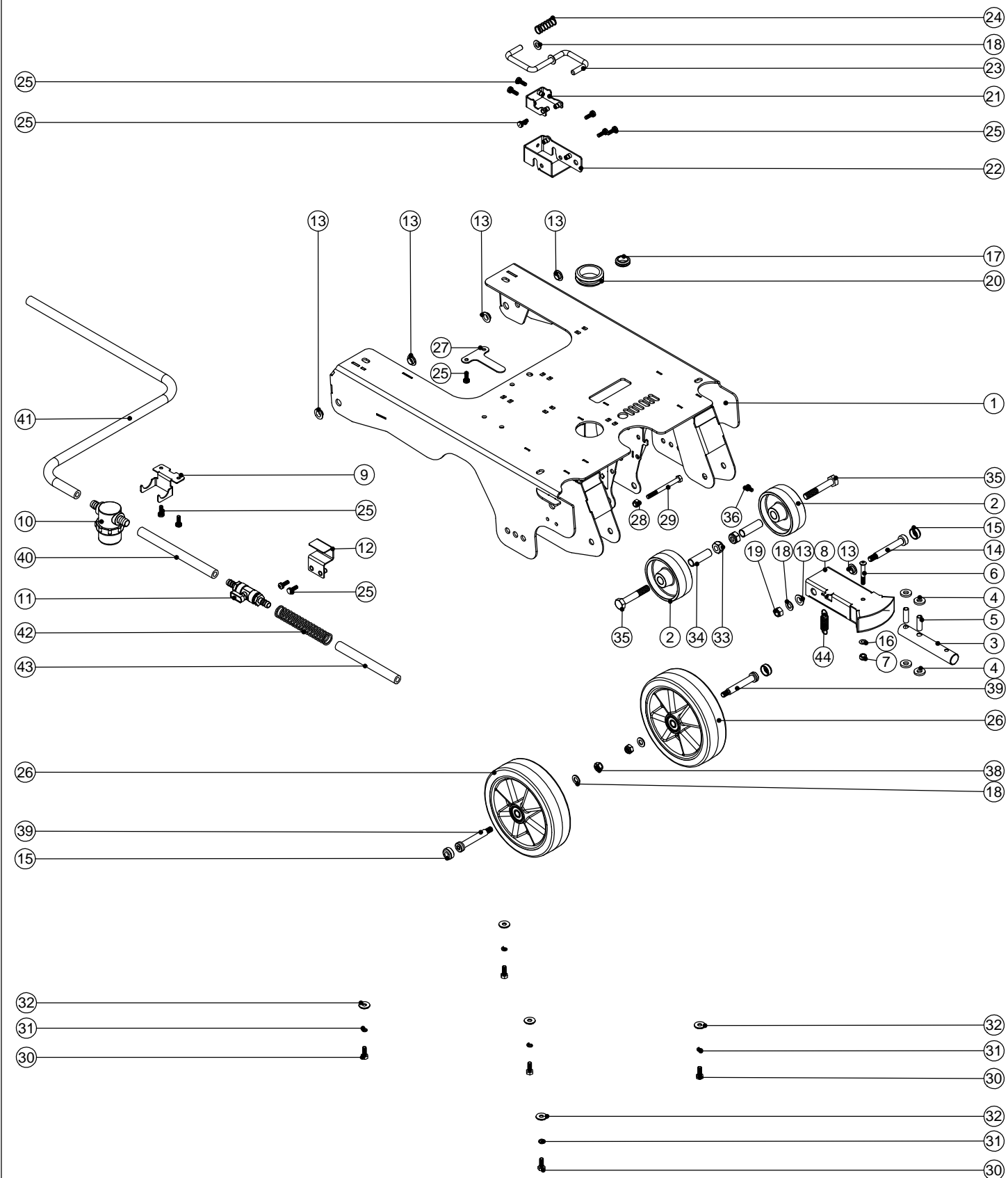


Numatic International Spare Parts

Model No: TT4045 (TT1117) & TT4055 (TT1120) & ET4045 (ET1117) CHASSIS
ASSEMBLY EXPLODED DRAWING

234959
DRAWING: DRW-13478 ISS: A01
22/03/2013

NB: FOR WIRING SEE DRAWING: DRW-11855, DRW-12474, DRW-12545



Numatic International Spare Parts

Model No: TT4045 (TT1117) & TT4055 (TT1120) & ET4045 (ET1117) CHASSIS
ASSEMBLY EXPLODED DRAWING

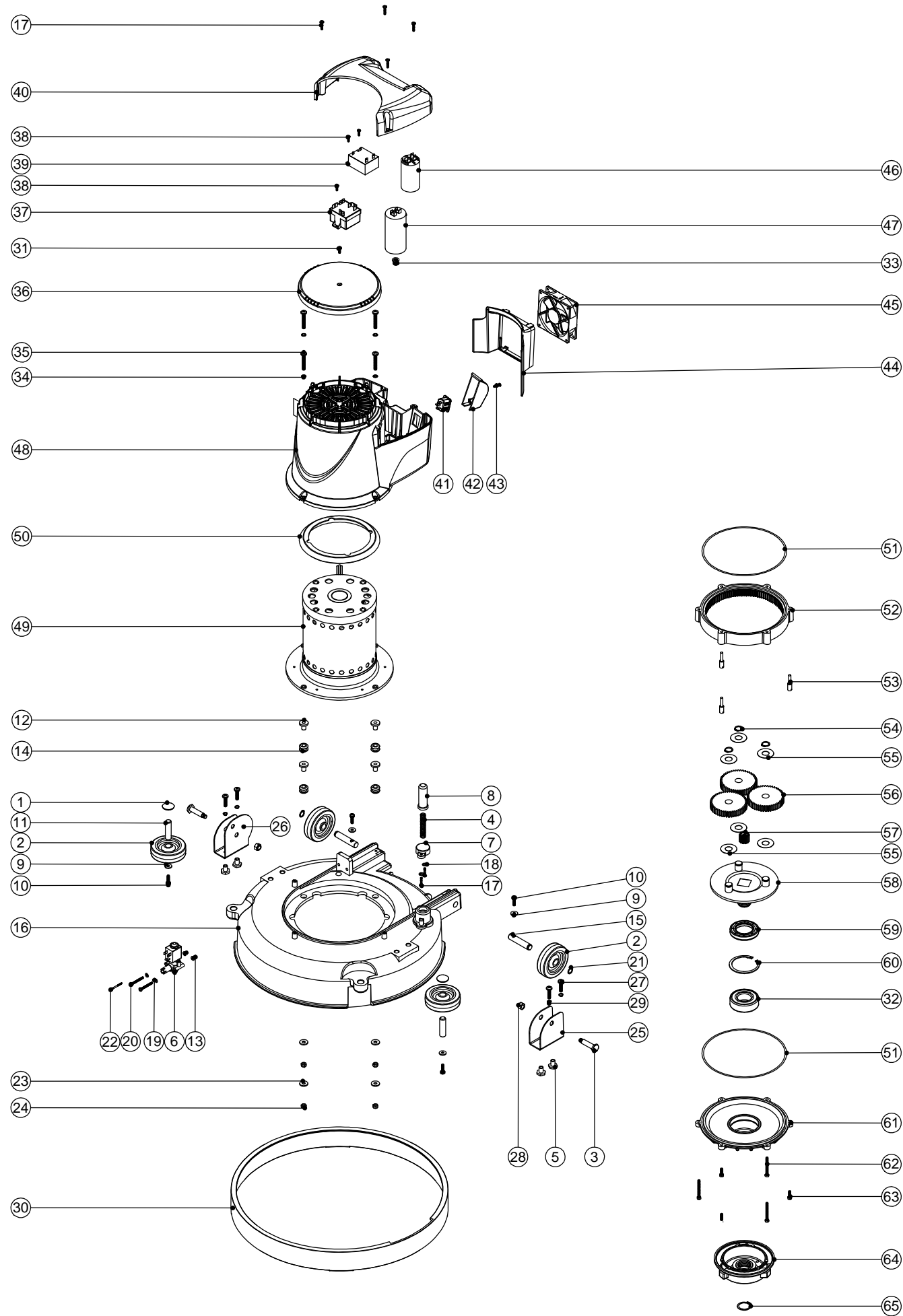
ITEM:	PART No:	DESCRIPTION	COMMENTS:
1	304371	TT/4045/4055 CHASSIS WELD ASSEMBLY	TT MACHINES
	404150	ET CHASSIS WELD ASSEMBLY PAINTED GREY	ET MACHINES
2	206713	80MM DIAMETER BLACK WHEEL	
3	304356	FLOOR TOOL PIVOT TUBE	
4	206964	SLIDE NYLON SPACER	
5	206954	SPIRO SPACER	
6	219807	M6 X 40MM LONG SOCKET BUTTON HEAD BOLT	
7	219853	M6 NYLOC HALF NUT (STAINLESS STEEL)	
8	304359	TT/TTB/4045/4055 SQUEEGEE MOUNT WELD ASSEMBLY	
9	392199	FILTER BRACKET	
10	208575	STRAINER	
11	208761	10MM PUSH FIT TO 10MM HOSE TAIL BALL VALVE ASSEMBLY	
12	304453	NUTSERTED 10MM TAP BRACKET	
13	208312	IGUS BEARING (GFM 101205)	
14	208574	M8 X 10 X 60 SHOULDER BOLT	
15	237632	SHOULDER BOLT COVER	
16	219560	M6 FORM B STAINLESS STEEL WASHER	
17	219631	19MM GROMMET	
18	219578	M8 FORM A STAINLESS STEEL WASHER	
19	219639	M8 STAINLESS STEEL NYLON INSERT NUT	
20	208144	38MM GROMMET X 6MM PANEL THICKNESS	
21	304411	NUTSERTED LOCK BAR CLAMP	
22	304409	NUTSERTED DECK LOCK BAR GUIDE	
23	304358	DECK LOCK BAR WELD ASSEMBLY	
24	208578	DECK LOCK SPRING	
25	219045	M5 X 16MM LONG POZI PAN SEMS SCREW	
26	208638	160MM DIAMETER WHEEL / POLYURETHANE TYRE	
27	321902	SILENCER CLAMP	
28	219088	M6 NYLON INSERT NUT	
29	219521	M6 X 70MM LONG HEX BOLT	
30	219719	M6 X 16MM LONG HEXAGONAL STAINLESS STEEL HEAD BOLT	
31	219718	M6 STAINLESS STEEL SPRING WASHER	
32	219647	M6 FORM G STAINLESS STEEL WASHER	
33	219897	M10 STAINLESS STEEL NYLON INSERT NUT	
34	391437	TRANSPORT WHEEL AXLE	
35	219894	M10 X 60MM LONG HEXAGONAL STAINLESS STEEL BOLT	
36	219047	M5 X 10MM LONG POZI PAN SEMS SCREW	
37	219003	M5 FORM A STEEL WASHER	
38	219857	M8 NYLON INSERT HALF NUT	
39	291057	M8 X 10 X 55MM LONG HEX SOCKET SHOULDER BOLT	
40	391452	SILICON TUBE 170MM LONG X 8MM I/D X 3.2MM WALL SECTION	
41	304434	SILICON TUBE 720MM LONG X 8MM I/D X 3.2MM WALL SECTION	
42	219333	COMPRESSION SPRING	
43	391479	BRAIDED PVC HOSE RP8/13.5 CUT TO LENGTH (135MM)	
44	208619	FLOOR TOOL SPRING	

Numatic International Spare Parts

Model No: 450MM MAINS DECK ASSEMBLY EXPLODED DRAWING

NB: FOR WIRING SEE DRAWING: DRW-11855 DRW-12545 DRW-12474

234956
DRAWING:DRW-13427 ISS: A01
21/03/2013



Numatic International Spare Parts

Model No: 450MM MAINS DECK ASSEMBLY EXPLODED DRAWING

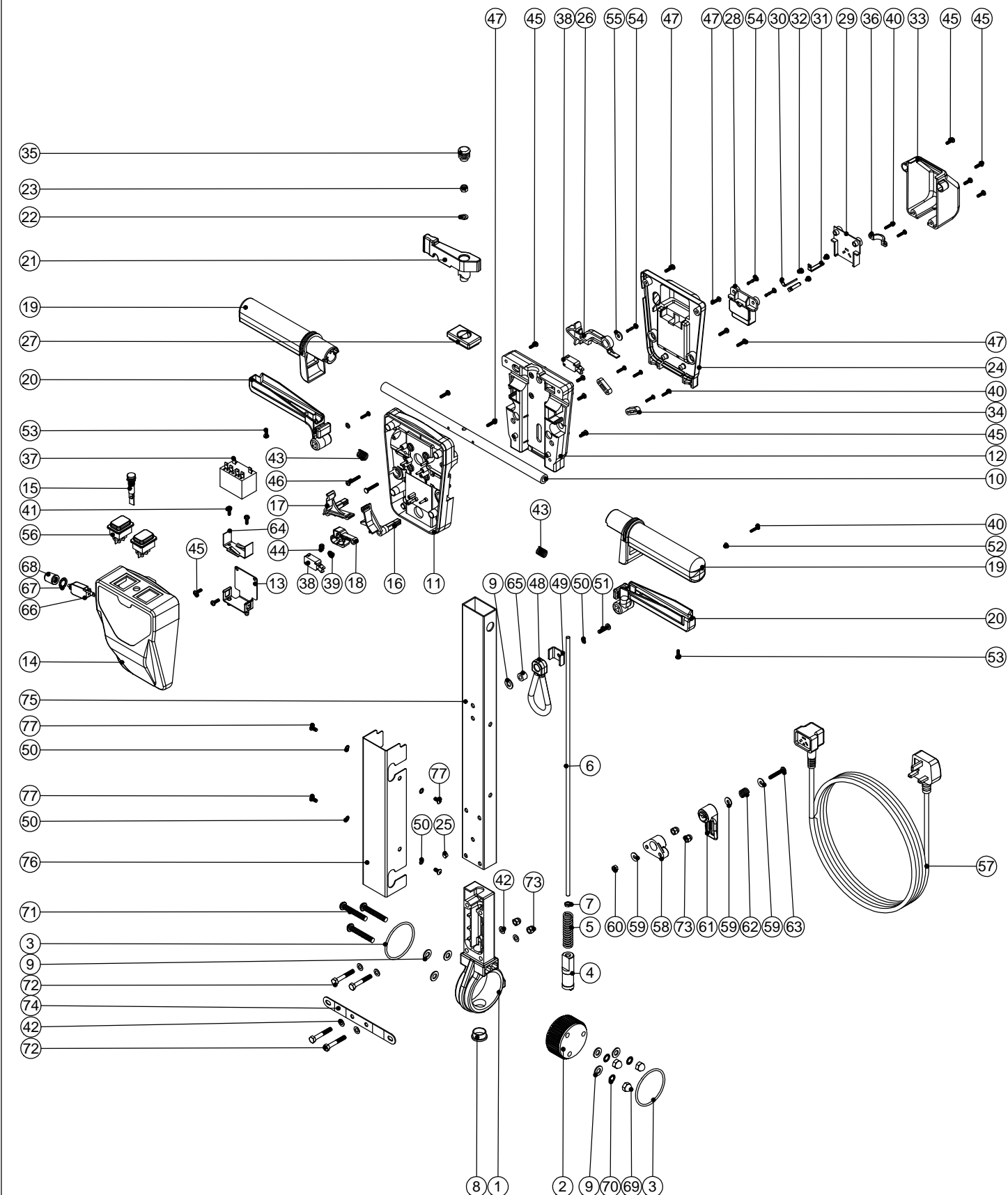
ITEM:	PART No:	DESCRIPTION	COMMENTS:
1	204021	12.7MM STAINLESS STEEL HUB CAP	
2	204068	3 INCH GREY WHEEL	
3	206236	PIVOT PIN	
4	219394	COMPRESSION SPRING	
5	219606	BRACKET SPACER	
6	220348	SOLENOID VALVE 240V 50/60HZ	
	220350	SOLENOID VALVE 110V 50/60HZ	
7	223242	PLUNGER MOUNTING PLATE MOULDING	
8	229128	PLUNGER	
9	219005	M5 FORM G WASHER	
10	219546	M5 X 20MM LONG POZI PAN SEMS SCREW	
11	206013	BUFFER WHEEL PIN	
12	208011	MOTOR MOUNTING SPACER	
13	219009	M4 BRASS TAPPEX INSERT	
14	229025	STANDARD GROMMET	
15	229382	REAR WHEEL PIN	
16	229258	TT 345 GRAPHITE BASE MOULDING	
17	219568	No8 X 3/4 INCH LONG POZI PAN STAINLESS STEEL SCREW	
18	219355	M5 FORM A STAINLESS STEEL WASHER	
19	219206	M4 FORM A WASHER	
20	219703	M4 X 35MM LONG STAINLESS STEEL POZI PAN SCREW	
21	219345	12MM EXTERNAL CIRCLIP	
22	219251	REPLACEMENT MPM CONNECTOR M3 SCREW	
23	219008	M6 FORM G WASHER	
24	219642	M6 STAINLESS STEEL NYLON INSERT NUT	
25	392249	DECK MOUNT RH	
26	392248	DECK MOUNT BRACKET	
27	219056	M6 X 25MM LONG POZI PAN SCREW	
28	219639	M8 STAINLESS STEEL NYLON INSERT NUT	
29	219549	M6 SINGLE COIL WASHER	
30	229644	450MM DIAMETER SPLASH SKIRT MOULDING	
31	219471	M4 X 12MM LONG POZI PAN SEMS SCREW	
32	230094	62MM O/D X 30MM I/D X 20MM BEARING (WITH SEALS)	
33	219453	M8 MULTISERT	
34	219544	M6 SHAKEPROOF WASHER	
35	219982	M6 X 40MM LONG POZI PAN STAINLESS STEEL SCREW	
36	229971	CAP MOULDING	
37	206823	230V SINGLE SPEED VOLTAGE RELAY	
	206822	110V/120V VOLTAGE RELAY	
	208416	120V RELAY	NACE MACHINES ONLY
38	219318	No6 X 1/2 INCH LONG POZI PAN PLASTITE SCREW	
39	206753	UNIVERSAL POWER SUPPLY	
40	237071	NPR / TT GRAPHITE LID MOULDING	
41	220584	RENDAR CLIP IN PLUG	
42	229213	PLUG COVER	
43	219107	No6 X 5/8 INCH LONG POZI PAN PLASTITE SCREW	
44	229972	FAN GUARD MOULDING	
45	205072	PROCESSED 12V DC BRUSHLESS FAN	
46	220876	20 MFD MOTOR RUN CAPACITOR (450V)	220V & 230V MACHINES
	208211	80uF MOTOR RUN CAPACITOR	120V MACHINES
	208219	70uF RUN CAPACITOR	110V MACHINES
47	208265	MOTOR START CAPACITOR 100 MFD C/W RESISTOR & M8 STUD	220V & 230V MACHINES
	208210	MOTOR START CAPACITOR 480 MFD C/W RESISTOR & M8 STUD	110V & 120V MACHINES
48	328132	GRAPHITE MOTOR COWL MOULDING PRINTED	PRINTED NUMATIC
	330008	TWINTec MAINS MOTOR COWL MOULDING (GRAPHITE) (NO LOGO)	NO PRINT
49	205217	COMBINED INDUCTION MOTOR 4POLE 220-240V 50Hz	
	205219	COMBINED INDUCTION MOTOR 4POLE 220V 60Hz	
	205220	COMBINED INDUCTION MOTOR 4POLE 120V 60Hz	
	205221	COMBINED INDUCTION MOTOR 4POLE 110V 50Hz	
50	227556	TOP MOTOR GASKET	
51	230001	V OIL SEAL	
52	214115	GEAR BOX MID SECTION	
53	208207	GEARBOX FASTENER WITH SLOT	
54	230015	15MM EXTERNAL CIRCLIP	
55	230215	35MM X 15 I/D ALUMINIUM WASHER	
56	230013	48 TOOTH SPUR GEAR(STANDARD SPEED 50/60HZ)	
57	230027	12 TOOTH PINION GEAR (STANDARD SPEED)	
58	230291	PLANET CARRIER & PIN ASSEMBLY (50HZ STANDARD SPEED)	
59	230158	VITON OIL SEAL (BROWN)	
60	230200	62MM INTERNAL CIRCLIP	
61	230208	DIE CAST BOTTOM PLATE ASSY	INCLUDE: 59, 60, 32
62	219706	M5 X 45MM LONG STAINLESS STEEL HEXAGONAL BOLT	
63	219904	M5 X16MM LONG HEXAGONAL STAINLESS STEEL BOLT	
64	230207	DIE CAST CHUCK MACHINED	
65	230048	26MM EXTERNAL CIRCLIP	

Numatic International Spare Parts

Model No: TT4045 (TT1117) & TT4055 (TT1120) & ET4045 (ET1117) HANDLE
ASSEMBLY EXPLODED DRAWING

234958
DRAWING: DRW-13430 ISS: A01
22/03/2013

NB: FOR WIRING SEE DRAWING: DRW-11855, DRW-12474, DRW-12545



Numatic International Spare Parts

Model No: TT4045 (TT1117) & TT4055 (TT1120) & ET4045 (ET1117) HANDLE
ASSEMBLY EXPLODED DRAWING

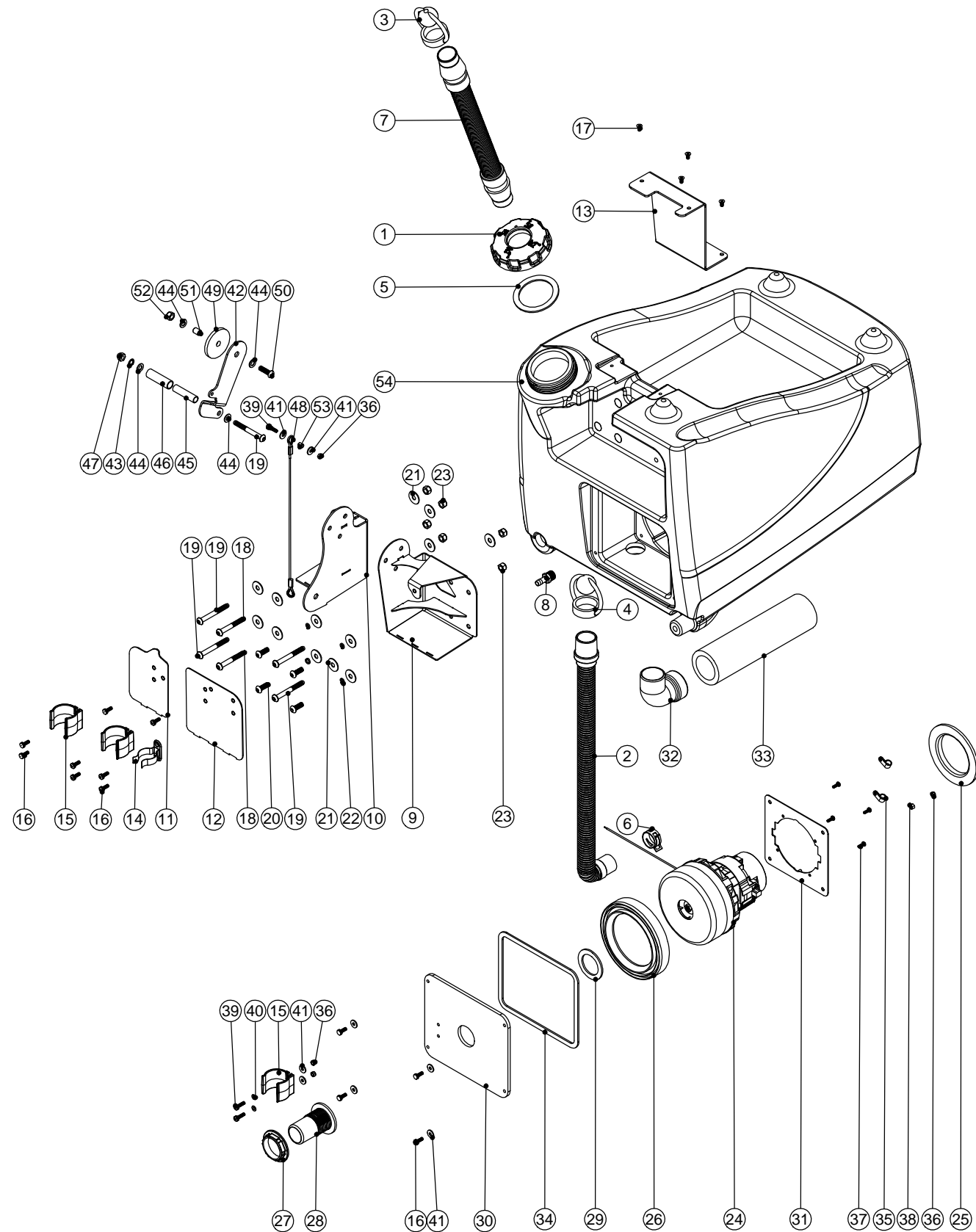
ITEM:	PART No:	DESCRIPTION	COMMENTS:
1	229081	HANDLE CASTING MACHINED	
2	229074	ADJUSTMENT GEAR	
3	219254	O RING 3MM DIA X 60MM I/D	
4	229073	GEAR LOCKING PIN	
5	229138	SPRING	
6	229462	510MM HANDLE LOCKING ROD	
7	219099	M6 HALF NUT	
8	229099	25MM DIA HOLE PLUG	
9	219010	M8 FORM A WASHER	
10	338269	CROSS TUBE	
11	227576	FRONT INNER HALF MOULDING	
	229508	FLAME RETARDANT FRONT INNER HALF MOULDING	FLAME RETARDANT CSA SPEC
12	227577	REAR INNER HALF MOULDING	
	329484	MODIFIED REAR INNER HALF MOULDING (CSA SPEC)	FLAME RETARDANT CSA SPEC
13	303526	NUTSERTED RELAY MOUNTING BRACKET	
14	229748	FRONT COVER MOULDING (MAINS & BATTERY)	230V/50-60HZ MACHINES
	229750	MAINS FRONT COVER MOULDING (C/B HOLE)	110V/50HZ MACHINES
	229751	MAINS FRONT COVER MOULDING (C/B HOLE) (FLAME RETARDANT)	120V/60HZ FLAME RETARDENT MACHINES
15	220812	230V NEON INDICATOR & RED LENS	
	220813	120V NEON INDICATOR & RED LENS	
16	227585	LEFT HAND SWITCH OPERATING LEVER MOULDING	
17	227586	RIGHT HAND SWITCH OPERATING LEVER MOULDING	
18	227587	CENTRE SWITCH OPERATING LEVER MOULDING	
19	227580	HAND GRIP MOULDING	
20	229500	TRIGGER MOULDING BLUE	
21	227583	ADJUSTMENT LEVER MOULDING	
22	219493	M6 NYLON WASHER	
23	219088	M6 NYLON INSERT NUT	
24	227676	REAR COVER	
	229507	MAINS TYPE FLAME RETARDANT REAR COVER MOULDING	FLAME RETARDANT CSA SPEC
25	229009	BLANKING PLUG	
26	227584	INTERLOCK LEVER MOULDING	
27	227582	HANDLE PLUG MOULDING	
28	227691	TERMINAL BLOCK	
	229510	FLAME RETARDANT TERMINAL BLOCK	FLAME RETARDANT CSA SPEC
29	227680	TERMINAL BLOCK COVER	
	229511	FLAME RETARDANT TERMINAL BLOCK COVER	FLAME RETARDANT CSA SPEC
30	206562	CONTACT PIN	
31	206563	EARTH CONTACT PIN	
32	219090	M4 X 8MM LONG POZI PAN SEMS SCREW	
33	227678	SOCKET COVER	
	229512	FLAME RETARDANT INLET COVER	FLAME RETARDANT CSA SPEC
34	227008	BLACK CABLE CLAMP	
	329485	BLACK CABLE CLAMP	FLAME RETARDANT CSA SPEC
35	20638V	19MM BLACK TUBE END STOP	
36	216290	CABLE CLAMP	
37	206575	240V / 25A RELAY	
	206576	100V-120V / 25A RELAY	
38	229483	SNAP ACTION SWITCH	
39	219805	4MM SPIREFIX	
40	219107	No6 X 5/8 INCH LONG POZI PAN PLASTITE SCREW	
41	219471	M4 X 12MM LONG POZI PAN SEMS SCREW	
42	219007	M6 FORM B WASHER	
43	219803	TRIGGER COMPRESSION SPRING	
44	219804	SWITCH COMPRESSION SPRING	
45	219569	No8 X 1/2 INCH LONG POZI PAN STAINLESS STEEL PLASTITE SCREW	
46	219811	NO8 X 1 INCH LONG POZI-PAN SELF TAP SCREW	
47	219105	No8 X 5/8 INCH LONG POZI PAN PLASTITE SCREW	
48	226008	STRESS RELIEF	
49	329231	STRESS RELIEF BRACKET	
50	219016	M5 SHAKEPROOF WASHER	
51	219054	M5 X 20MM LONG POZI PAN SCREW	
52	219206	M4 FORM A WASHER	
53	219270	No8 X 1/2 INCH LONG POZI PAN SELF TAP SCREW	
54	219568	No8 X 3/4 INCH LONG POZI PAN STAINLESS STEEL SCREW	
55	219005	M5 FORM G WASHER	
56	270146	GREEN ILLUMINATED SWITCH + MEMBRANE	
57	236012	20.0M X 1.50MM X 3 CORE NUCABLE (UK PLUG)	
	236132	20M X 1.5MM X 3 CORE YELLOW CABLE X SOCKET (EURO PLUG)	
	236020	20.0M X 1.5MM X 3 CORE NUCABLE (SWISS PLUG)	
	236024	20.0M X 1.50MM X 3 CORE NUCABLE (SOUTH AFRICAN PLUG)	
	236068	20.0MT X 1.5MM X 3 CORE CABLE (16A SOCKET + 10A PLUG) AUSTRALIAN	
	236118	20.0M X 1.5MM X 3 CORE NUCABLE (16 AMP INDUSTRIAL PLUG)	
	236028	20.0M X 14AWG X 3 CORE YELLOW NUCABLE (CSA PLUG)	
58	227806	CABLE RELEASE BASE MOULDING	
59	219644	M5 FORM G STAINLESS STEEL WASHER	
60	219076	M5 NYLON INSERT NUT	
61	227807	CABLE RELEASE TOP MOULDING	
62	206599	SPRING (REF:C5514370)	
63	219720	M5 X 30MM LONG STAINLESS STEEL POZI PAN SCREW	
64	206500	RELAY BRACKET	
65	226006	SPACER (BLACK)	
66	220440	8 AMP OVERLOAD	120V/60HZ FLAME RETARDENT MACHINES
	208550	15 AMP OVERLOAD	110V/50HZ MACHINES
67	219702	M10 INTERNAL LOCK WASHER	110V & 120V MACHINES
68	220459	OVERLOAD DUST COVER	110V & 120V MACHINES
69	219632	M8 STAINLESS STEEL DOME NUT	
70	219018	M8 SHAKEPROOF WASHER	
71	219922	M8 X 50MM LONG SOCKET BUTTON HEAD STAINLESS STEEL BOLT	
72	21965V	M6 X 40MM LONG HEX BOLT	
73	219080	M6 DOMENUT	
74	392298	TWINTec HANDLE CLAMP	
75	404159	PROCESSED 500MM HANDLE TUBE PAINT ANTHRACITE GREY	
76	404165	TT HANDLE COVER - PAINTED ANTHRACITE GREY	
77	291004	M5 X 10MM LONG STAINLESS STEEL BUTTON HEAD SCREW	

Numatic International Spare Parts

Model No: TT4045 & TT4055 & ET4045 BOTTOM TANK / VAC MOTOR ASSEMBLY
EXPLODED DRAWING

234961
DRAWING: DRW-13441 ISS: A01
22/03/2013

NB: FOR WIRING SEE DRAWING: DRW-11855 / DWR-12474 / DRW-12545



Numatic International Spare Parts

Model No: TT4045 & TT4055 & ET4045 BOTTOM TANK / VAC MOTOR ASSEMBLY
EXPLODED DRAWING

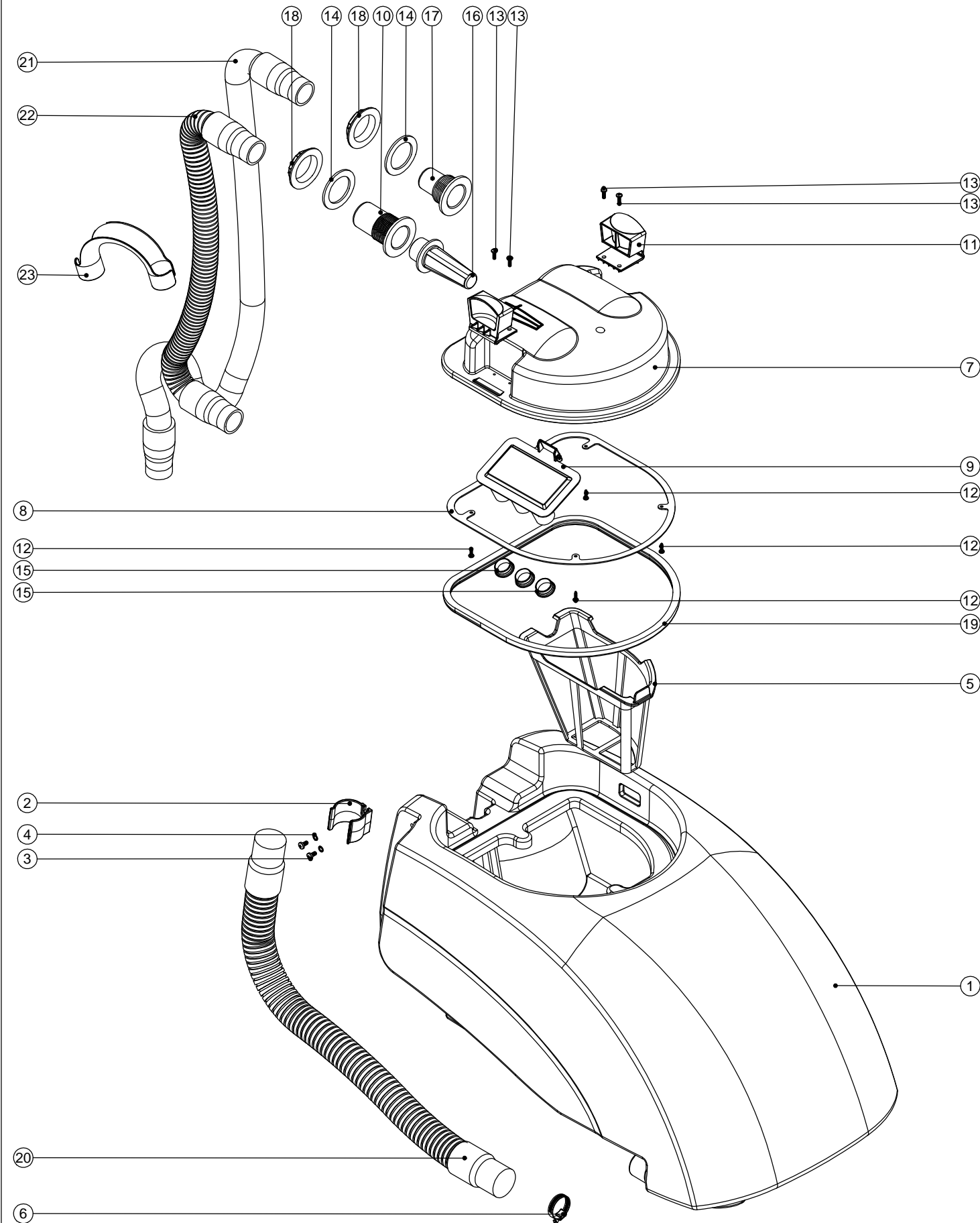
ITEM:	PART No:	DESCRIPTION	COMMENTS:
1	237174	FILLER CAP (WITH MIDDLE HOLE)	
2	213025	DUMP HOSE	
3	206111	HOSE CLOSURE	
4	206111	HOSE CLOSURE	
5	208564	FILLER CAP SEALING RING	
6	208471	CONSTANT TENSION CLIP	
7	206842	420MM LONG BLACK STRETCH HOSE C/W CUFFS	
8	219389	3/8 INCH BSP X 3/8 INCH HOSE TAIL	
9	304424	NUTSERTED HANDLE MOUNT (RH) WELD ASSEMBLY Z/PL	
10	304425	NUTSERTED HANDLE MOUNT (LH) WELD ASSEMBLY Z/PL	
11	304426	NUTSERTED HANDLE MOUNT DOOR (LH) PAINTED GREY	
12	304427	NUTSERTED HANDLE MOUNT DOOR (RH) PAINTED GREY	
13	392278	MAINS WIRE COVER PLATE	
14	206818	HOSE CLIP	
15	237382	ACETAL HOSE CLIP MOULDING	
16	219045	M5 X 16MM LONG POZI PAN SEMS SCREW	
17	291008	M5 X 10MM LONG POZI PAN COUNTERSUNK STAINLESS STEEL SCREW	
18	219917	M8 X 60MM LG Z/PL SOCKET BUTTON HEAD BOLT	
19	219806	M8 X 70MM LONG SOCKET BUTTON HEAD BOLT	
20	219658	M8 X 22MM LONG SOCKET BOLT	
21	221154	M8 FORM C WASHER	
22	219019	M8 COIL WASHER	
23	219078	M8 NYLON INSERT NUT	
24	205443	230V 2 STAGE D.I BYPASS ACUSTEK MOTOR (BL21104T) (MARKED 230V) TCO	
	321935	120V VAC MOTOR ASSEMBLY C/W 170MM LEAD & FEMALE MATE N LOCK HOUSING	
25	202008	MOTOR CAP GASKET	
26	202065	BOTTOM MOTOR GASKET	
27	206116	BLACK NUT	
28	237018	38MM DRAIN HOSE CONNECTOR	
29	219310	RUBBER WASHER	
30	392232	TT/4045/4055 VAC MOTOR BACK PLATE	
31	404143	TT/4045/4055 VAC MOTOR MOUNTING PLATE - PAINT GREY	
32	208583	DIP MOULDED ELBOW (MAINS VERSION)	
33	208654	210mm LONG SILENCER FOAM TUBE	
34	212052	3MM THICK X 9MM WIDE INSEAL (700MM LONG)	
35	219393	P CLIP	
36	219633	M5 STAINLESS STEEL NYLON INSERT NUT	
37	219569	No8 X 1/2 INCH LONG POZI PAN STAINLESS STEEL PLASTITE SCREW	
38	219072	M5 FULL NUT	
39	219546	M5 X 20MM LONG POZI PAN SEMS SCREW	
40	219003	M5 FORM A STEEL WASHER	
41	219005	M5 FORM G WASHER	
42	392234	FLOOR TOOL LIFTING HANDLE	
43	219018	M8 SHAKEPROOF WASHER	
44	219578	M8 FORM A STAINLESS STEEL WASHER	
45	391093	52MM LONG VAC MOTOR SPACER	
46	391131	53MM LONG BLACK NYLON TUBE	
47	219077	M8 DOMENUT	
48	208620	340MM LONG LIFTING WIRE	
49	392160	SQUEEGEE LIFT WASHER	
50	219555	M8 X 25MM LONG SOCKET BOLT	
51	208650	FLOOR TOOL LIFT BUSH	
52	219639	M8 STAINLESS STEEL NYLON INSERT NUT	
53	219508	SPIROL SPACER	
54	237405	TT4045/4055 BLUE BOTTOM TANK MOULDING	TT MACHINES
	237482	TT4045/4055 RED BOTTOM TANK MOULDING	ET MACHINES

Numatic International Spare Parts

Model No: TT/TTB/ET/ETB Machines Top Tank/Separator & Hoses Assy

234947
DRAWING: DRW-13409 ISS: A02
11/04/2013

NB: FOR WIRING SEE DRAWING: N/A



Numatic International Spare Parts

Model No: TT/TTB/ET/ETB Machines Top Tank/Separator & Hoses Assy

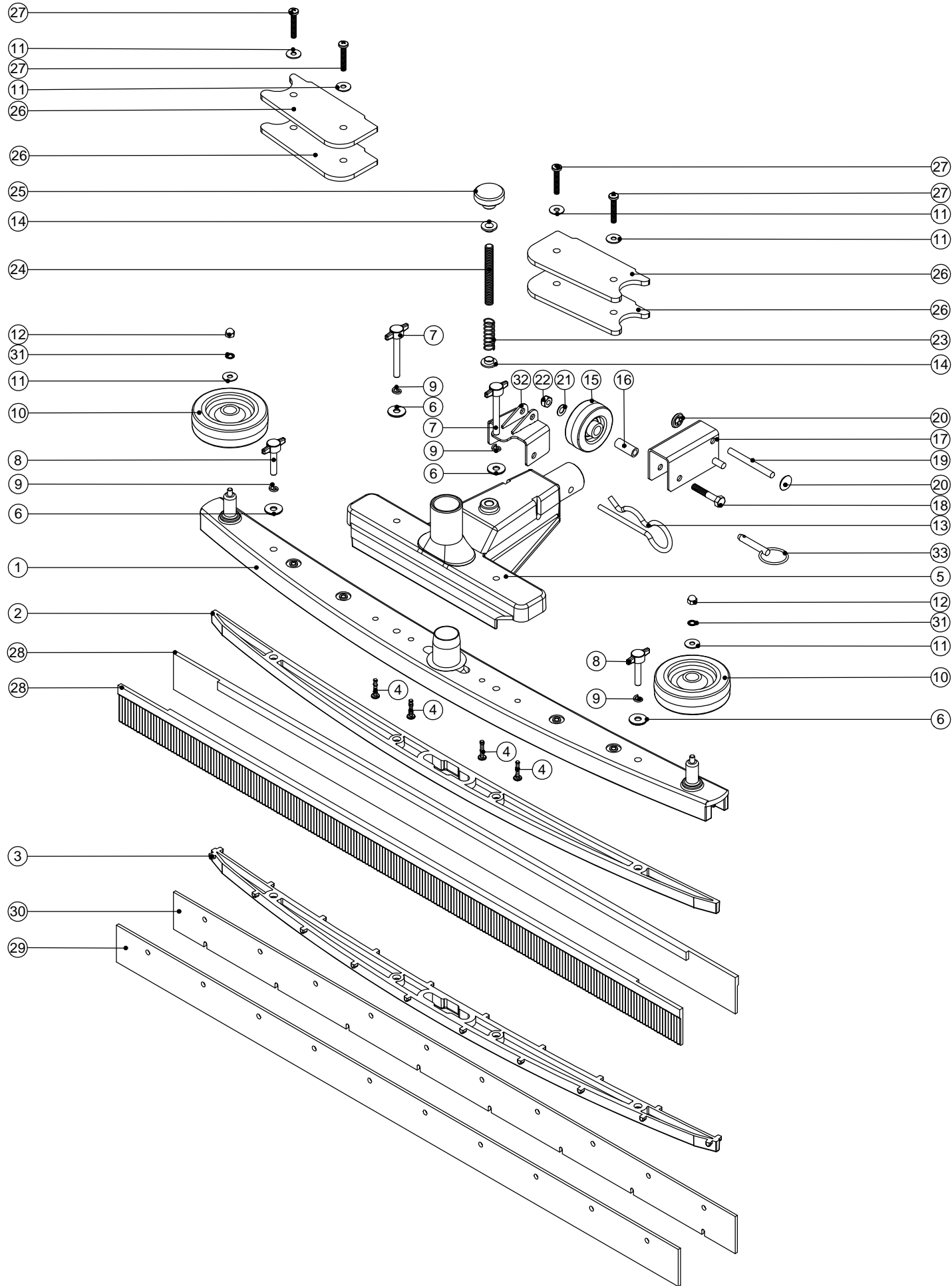
ITEM:	PART No:	DESCRIPTION	COMMENTS:
1	237483	ETB4045/4055 RED TOP TANK MOULDING	ETB VERSION (RED)
	237399	TTB4045/4055 BLUE TOP TANK	TTB VERSION (BLUE)
	237404	TT4045/TT4055 BLUE TOP TANK	TT BLUE TOP TANK (MAINS)
	237481	ET4045/ ET4055 RED TOP TANK	ET RED TOP TANK (MAINS)
2	237382	ACETAL HOSE CLIP MOULDING	
3	219668	M5 X 10MM LONG POZI PAN STAINLESS STEEL SCREW	
4	219016	M5 SHAKEPROOF WASHER	
5	207000	GRIT FILTER BASKET	
6	206209	A.B.A HOSE CLIP	
7	237381	INTERGRATED CHASSIS SEPARATOR	
8	392200	FILTER GASKET RING	
9	237090	SEPARATOR FLOAT MOULDING (MK 2)	
10	237018	38MM DRAIN HOSE CONNECTOR	
11	229494	CLIP MOULDING	
12	219852	NO6 X 1/2 LONG POZI PAN STAINLESS STEEL SELF TAP SCREW	
13	219569	No8 X 1/2 INCH LONG POZI PAN STAINLESS STEEL PLASTITE SCREW	
14	219310	RUBBER WASHER	
15	206315	TUBE END PLUG	
16	207122	BARREL FILTER	
17	206228	DRAIN HOSE CONNECTOR	ET/ETB VERSION (32MM)
	237018	38MM DRAIN HOSE CONNECTOR	TT/TTB VERSION (38MM)
18	206116	BLACK NUT	
19	208591	NEW SEPARATOR GASKET	
20	213047	38MM X 470MM LONG 3:1 STRETCH HOSE C/W CAP & STRAP	
21	206698	1.5 METRE SUCTION HOSE	ET/ETB VERSION (32MM)
	208624	TT/TTB4045/4055 STRETCH HOSE	TT/TTB VERSION (38MM)
22	208588	TT/TTB4045/4055 VAC HOSE	
23	206512	HOSE HOOK	ET/ETB VERSION ONLY

Numatic International Spare Parts

234953
DRAWING: DRW-13414 ISS:A01
05/03/2013

Model No: SMALL PLASTIC FLOOR TOOL ASSEMBLY EXPLODED DRAWING

NB: FOR WIRING SEE DRAWING: N/A



Numatic International Spare Parts

Model No: SMALL PLASTIC FLOOR TOOL ASSEMBLY EXPLODED DRAWING

ITEM:	PART No:	DESCRIPTION	COMMENTS:
1	229403	TOP MOULDING (SMALL) PLUS INSERTS	
2	229401	BOTTOM MOULDING	
3	229475	BOTTOM MOULDING C/W LUGS	
4	219568	No8 X 3/4 INCH LONG POZI PAN STAINLESS STEEL SCREW	
5	229370	CENTRE MOULDING + INSERT	
6	219647	M6 FORM G STAINLESS STEEL WASHER	
7	301195	M6 X 50MM TEE KNOB ASSEMBLY	
8	301194	M6 X 30MM TEE KNOB ASSEMBLY	
9	219718	M6 STAINLESS STEEL SPRING WASHER	
10	204068	3 INCH GREY WHEEL	
11	219644	M5 FORM G STAINLESS STEEL WASHER	
12	219645	M5 STAINLESS STEEL DOME NUT	
13	229295	RETAINING PIN	
14	219417	UNIFIED M/C SCREW INSULATOR	
15	215006	2 INCH FLO WHEEL BLACK (GREY TYRE)	
16	204023	24MM FLO WHEEL INSERT	
17	329673	HEIGHT ADJUSTOR BRACKET WELDED ASSEMBLY	
18	219064	M6 X 35MM LONG HEX BOLT	
19	390401	6MM DIA X 60MM LONG STAINLESS STEEL BAR	
20	219402	6MM STAINLESS STARLOCK WASHER + CAP	
21	219007	M6 FORM B WASHER	
22	219642	M6 STAINLESS STEEL NYLON INSERT NUT	
23	219312	COMPRESSION SPRING	
24	229283	HEIGHT ADJUSTMENT SHAFT	
25	215008	ADJUSTING KNOB	
26	429067	WEIGHT (PAINTED SILVER GREY)	
27	219720	M5 X 30MM LONG STAINLESS STEEL POZI PAN SCREW	
28	217349	790MM LONG FIXED FLOOR TOOL (FRONT & REAR) RUBBER BLADE	
29	217287	790MM LONG FIXED FLOOR TOOL POLYURETHANE BACK BLADE	
30	217286	790MM LONG FIXED FLOOR TOOL POLYURETHANE FRONT BLADE	
31	219016	M5 SHAKEPROOF WASHER	
32	304448	ETB LIFTING BRACKET WELD ASSEMBLY	
33	206953	DETENT PINS	

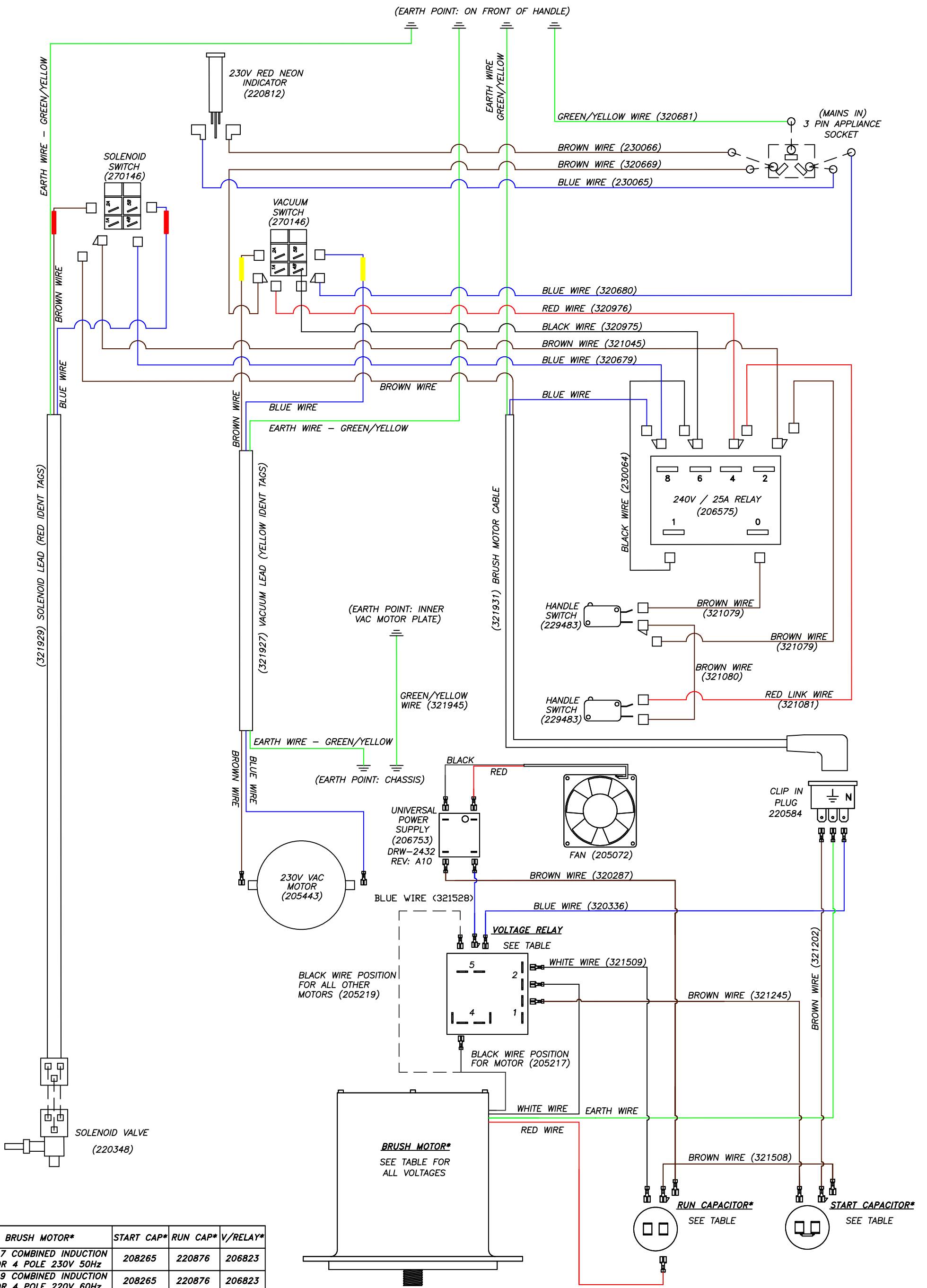
WIRING DIAGRAM

COMP. No
123379

DRG. No
DRW-11855

MAINS TWINTEC TT4045 / TT4055 / ET4045 - 220V & 230V

ISSUE	REVISION	DRAWN	APPD.	DATE
A03	LOOM 321927 CHANGED TO BOTH PUSH ON TERMAIALS. 230V VAC MOTOR NOW SUPPLIED WITH BOTH PUSH ON TERMINALS. VAC MOTOR NOW 205443.	AM	DL	17:04:13



BRUSH MOTOR*	START CAP*	RUN CAP*	V/RELAY*
205217 COMBINED INDUCTION MOTOR 4 POLE 230V 50Hz	208265	220876	206823
205219 COMBINED INDUCTION MOTOR 4 POLE 220V 60Hz	208265	220876	206823