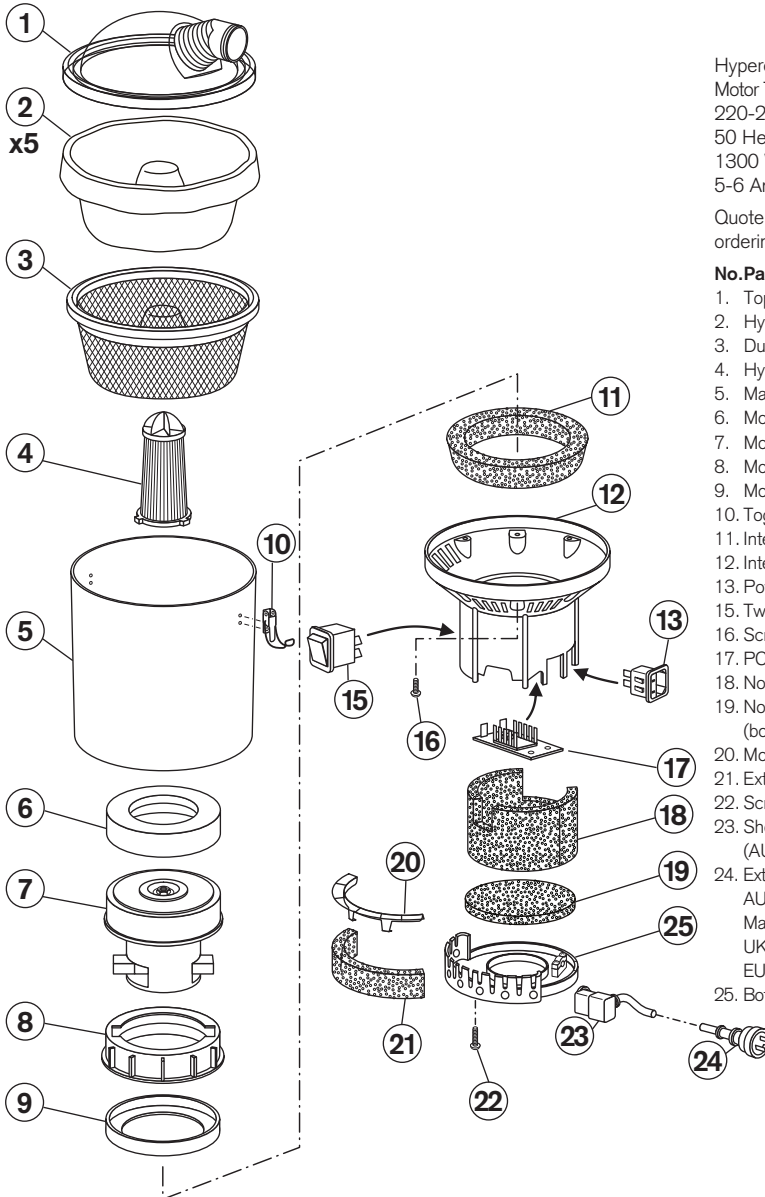


Parts Profile - **Superpro wispa700**

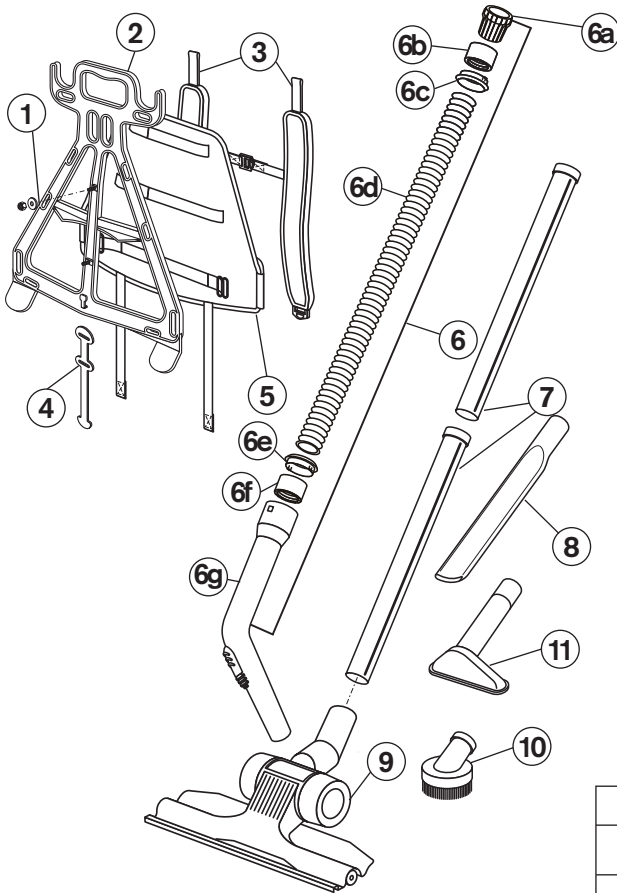


Hypercone™ Air Flow System
 Motor Type: Single Stage Flow-Through
 220-240 volts
 50 Hertz
 1300 Watts + 200 Watts Outlet
 5-6 Amps

Quote these part numbers when ordering spare parts

No. Part Name	Part No.
1. Top dome lid	KC251
2. Hypercone paper bag	AF101
3. Dust bag	KC502HC
4. Hypercone HEPA filter	KC270
5. Main vacuum canister	KC252W
6. Motor gasket (foam)	KC253B
7. Motor 240v 1300w	G1 18
8. Motor spacer	KC253S
9. Motor gasket	KC253
10. Toggle latch	KC131
11. Intermediate filter	P254
12. Intermediate housing	KC256HC
13. Power inlet (HC)	KC257HC
15. Two way switch	VS261W
16. Screw 5x20 (plastite)	PV298
17. PCB board	G2SV2
18. Noise insulation (motor)	P255
19. Noise insulation (bottom lid)	P255B
20. Motor filter cage	KC264
21. External noise insulation	P259
22. Screw 6x25	
23. Short lead (HC) (AU Only)	KC109HC
24. Extension lead AU, NZ, ZA	KC11118
Mains cable lead: UK, SG, IN, AE	KC108UKIEC
EU	KC108EUIEC
25. Bottom cap	KC258

Superpro 700 Series Harness, Accessories & Optional Extras



No.	Part Name	Part No.
1.	Bolt 5x20 Nut 5mm nyloc Washers 3/16 x3/4 & 3/16 x7/16	
2.	Frame	KC120
3.	Shoulder strap	KC121
4.	Cord restraint	KC268
5.	Back support, Padding and waist straps	KC263
6.	Vacuum hose complete	KC320
6a.	Machine end connector	KC200
6b.	Hose cuff hull	UA914
6c.	Hose clip ring	UA915
6d.	Vacuum hose	KC350
6e.	Hose clip ring	UA915
6f.	Hose cuff hull	UA914
6g.	Bent hand piece	KC330
7.	Two piece wand	KC9092
8.	Crevice tool	KC911
9.	Combination floor tool with wheels	UA908W
10.	Dusting brush	KC910
11.	Upholstery tool	KC912

OPTIONAL EXTRAS

Part No. KC928 Powerhead set complete	Part No. KC909 Extendable wand
NOTE: Not suitable for commercial use	

Part No. UA908 Combination floor tool 	Part No. UA9272 Bottom plate to suit combination floor tool 	Part No. UA917H All purpose floor tool
Part No. UP112PB Plug in RCD adaptor 	Part No. UA926 Turbo head 	Part No. UA913M Metal bent hand piece