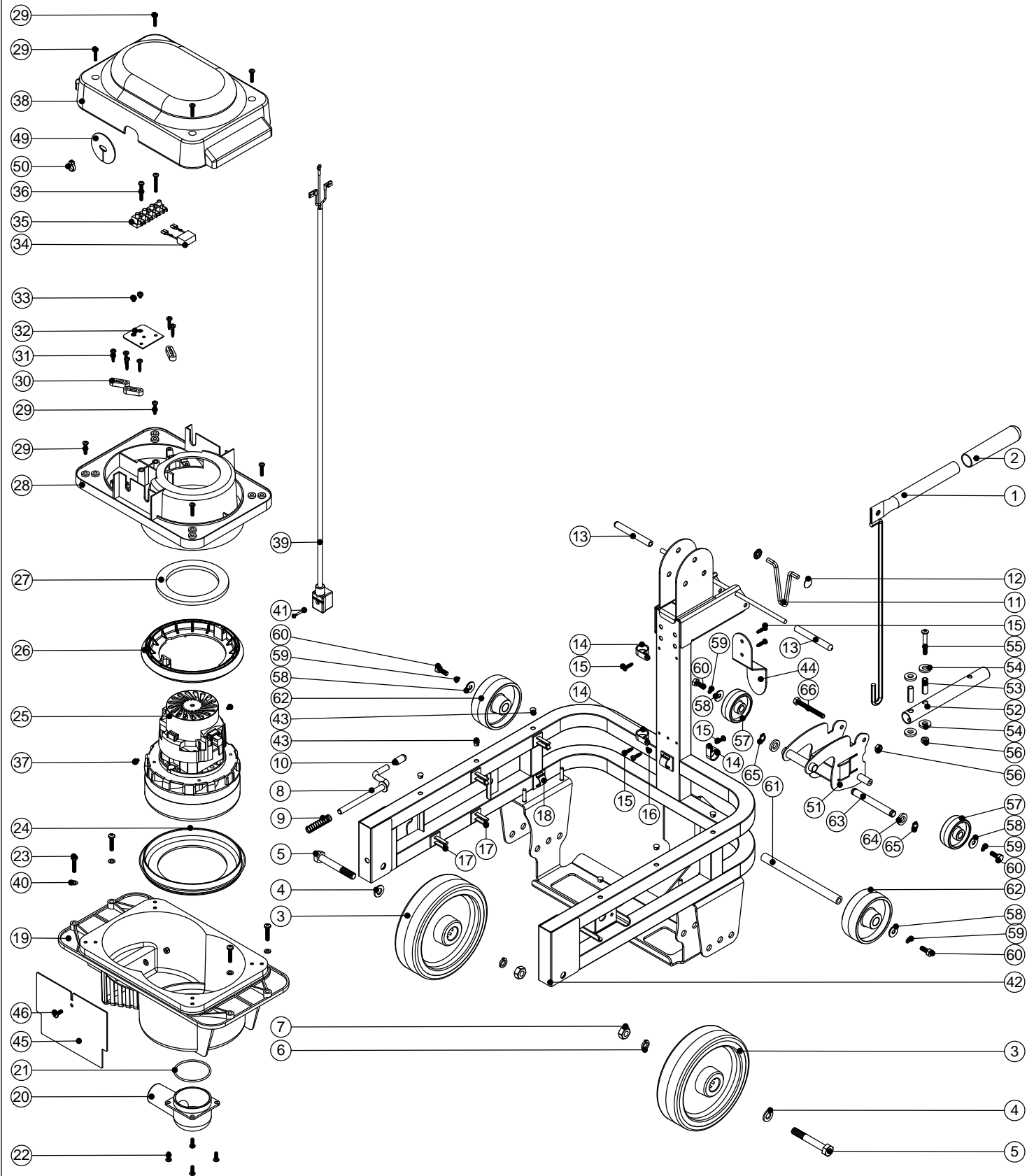


Numatic International Spare Parts

Model No:TT-3450/TT-4500/TT-4550 Chassis & Vac Pod Assy

234274
DRAWING: EXP-0705 ISS:A05
19/08/2009



Numatic International Spare Parts

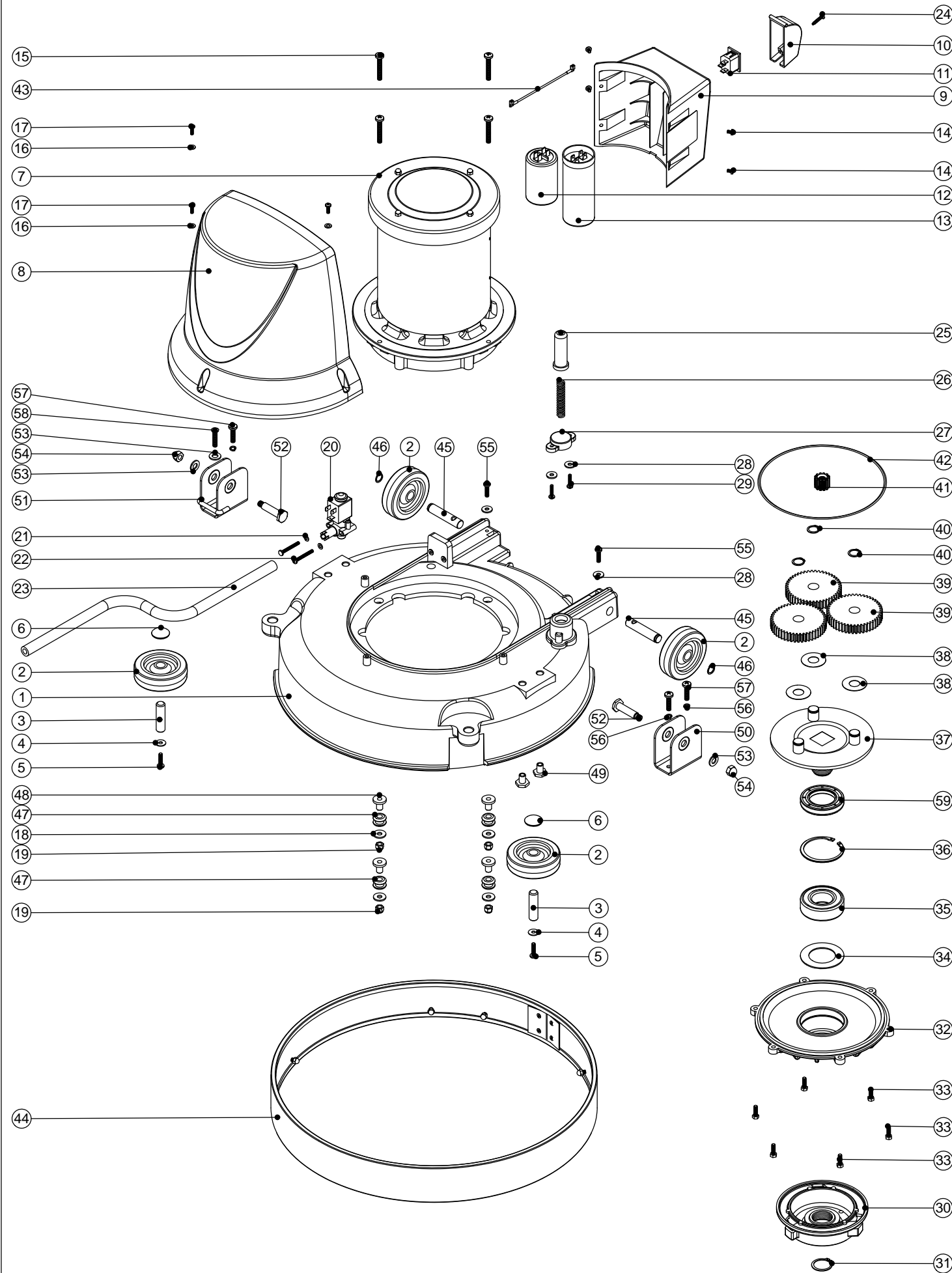
Model No:TT-3450/TT-4500/TT-4550 Chassis & Vac Pod Assy

POS:	ITEM NO:	DESCRIPTION:	COMMENTS:
1	303438	LIFTING HANDLE WELDED ASSEMBLY	
2	229344	3/4 INCH HAND GRIP	
3	204080	160MM DIA WHEEL / POLYURETHENE TYRE (GREY - RAL 7042) C/W SPACER	
4	219449	M10 FORM A WASHER	
5	219570	M10 X 70MM LONG HEX BOLT	
6	219349	M10 SINGLE COIL WASHER	
7	219074	M10 FULL NUT	
8	303406	LATCHING ROD WELDED ASSEMBLY	
9	219873	COMPRESSION SPRING (STAINLESS STEEL)	
10	229240	END TIP	
11	303439	PIVOT ROD	
12	21926V	6MM CHROME HUB CAP	
13	229007	ROD CAP	
14	219514	P-CLIP	
15	219036	No8 X 5/8 INCH LONG POZI PAN SELF TAPPING SCREW	
16	219015	M4 SHAKEPROOF WASHER	
17	219464	CLIP (24MM HIGH)	
18	220403	CABLE CLIP	
19	303904	BOTTOM MOTOR HOUSING (PROCESSED / STANDARD MATERIAL)	STANDARD MACHINES
	303905	BOTTOM MOTOR HOUSING (PROCESSED / FLAME RETARDENT)	120V CSA MACHINES
20	229207	INLET TUBE	
21	219561	51.6MM I/D O RING	
22	219569	No8 X 1/2 INCH LONG POZI PAN STAINLESS STEEL PLASTITE SCREW	
23	219575	M5 X 25MM LONG POZI PAN STAINLESS STEEL SCREW	
24	202111	BOTTOM MOTOR GASKET	
25	205411	240V 2 STAGE D.I BYPASS ACUSTEK MOTOR (BL21104)(MARKED 230V)	
	205409	120V 2 STAGE D.I BYPASS ACUSTEK MOTOR (BL21104)	
26	202107	TOP MOTOR GASKET	
27	202078	MOTOR CAP GASKET	
28	229998	VAC POD TOP MOTOR HOUSING C/W TAPPEX	STANDARD MACHINES
	229993	VAC POD TOP MOTOR HOUSING C/W TAPPEX	120V CSA MACHINES
29	219568	No8 X 3/4 INCH LONG POZI PAN STAINLESS STEEL SCREW	
30	227008	BLACK CABLE CLAMP	
31	219107	No6 X 5/8 INCH LONG POZI PAN PLASTITE SCREW	
32	303291	TERMINAL BLOCK FIXING BRACKET	
33	219090	M4 X 8MM LONG POZI PAN SEMS SCREW	
34	321068	SUPPRESSOR ASSEMBLY	
35	220204	TERMINAL BLOCK	
36	219321	M4 X 30MM LONG POZI PAN SCREW	
37	219566	M4 X 6MM LONG POZI PAN SCREW	
38	229206	VAC POD TOP COVER MOULDING	STANDARD MACHINES
	227233	VAC POD TOP COVER MOULDING	120V CSA MACHINES
39	320533	SOLENOID VALVE LEAD ASSEMBLY (MOULDED PLUG)	STANDARD MACHINES
	320534	SOLENOID VALVE LEAD ASSEMBLY (C/W MPM CONNECTOR)	120V CSA MACHINES
40	219003	M5 FORM A STEEL WASHER	
41	219694	M3 X 25MM LONG MPM CONNECTOR SCREW	
42	303597	CHASSIS WELDED ASSEMBLY (STAINLESS STEEL)	
43	219548	HOLE PLUG	
44	329431	HOSE RETAINING BRACKET	
45	392009	DIVERTER PLATE	
46	219740	M5 X 12MM LONG STAINLESS STEEL POZI PAN SCREW	
47	219355	M5 FORM A STAINLESS STEEL WASHER	
48	219633	M5 STAINLESS STEEL NYLON INSERT NUT	
49	392010	DIVERTER DISC	
50	220007	CABLE TIE (BLACK)	
51	303901	FLOOR TOOL CONNECTOR WELDED ASSEMBLY	
52	303902	FLOOR TOOL PIVOT TUBE	
53	206954	SPIRO SPACER	
54	206964	SLIDE NYLON SPACER	
55	219807	M6 X 40MM LONG SOCKET BUTTON HEAD BOLT	
56	219642	M6 STAINLESS STEEL NYLON INSERT NUT	
57	206712	50MM DIAMETER BLACK WHEEL	
58	219647	M6 FORM G STAINLESS STEEL WASHER	
59	219718	M6 STAINLESS STEEL SPRING WASHER	
60	219719	M6 X 16MM LONG HEXAGONAL STAINLESS STEEL HEAD BOLT	
61	208181	TAPPED REAR AXLE	
62	206713	80MM DIAMETER BLACK WHEEL	
63	208180	CHARIOT PIVOT TUBE	
64	219964	NYLON WASHER (18MM O/D X 10.4MM I/D X 3MM THICK)	
65	219586	10MM EXTERNAL CIRCLIP	
66	219224	M6 X 55MM LONG HEX HEAD BOLT	

Numatic International Spare Parts

Model No: TT-3450 Base / Deck Assembly

234275
DRAWING: EXP-0706 ISS:A05
14/01/2010



Numatic International Spare Parts

Model No: TT-3450 Base / Deck Assembly

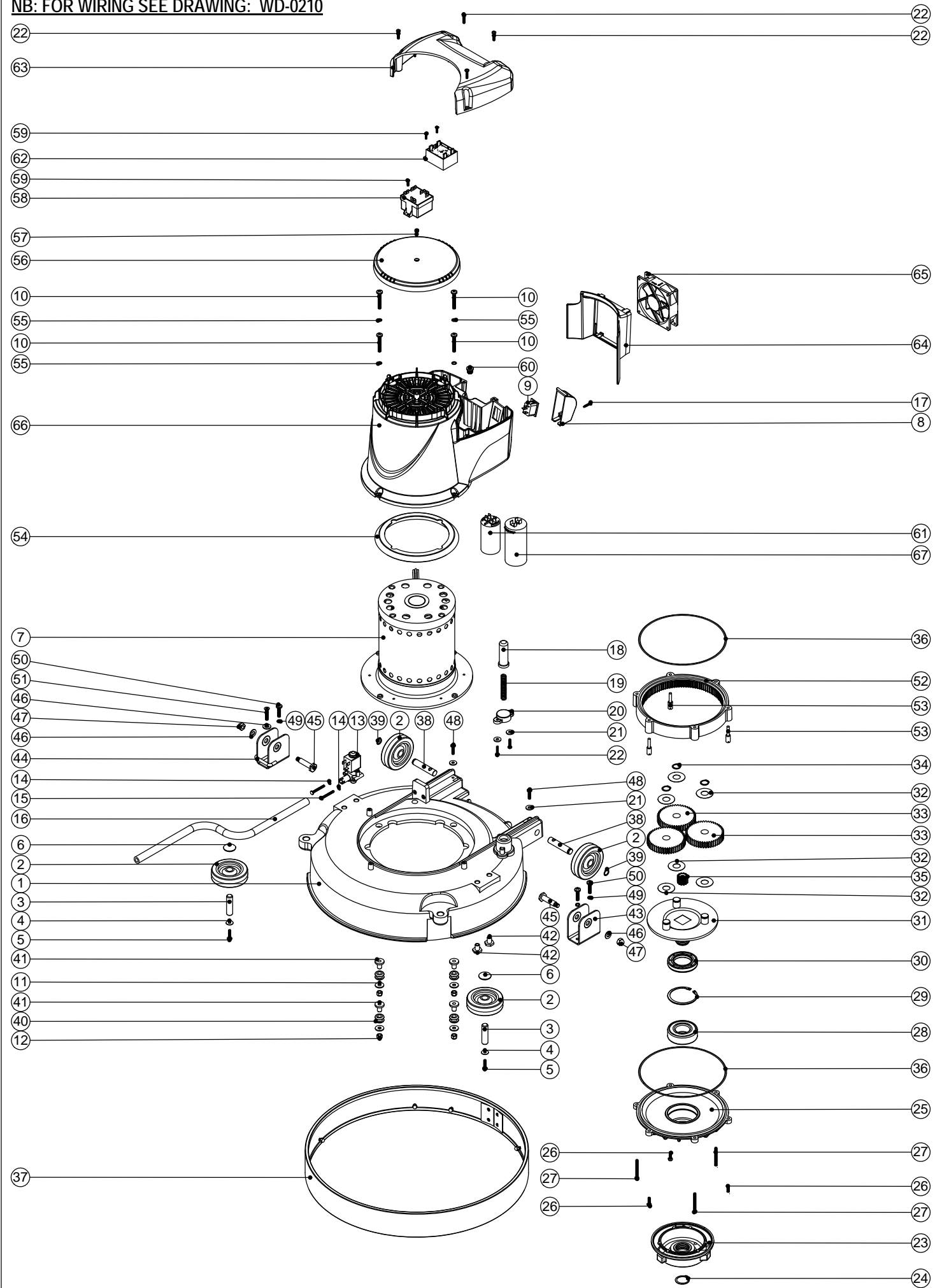
POS:	ITEM NO:	DESCRIPTION:	COMMENTS:
1	329392	INSERTED GREY BASE MOULDING ASSEMBLY	
2	204068	3 INCH GREY WHEEL	
3	206013	BUFFER WHEEL PIN	
4	219644	M5 FORM G STAINLESS STEEL WASHER	
5	219571	M5 X 20MM LONG POZI PAN STAINLESS STEEL SCREW	
6	204021	12.7MM STAINLESS STEEL HUB CAP	
7	205003	MOTOR 240V / 50Hz / 1000W (MQP574NMCNG487D)	
	205014	MOTOR 220V / 60Hz / 1000W	
	205011	MOTOR 110V / 50Hz / 1000W	
	205013	MOTOR 120V / 60Hz / 1000W	
8	229498	MOTOR COVER (MAINS MACHINES)	
9	229141	CAPACITOR BOX MOULDING	
10	229213	PLUG COVER	
11	220584	RENDAR CLIP IN PLUG	
12	220024	MOTOR RUN CAPACITOR 10 MFD	240V MACHINES
	220103	MOTOR RUN CAPACITOR 40 MFD	220V / 110V & 120V MACHINES
13	220022	MOTOR START CAPACITOR 100 MFD	240V MACHINES
	220117	MOTOR START CAPACITOR 150 MFD	220V MACHINES
	208210	MOTOR START CAPACITOR 480 MFD C/W RESISTOR & M8 STUD	110V & 120V MACHINES
14	219095	M4 X 6MM LONG POZI PAN TAPTITE SCREW	
15	219483	M6 X 40MM LONG POZI PAN SEMS SCREW	
16	219355	M5 FORM A STAINLESS STEEL WASHER	
17	219569	No8 X 1/2 INCH LONG POZI PAN STAINLESS STEEL PLASTITE SCREW	
18	219008	M6 FORM G WASHER	
19	219088	M6 NYLON INSERT NUT	
20	220348	SOLENOID VALVE 240V 50/60HZ	
	220349	SOLENOID VALVE 220V 50/60HZ	
	220350	SOLENOID VALVE 110V 50HZ	
	220425	SOLENOID VALVE 110/120V 50/60HZ	
21	219206	M4 FORM A WASHER	
22	219703	M4 X 35MM LONG STAINLESS STEEL POZI PAN SCREW	
23	303248	900MM LONG SILICON TUBE	
24	219107	No6 X 5/8 INCH LONG POZI PAN PLASTITE SCREW	
25	229128	PLUNGER	
26	219394	COMPRESSION SPRING	
27	223242	PLUNGER MOUNTING PLATE MOULDING	
28	219005	M5 FORM G WASHER	
29	219568	No8 X 3/4 INCH LONG POZI PAN STAINLESS STEEL SCREW	
30	230207	CHUCK	
31	230048	26MM EXTERNAL CIRCLIP	
32	230208	DIE CAST BOTTOM PLATE ASSEMBLY	
33	219051	M5 X 16MM LONG HEX SCREW	
34	219261	61.8/62MM OD 38/38.2 ID BLACK WASHER	
35	230094	62MM O/D X 30MM I/D X 20MM BEARING (WITH SEALS)	
36	230200	62MM INTERNAL CIRCLIP	
37	230291	PLANET CARRIER & PIN ASSEMBLY (50HZ STANDARD SPEED)	
38	230215	35MM X 15 I/D ALUMINIUM WASHER	
39	230013	48 TOOTH SPUR GEAR(STANDARD SPEED 50/60HZ)	
40	230015	15MM EXTERNAL CIRCLIP	
41	230027	12 TOOTH PINION GEAR (STANDARD SPEED)	
42	230001	V OIL SEAL	
43	220119	100MM LONG BROWN LINK WIRE	
44	304043	SPLASH SKIRT ASSEMBLY	
45	229382	REAR WHEEL PIN	
46	219345	12MM EXTERNAL CIRCLIP	
47	229025	STANDARD GROMMET	
48	208011	MOTOR MOUNTING SPACER	
49	219606	BRACKET SPACER	
50	403210	NON LOCKING PIVOT BRACKET	
51	404041	PIVOT BRACKET WELDED ASSEMBLY	
52	206236	PIVOT PIN	
53	219010	M8 FORM A WASHER	
54	219077	M8 DOMENUT	
55	219546	M5 X 20MM LONG POZI PAN SEMS SCREW	
56	219549	M6 SINGLE COIL WASHER	
57	219056	M6 X 25MM LONG POZI PAN SCREW	
58	219506	M6 X 25MM LONG POZI PAN COUNTERSUNK SCREW	
59	230158	VITON OIL SEAL (BROWN)	

Numatic International Spare Parts

Model No: TT-3450 Base / Deck Assembly

234675
DRAWING: DRW-4419 ISS: A03
17/05/2010

NB: FOR WIRING SEE DRAWING: WD-0210



Numatic International Spare Parts

Model No: TT-3450 Base / Deck Assembly

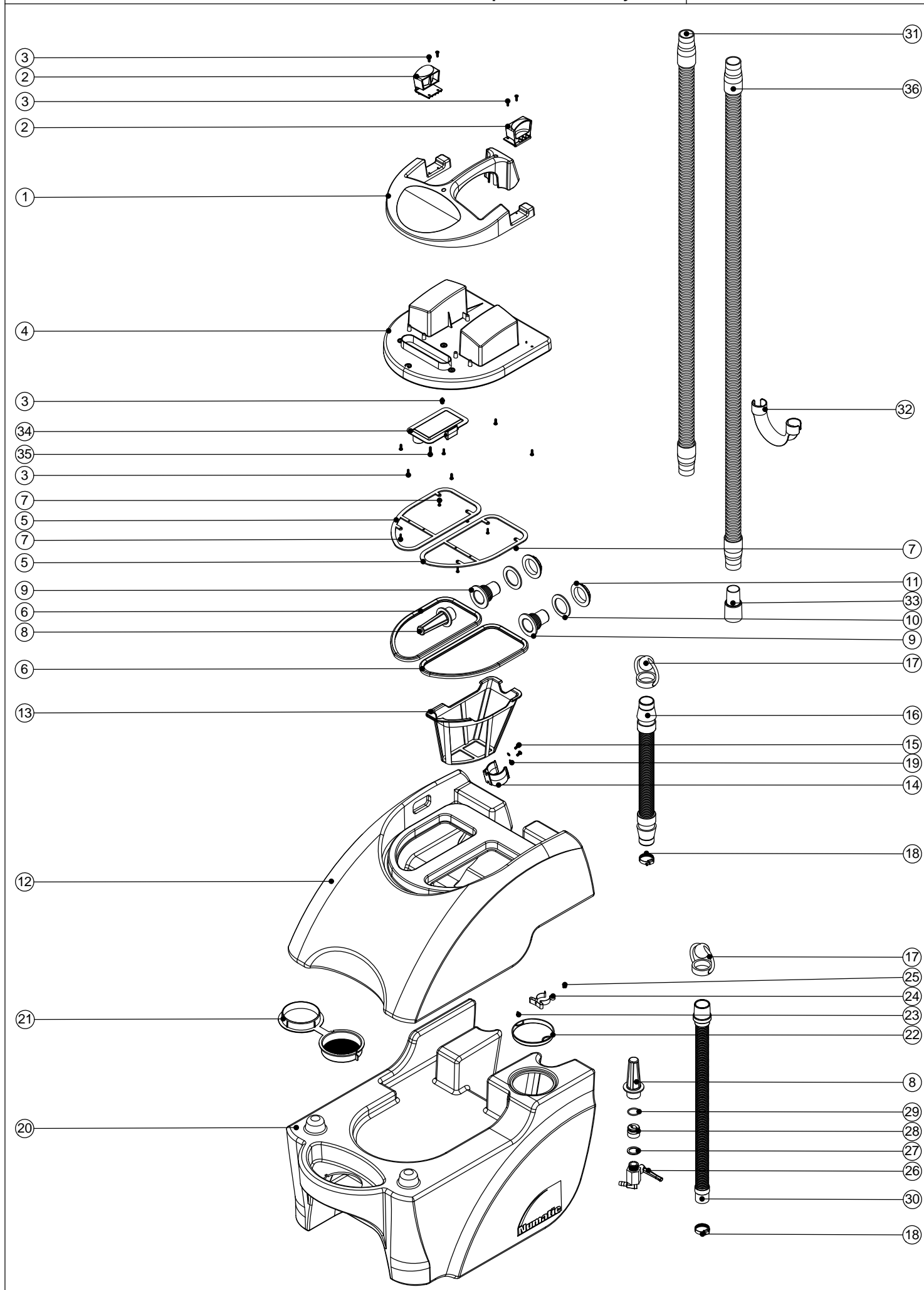
POS:	ITEM NO:	DESCRIPTION:	COMMENTS:
1	329392	INSERTED GREY BASE MOULDING ASSEMBLY	
2	204068	3 INCH GREY WHEEL	
3	206013	BUFFER WHEEL PIN	
4	219644	M5 FORM G STAINLESS STEEL WASHER	
5	219571	M5 X 20MM LONG POZI PAN STAINLESS STEEL SCREW	
6	204021	12.7MM STAINLESS STEEL HUB CAP	
7	205217	COMBINED INDUCTION MOTOR 4POLE 220-240V 50Hz	
	205219	COMBINED INDUCTION MOTOR 4POLE 220V 60Hz	
	205220	COMBINED INDUCTION MOTOR 4POLE 120V 60Hz	
	205221	COMBINED INDUCTION MOTOR 4POLE 110V 50Hz	
8	229213	PLUG COVER	
9	220584	RENDAR CLIP IN PLUG	
10	219982	M6 X 40MM LONG POZI PAN STAINLESS STEEL SCREW	
11	219008	M6 FORM G WASHER	
12	219088	M6 NYLON INSERT NUT	
13	220348	SOLENOID VALVE 240V 50/60HZ	220V & 230V MACHINES
	220350	SOLENOID VALVE 110V 50/60HZ	110V & 120V MACHINES
14	219206	M4 FORM A WASHER	
15	219703	M4 X 35MM LONG STAINLESS STEEL POZI PAN SCREW	
16	303248	900MM LONG SILICON TUBE	
17	219107	No6 X 5/8 INCH LONG POZI PAN PLASTITE SCREW	
18	229128	PLUNGER	
19	219394	COMPRESSION SPRING	
20	223242	PLUNGER MOUNTING PLATE MOULDING	
21	219005	M5 FORM G WASHER	
22	219568	No8 X 3/4 INCH LONG POZI PAN STAINLESS STEEL SCREW	
23	230207	CHUCK	
24	230048	26MM EXTERNAL CIRCLIP	
25	230208	DIE CAST BOTTOM PLATE ASSEMBLY	
26	219904	M5 X 16MM LONG HEXAGONAL STAINLESS STEEL BOLT	
27	219706	M5 X 45MM LONG STAINLESS STEEL HEXAGONAL BOLT	
28	230094	62MM O/D X 30MM I/D X 20MM BEARING (WITH SEALS)	
29	230200	62MM INTERNAL CIRCLIP	
30	230158	VITON OIL SEAL (BROWN)	
31	230291	PLANET CARRIER & PIN ASSEMBLY (50HZ STANDARD SPEED)	
32	230215	35MM X 15 I/D ALUMINIUM WASHER	
33	230013	48 TOOTH SPUR GEAR(STANDARD SPEED 50/60HZ)	
34	230015	15MM EXTERNAL CIRCLIP	
35	230027	12 TOOTH PINION GEAR (STANDARD SPEED)	
36	230001	V OIL SEAL	
37	304043	SPLASH SKIRT ASSEMBLY	
38	229382	REAR WHEEL PIN	
39	219345	12MM EXTERNAL CIRCLIP	
40	229025	STANDARD GROMMET	
41	208011	MOTOR MOUNTING SPACER	
42	219606	BRACKET SPACER	
43	403210	NON LOCKING PIVOT BRACKET	
44	404041	PIVOT BRACKET WELDED ASSEMBLY	
45	206236	PIVOT PIN	
46	219010	M8 FORM A WASHER	
47	219077	M8 DOMENUT	
48	219546	M5 X 20MM LONG POZI PAN SEMS SCREW	
49	219549	M6 SINGLE COIL WASHER	
50	219056	M6 X 25MM LONG POZI PAN SCREW	
51	219506	M6 X 25MM LONG POZI PAN COUNTERSUNK SCREW	
52	214115	GEAR BOX MID SECTION	
53	208207	GEARBOX FASTENER WITH SLOT	
54	227556	TOP MOTOR GASKET	
55	219544	M6 SHAKEPROOF WASHER	
56	229971	CAP MOULDING	
57	219471	M4 X 12MM LONG POZI PAN SEMS SCREW	
58	206823	230V SINGLE SPEED VOLTAGE RELAY	220V & 230V MACHINES
	206822	110V/120V VOLTAGE RELAY	110V & 120V MACHINES
59	219318	No6 X 1/2 INCH LONG POZI PAN PLASTITE SCREW	
60	219453	M8 MULTISERT	
61	220876	20 MFD MOTOR RUN CAPACITOR (450V)	220V & 230V MACHINES
	208211	80uF MOTOR RUN CAPACITOR	120V MACHINES
	208219	70uF RUN CAPACITOR	110V MACHINES
62	206753	UNIVERSAL POWER SUPPLY	
63	237071	GRAPHITE LID MOULDING	
64	229972	FAN GUARD MOULDING	
65	205072	PROCESSED 12V DC BRUSHLESS FAN	
66	328132	GRAPHITE MOTOR COWL MOULDING PRINTED	
67	208265	MOTOR START CAPACITOR 100 MFD C/W RESISTOR & M8 STUD	220V & 230V MACHINES
	208210	MOTOR START CAPACITOR 430-516uF PLASTIC CASE.DOUBLE 6.3MM TERMINALS & STUD	110V & 120V MACHINES

Numatic International Spare Parts

ModelNo:TTB4500/100ST/TT3450S/TT3450C/TTB3450S/TTB3450C/TT4500S/TT4550S/
TTB4500S/TTB4552S/TTB3450CRS/TTB4552/100ST Tank / Separator Assembly

234276

DRAWING: EXP-0707 ISS:A19
11/05/2010



Numatic International Spare Parts

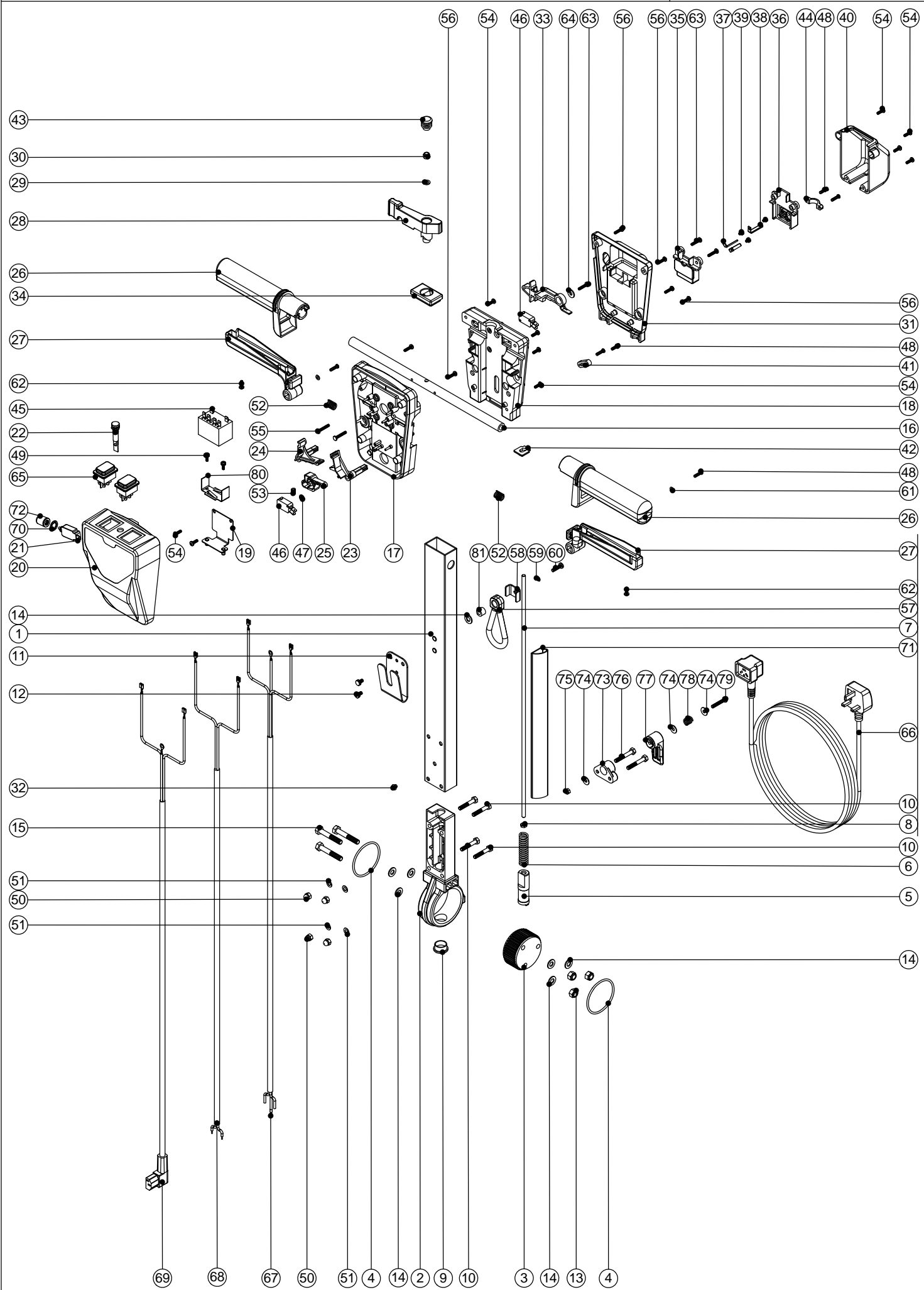
ModelNo:TTB4500/100ST/TT3450S/TT3450C/TTB3450S/TTB3450C/TT4500S/TT4550S/TTB4500S/
TTB4552S/TTB3450CRS/TTB4552/100ST Tank / Separator Assembly

POS:	ITEM NO:	DESCRIPTION:	COMMENTS:
1	229493	SEPARATOR TOP	
2	229494	CLIP MOULDING	
3	219569	No8 X 1/2 INCH LONG POZI PAN STAINLESS STEEL PLASTITE SCREW	
4	303604	PROCESSED SEPARATOR MOULDING (S TYPE)	
5	329408	GASKET SUPPORT RING	
6	202110	SEALING GASKET	
7	219852	NO6 X 1/2 LONG POZI PAN STAINLESS STEEL SELF TAP SCREW	
8	206265	BARREL FILTER	
9	206228	DRAIN HOSE CONNECTOR	
10	219310	RUBBER WASHER	
11	206116	BLACK NUT	
13	229488	BLUE TOP TANK	TT3450S/TTB3450S/TTB3450C/TT3450C/TTB3450CRS
	229490	BLUE TOP TANK	TT4550S/TTB4500S/TTB4552S/TT4500/TTB4500/100ST/TTB4552/100ST
13	207000	GRIT FILTER BASKET	
14	229762	HOSE CLIP MOULDING	
15	219668	M5 X 10MM LONG POZI PAN STAINLESS STEEL SCREW	
16	206842	420MM LONG BLACK STRETCH HOSE C/W CUFFS	
17	206111	HOSE CLOSURE	
18	219674	30/40MM DIAMETER STAINLESS STEEL JUBILEE CLIP	
19	219016	M5 SHAKEPROOF WASHER	
20	229491	BLUE BOTTOM TANK	TT3450S
	229489	BLUE BOTTOM TANK	TTB4500S/TTB4552S/TTB4500/100ST/TTB4552/100ST
	229536	BLUE BOTTOM TANK	TT4550S/TTB4500S
	229487	BLUE BOTTOM TANK	TTB3450S/TTB3450C/TT3450C/TTB3450CRS
21	229282	FILTER CAP	
22	219452	100MM DIAMETER HOLE PLUG	
23	219688	M4 FORM A STAINLESS STEEL WASHER	
24	219665	TOOL CLIP	
25	219697	M4 X 8MM LONG POZI PAN STAINLESS STEEL SCREW	
26	206597	TANK TAP	
27	219974	BONDED WASHER 5/8 BSP NON S/C	
28	206274	FILTER CONNECTOR	
29	219626	23MM I/D X 2.5MM SECTION O RING	
30	213025	600MM - 630MM LONG DUMP HOSE ASSEMBLY	
31	206697	1300MM LONG SUCTION HOSE	TTB3450S/TTB4500S/TTB4552S (VAC HOSE)
	206698	1500MM LONG SUCTION HOSE	TTB3450C/TT3450C (VAC HOSE)
	206696	1200MM LONG SUCTION HOSE	TT3450S/TT4500S/TT4550S (VAC HOSE)
	329787	1600MM LONG SUCTION HOSE	TTB4500/100ST / TTB4552/100ST (VAC HOSE)
	329786	1.85 METER LONG X 32MM DIAMETER SUCTION HOSE	TTB-3450CRS (VAC HOSE)
32	206512	HOSE HOOK	ALL MACHINES EXCEPT TTB3450C
33	237220	38/32MM ADAPTOR	ALL MACHINES EXCEPT TTB3450C
34	237090	SEPARATOR FLOAT MOULDING (MK 2)	
35	219568	No8 X 3/4 INCH LONG POZI PAN STAINLESS STEEL SCREW	
36	206698	1500MM LONG SUCTION HOSE	ALL MACHINES:EXCEPT TTB3450C (FLOOR TOOL HOSE)
	329786	1.85 METER LONG X 32MM DIAMETER SUCTION HOSE	TTB3450C & TT3450C (FLOOR TOOL HOSE)

Numatic International Spare Parts

Model No:TT3450/TT3450C/TT4500/TT4550 Handle Assy

234273
DRAWING: EXP-0704 ISS:A10
21/04/2009



Numatic International Spare Parts

Model No:TT3450/TT3450C/TT4500/TT4550 Handle Assy

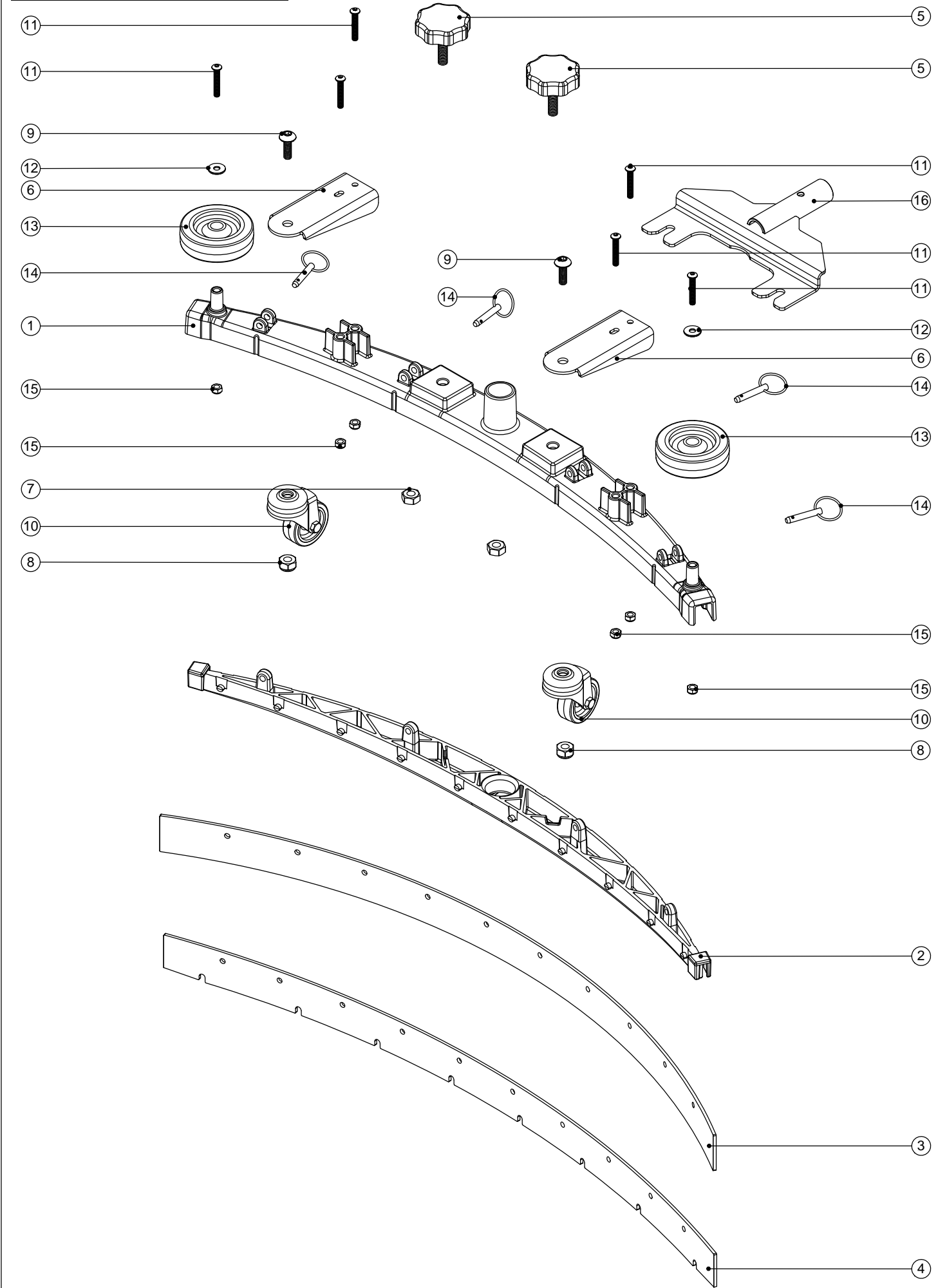
POS:	ITEM NO:	DESCRIPTION:	COMMENTS:
1	429052	500MM PAINTED PROCESSED ALUMINIUM HANDLE	
	429074	430MM PAINTED PROCESSED ALUMINIUM HANDLE	TT3450C MACHINE ONLY
2	229081	HANDLE CASTING MACHINED	
3	229074	ADJUSTMENT GEAR	
4	219254	O RING 3MM DIA X 60MM I/D	
5	229073	GEAR LOCKING PIN	
6	229138	SPRING	
7	229462	510MM HANDLE LOCKING ROD	
	229461	440MM HANDLE LOCKING ROD	TT3450C MACHINE ONLY
8	219099	M6 HALF NUT	
9	229099	25MM DIA HOLE PLUG	
10	219064	M6 X 35MM LONG HEX BOLT	
11	329397	SEPARATOR HANGING BRACKET	
12	219047	M5 X 10MM LONG POZI PAN SEMS SCREW	
13	219078	M8 NYLON INSERT NUT	
14	219010	M8 FORM A WASHER	
15	219091	M8 X 50MM LONG HEX BOLT	
16	338269	CROSS TUBE	
17	227576	FRONT INNER HALF MOULDING	
	229508	FRONT INNER HALF MOULDING	FLAME RETARDANT CSA SPEC
18	227577	REAR INNER HALF MOULDING	
	329484	MODIFIED REAR INNER HALF MOULDING	FLAME RETARDANT CSA SPEC
19	303526	NUTSERTED RELAY MOUNTING BRACKET	
20	229750	FRONT COVER MOULDING (MAINS + C B HOLE)	
	229751	FRONT COVER MOULDING (MAINS + C B HOLE)	FLAME RETARDANT CSA SPEC
21	220440	8 AMP OVERLOAD	
	220441	16 AMP OVERLOAD	120V MACHINES
22	220812	230V NEON INDICATOR & RED LENS	
	220813	120V NEON INDICATOR & RED LENS	
23	227585	LEFT HAND SWITCH OPERATING LEVER MOULDING	
24	227586	RIGHT HAND SWITCH OPERATING LEVER MOULDING	
25	227587	CENTRE SWITCH OPERATING LEVER MOULDING	
26	227580	HAND GRIP MOULDING	
27	229500	TRIGGER MOULDING BLUE	
28	227583	ADJUSTMENT LEVER MOULDING	
29	219493	M6 NYLON WASHER	
30	219088	M6 NYLON INSERT NUT	
31	227676	REAR COVER	
	229507	REAR COVER	FLAME RETARDANT CSA SPEC
32	229009	BLANKING PLUG	
33	227584	INTERLOCK LEVER MOULDING	
34	227582	HANDLE PLUG MOULDING	
35	227691	TERMINAL BLOCK	
	229510	TERMINAL BLOCK	FLAME RETARDANT CSA SPEC
36	227680	TERMINAL BLOCK COVER	
	229511	TERMINAL BLOCK COVER	FLAME RETARDANT CSA SPEC
37	206562	CONTACT PIN	
38	206563	EARTH CONTACT PIN	
39	219090	M4 X 8MM LONG POZI PAN SEMS SCREW	
40	227678	SOCKET COVER	
	229512	SOCKET COVER	FLAME RETARDANT CSA SPEC
41	227008	BLACK CABLE CLAMP	
	329485	BLACK CABLE CLAMP	FLAME RETARDANT CSA SPEC
42	227666	BLANKING PLUG	
43	20638V	CSP-302 BLACK TUBE END STOP	
44	216290	CABLE CLAMP	
45	206575	240V / 25A RELAY	
	206576	120V / 25A RELAY & BRACKET	
46	229483	SNAP ACTION SWITCH	
47	219805	4MM SPIREX	
48	219107	No6 X 5/8 INCH LONG POZI PAN PLASTITE SCREW	
49	219471	M4 X 12MM LONG POZI PAN SEMS SCREW	
50	219080	M6 DOMENUT	
51	219007	M6 FORM B WASHER	
52	219803	TRIGGER COMPRESSION SPRING	
53	219804	SWITCH COMPRESSION SPRING	
54	219569	No8 X 1/2 INCH LONG POZI PAN STAINLESS STEEL PLASTITE SCREW	
55	219811	NO8 X 1 INCH LONG POZI-PAN SELF TAP SCREW	
56	219105	No8 X 5/8 INCH LONG POZI PAN PLASTITE SCREW	
57	226008	STRESS RELIEF	
58	329231	STRESS RELIEF BRACKET	
59	219016	M5 SHAKEPROOF WASHER	
60	219054	M5 X 20MM LONG POZI PAN SCREW	
61	219206	M4 FORM A WASHER	
62	219270	No8 X 1/2 INCH LONG POZI PAN SELF TAP SCREW	
63	219568	No8 X 3/4 INCH LONG POZI PAN STAINLESS STEEL SCREW	
64	219005	M5 FORM G WASHER	
65	270146	GREEN ILLUMINATED SWITCH + MEMBRANE	
66	236012	20.0M X 1.50MM X 3 CORE NUCABLE (UK PLUG)	
	236132	20.0M X 1.50MM X 3 CORE YELLOW CABLE X SOCKET (EURO PLUG)	
	236020	20.0M X 1.50MM X 3 CORE NUCABLE (SWISS PLUG)	
	236024	20.0M X 1.50MM X 3 CORE NUCABLE (SOUTH AFRICAN PLUG)	
	236032	20.0M X 1.50MM X 3 CORE NUCABLE (AUSTRALIAN PLUG)	
	236118	20.0M X 1.50MM X 3 CORE NUCABLE (16 AMP INDUSTRIAL PLUG)	
	236028	20.0M X 14AWG X 3 CORE YELLOW CABLE (CSA/USA PLUG)	
67	320737	MK2 VAC MOTOR LEAD ASSEMBLY	
68	320755	MK2 SOLENOID VALVE LEAD ASSEMBLY	
69	320733	MK2 MOTOR LEAD ASSEMBLY	
70	219702	M10 INTERNAL LOCK WASHER	
71	391075	305MM LONG CUT SELF ADHESIVE CABLE DUCTING	
	391074	244MM LONG CUT SELF ADHESIVE CABLE DUCTING	TT3450C MACHINE ONLY
72	220459	OVERLOAD DUST COVER	
73	227806	CABLE RELEASE BASE MOULDING	
74	219644	M5 FORM G STAINLESS STEEL WASHER	TT3450C MACHINE ONLY
75	219076	M5 NYLON INSERT NUT	TT3450C MACHINE ONLY
76	21965V	M6 X 40MM LONG HEX BOLT	TT3450C MACHINE ONLY
77	227807	CABLE RELEASE TOP MOULDING	TT3450C MACHINE ONLY
78	206599	SPRING (REF:C5514370)	TT3450C MACHINE ONLY
79	219720	M5 X 30MM LONG STAINLESS STEEL POZI PAN SCREW	TT3450C MACHINE ONLY
80	206500	RELAY BRACKET	
81	226006	SPACER (BLACK)	

Numatic International Spare Parts

Model No: Twintec Squeegee Assy (650mm Scrub Width/38mm Hose)

234680
DRAWING: DRW-4435 ISS: A02
20/10/2009

NB: FOR WIRING SEE DRAWING: N/A



Numatic International Spare Parts

Model No: Twintec Squeegee Assy (650mm Scrub Width/38mm Hose)

POS:	ITEM NO:	DESCRIPTION:	COMMENTS:
1	208198	(650MM SCRUB WIDTH) ALUMINIUM SQUEEGEE CASTING (38MM HOSE FITTING)	
2	229987	(650MM SCRUB WIDTH) BLADE HOLDER MOULDING (SLOPING PROFILE) (32MM & 38MM HOSE FITTING)	
3	206978	(650MM SCRUB WIDTH) REPLACEMENT (3.2MM / 43 SHORE A) REAR POLY/BLADE (847MM LONG)	STANDARD BLADE
	208202	(650MM SCRUB WIDTH) REPLACEMENT (4.0MM / 50 SHORE A) REAR POLY/BLADE (847MM LONG)	PREMIUM BLADE OPTION
	208203	(650MM SCRUB WIDTH) REPLACEMENT (4.0MM / 40 SHORE A) REAR RED LINATEX PREMIUM NATURAL RUBBER /BLADE (847MM LONG)	PREMIUM BLADE OPTION
4	206977	(650MM SCRUB WIDTH) REPLACEMENT (3.2MM / 43 SHORE A) FRONT POLY/BLADE (819MM LONG)	STANDARD BLADE
	208199	(650MM SCRUB WIDTH) REPLACEMENT (3.2MM / 50 SHORE A) FRONT POLY/BLADE (819MM LONG)	PREMIUM BLADE OPTION
	208201	(650MM SCRUB WIDTH) REPLACEMENT (3.2MM / 40 SHORE A) FRONT RED LINATEX PREMIUM NATURAL RUBBER /BLADE (819MM LONG)	PREMIUM BLADE OPTION
5	206951	QUICK RELEASE KNOB	
6	329825	CASTOR PLATE	
7	219963	M10 STAINLESS STEEL FULL NUT	
8	219897	M10 STAINLESS STEEL NYLON INSERT NUT	
9	219910	M10 X 25MM LONG SOCKET BUTTON HEAD STAINLESS STEEL SCREW	
10	204018	50MM CASTOR/GREY RUBBER TYRE	
11	219933	M6 X 35MM SOCKET BUTTON HEAD BOLT STAINLESS STEEL	
12	219647	M6 FORM G STAINLESS STEEL WASHER	
13	204068	3 INCH GREY WHEEL	
14	206953	DETENT PINS	
15	219853	M6 NYLOC HALF NUT (STAINLESS STEEL)	
16	303871	FLOOR TOOL LIFTING PLATE WELDED ASSEMBLY	

WIRING DIAGRAM

COMP. No
123189

DRG. No
WD-0210

MAINS TWINTEC 3450S & T/4550S/6650S HANDLE/VAC/BASE

ISSUE	REVISION	DRAWN	APPD.	DATE
A13	CIRCUIT BREAKER REMOVED FROM HANDLE	CG	MP	16.09:10

