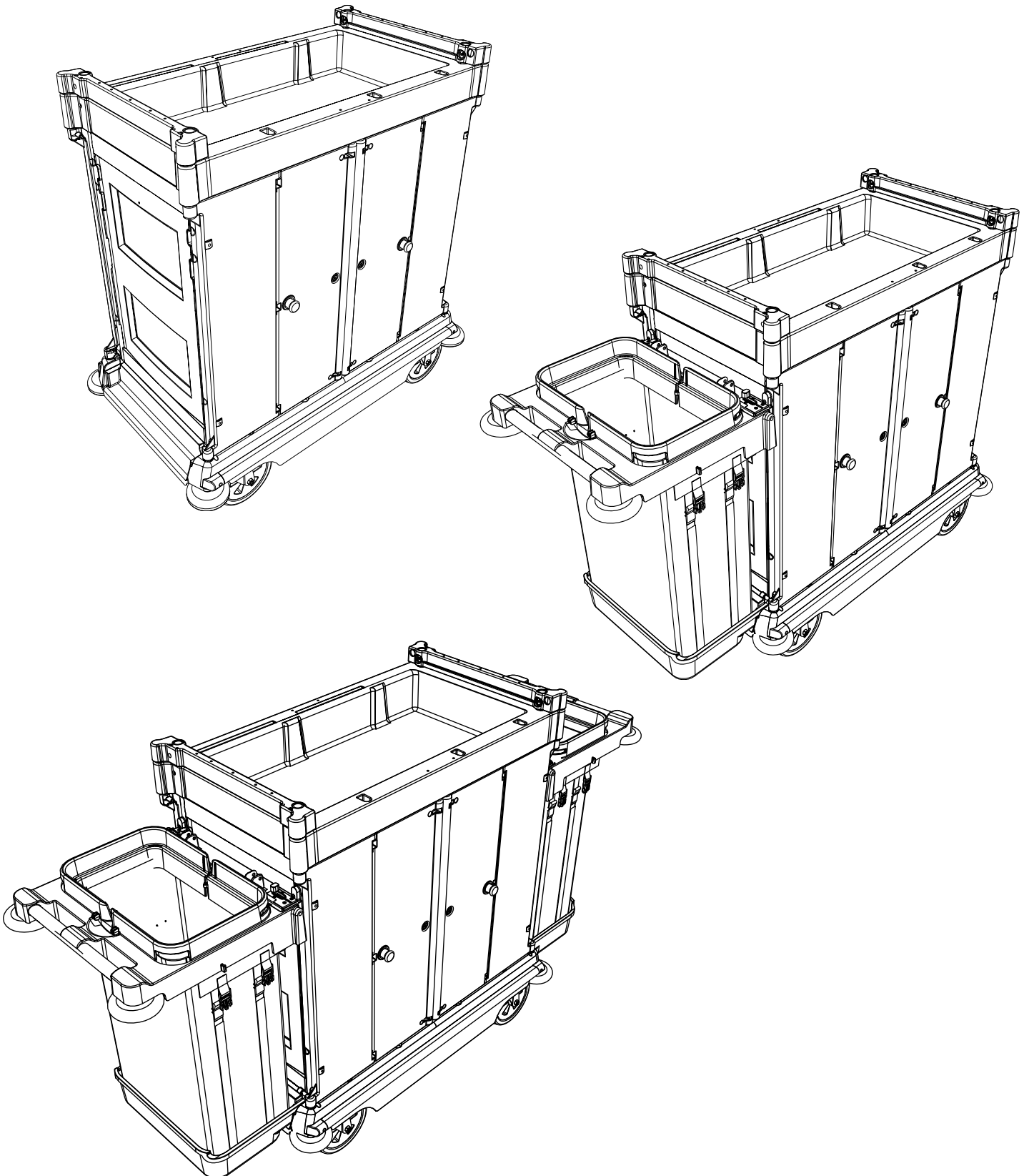
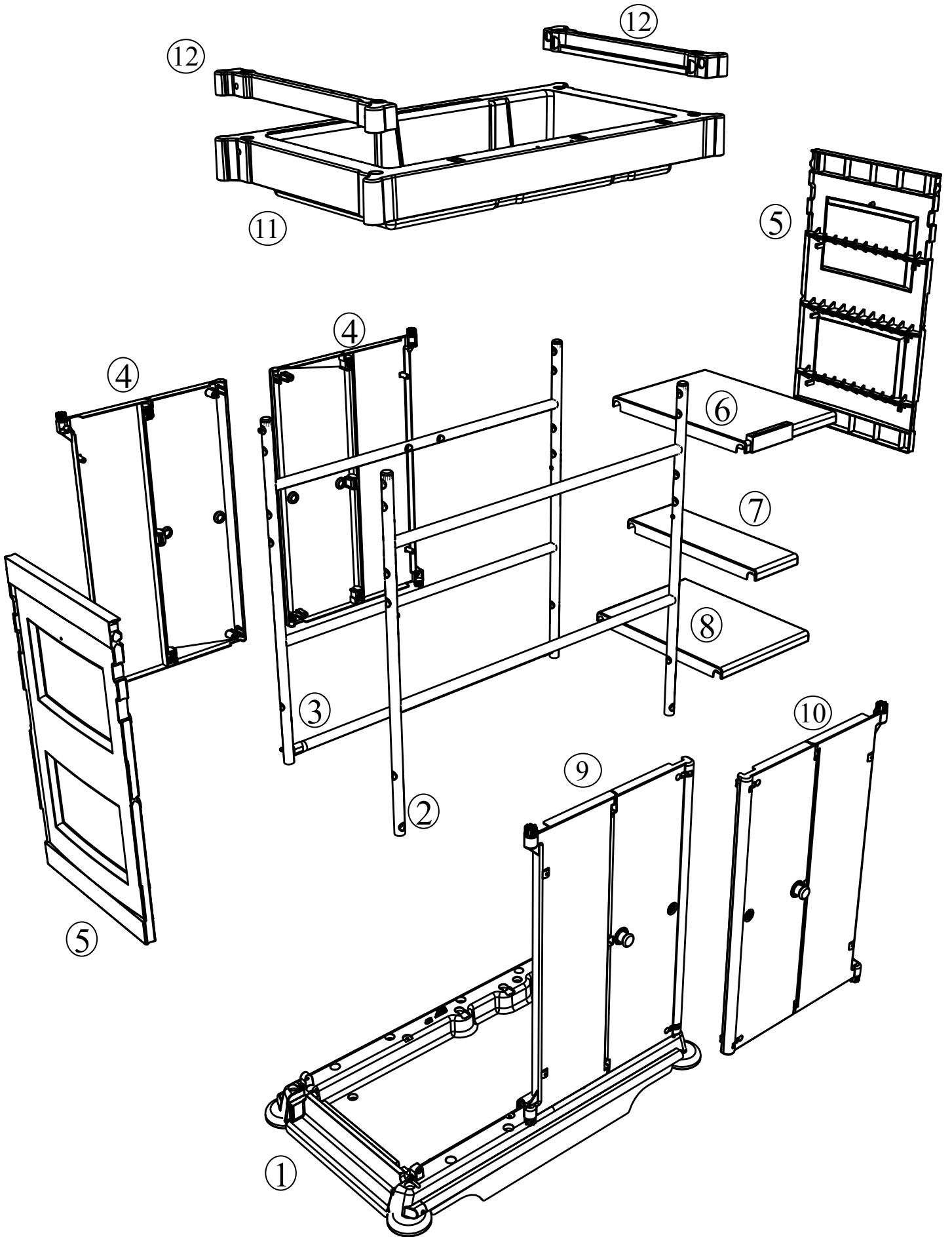



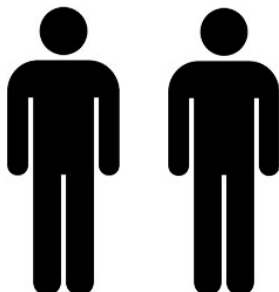

# Numatic

## NKU 30,31,32 HF

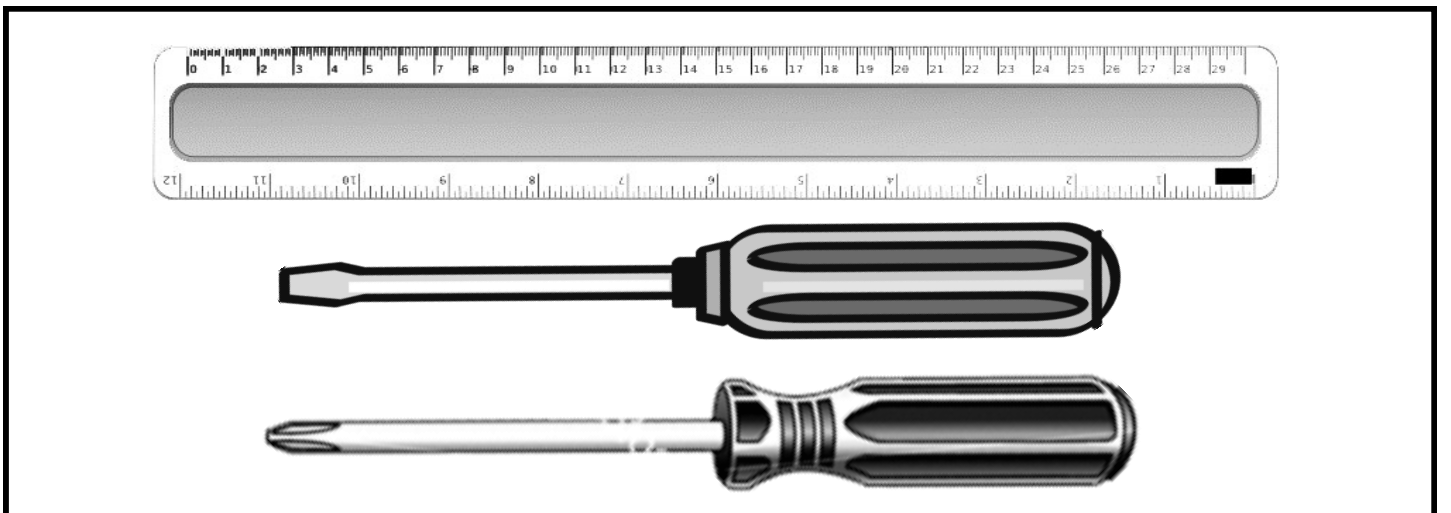




ITEM	PART	DESCRIPTION	QTY
1	903843	BASE	1
2	902570	FRONT UPRIGHT	1
3	902571	REAR UPRIGHT	1
4	903837	REAR DOOR ASSEMBLY	2
5	223395	PANEL MOULDING	2
6	903844	WIDE SHELF WITH BLOCK	1
7	223205	HALF SHELF	1
8	223105	NARROW SHELF	1
9	903839	LEFT HAND DOOR ( LABELLED B )	1
10	903840	RIGHT HAND DOOR ( LABELLED A )	1
11	902210	TOP TRAY MOULDING	1
12	223390	DOOR MOUNTING MOULDING	1

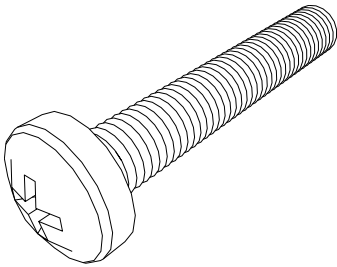




NKU30HF 0.75HR  
 NKU31HF 1.0HR  
 NKU32HF 1.25HR



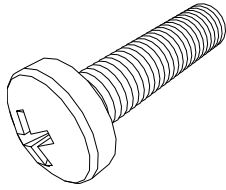
# NKU 30,31,32 HF

299020  
M5 X 30



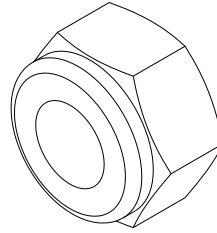
**x 8**

219054  
M5 X 20



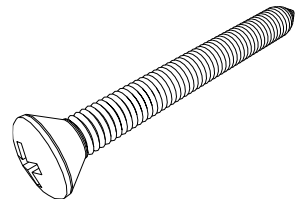
**x 4**

219649  
M10



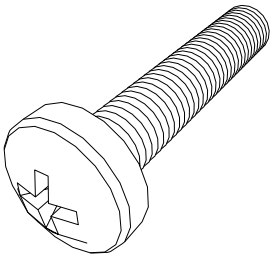
**x 12**

219839  
NO8 X 1 1/2 INCH



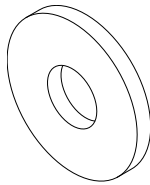
**x 4**

219057  
M5 X 25



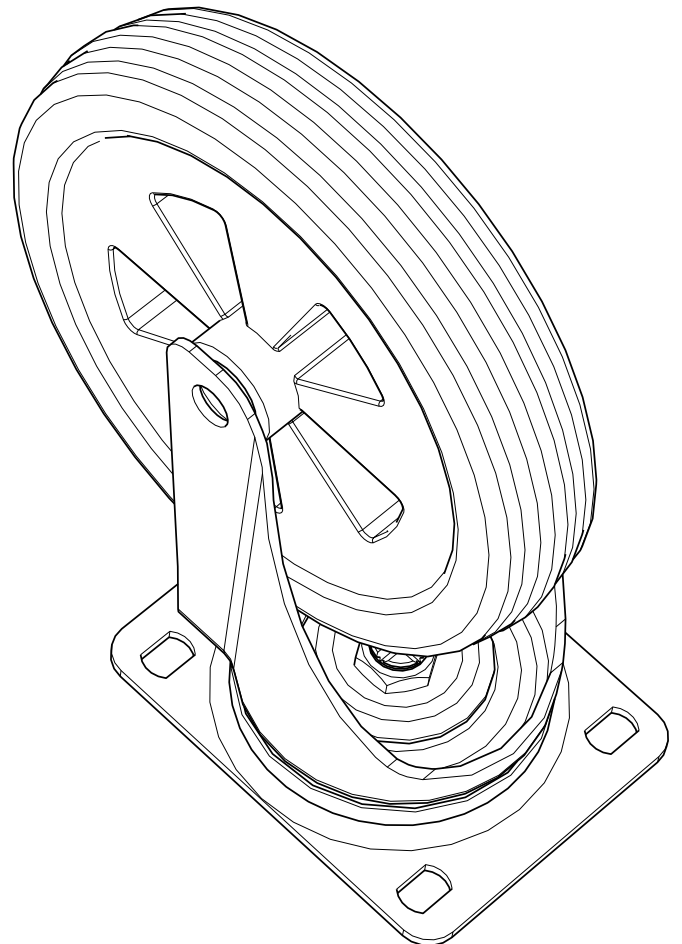
**x 4**

219008  
M6

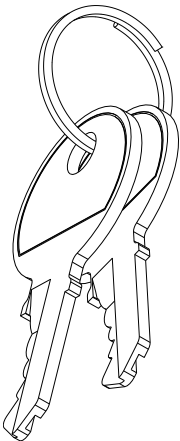


**x 4**

901814

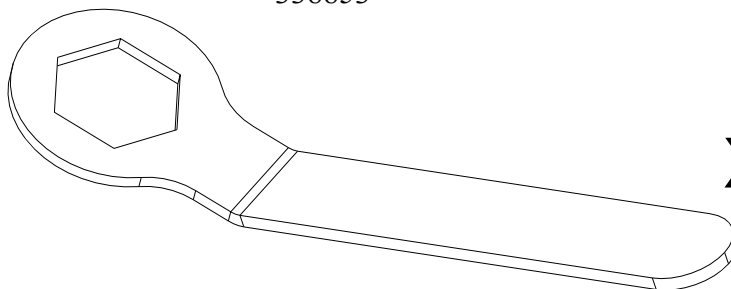


208282



**x 2**

338853

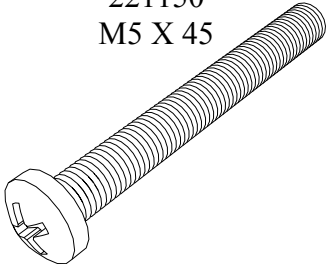


**x 1**

**x 4**

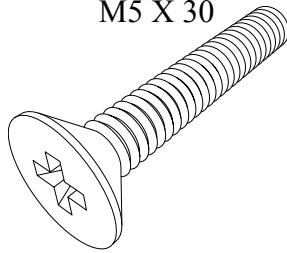
# NKU 31,32 HF

221150  
M5 X 45



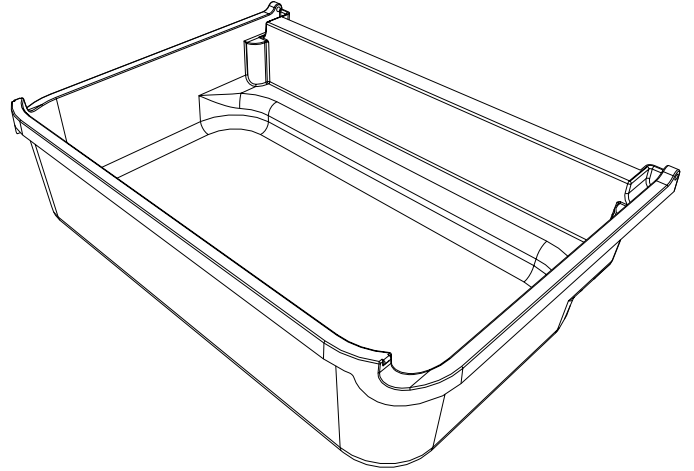
**NKU 31 x 2**  
**NKU 32 x 4**

904520  
M5 X 30



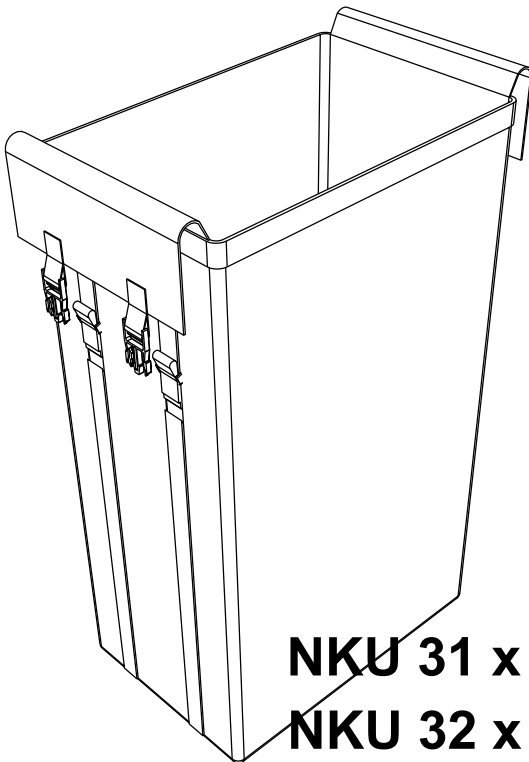
**NKU 31 x 4**  
**NKU 31 x 8**

227971



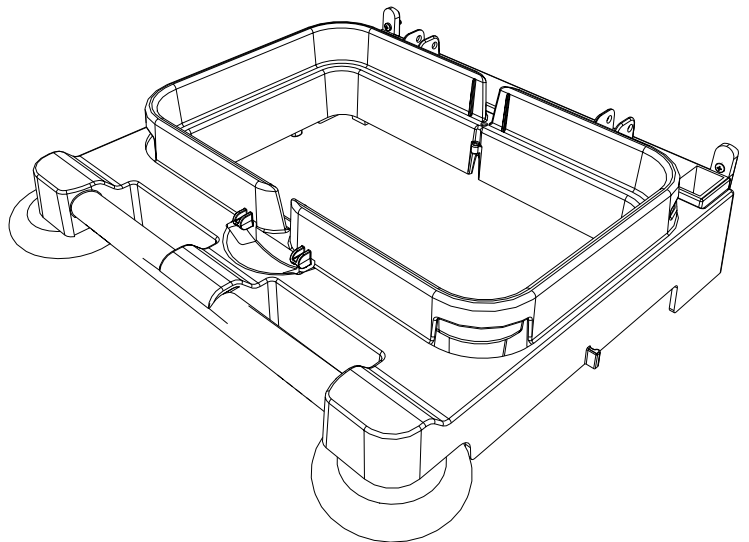
**NKU 31 x 1**  
**NKU 32 x 2**

618001



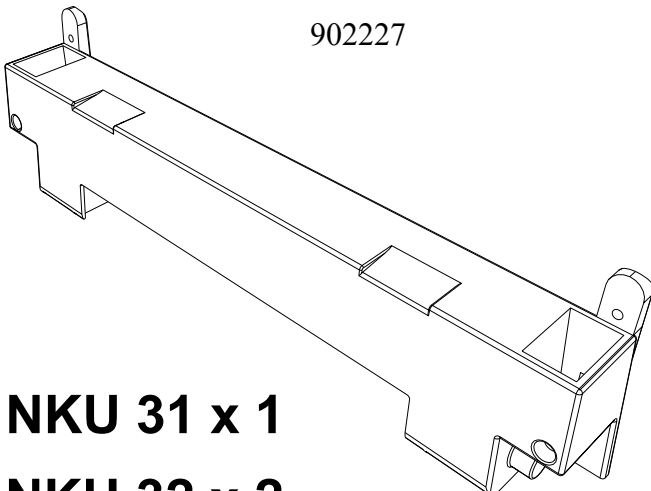
**NKU 31 x 1**  
**NKU 32 x 2**

902221



**NKU 31 x 1**  
**NKU 32 x 2**

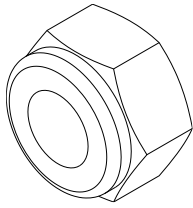
902227



**NKU 31 x 1**  
**NKU 32 x 2**

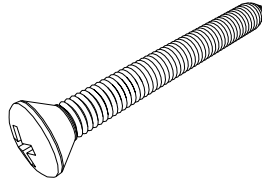
# NKU 30 , 31 , 32HF

219649  
M10



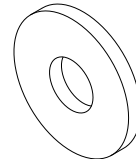
**x 12**

219839  
NO8 X 1 1/2 INCH



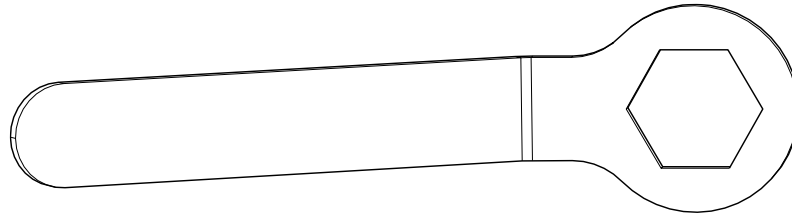
**x 4**

219008  
M6

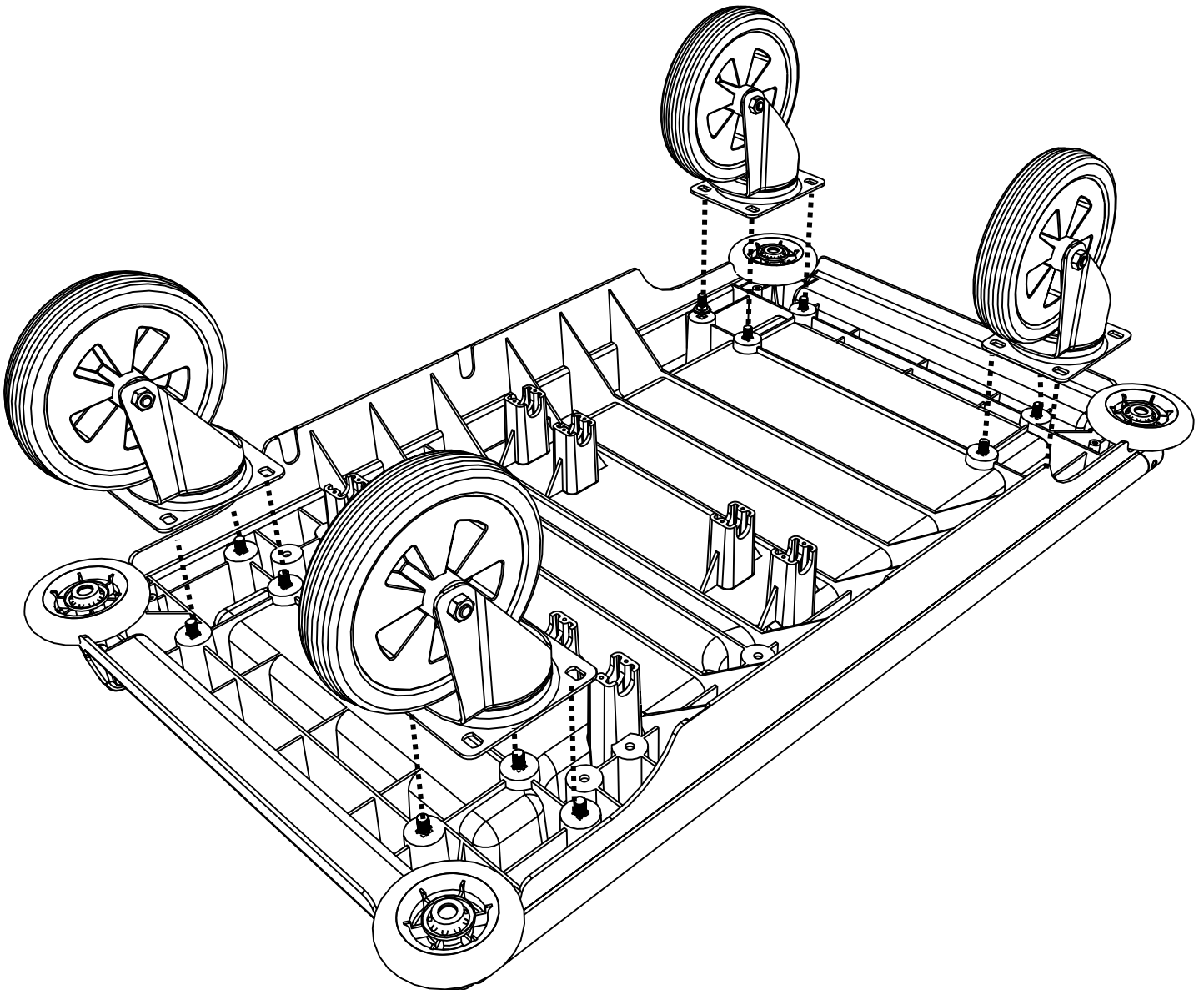


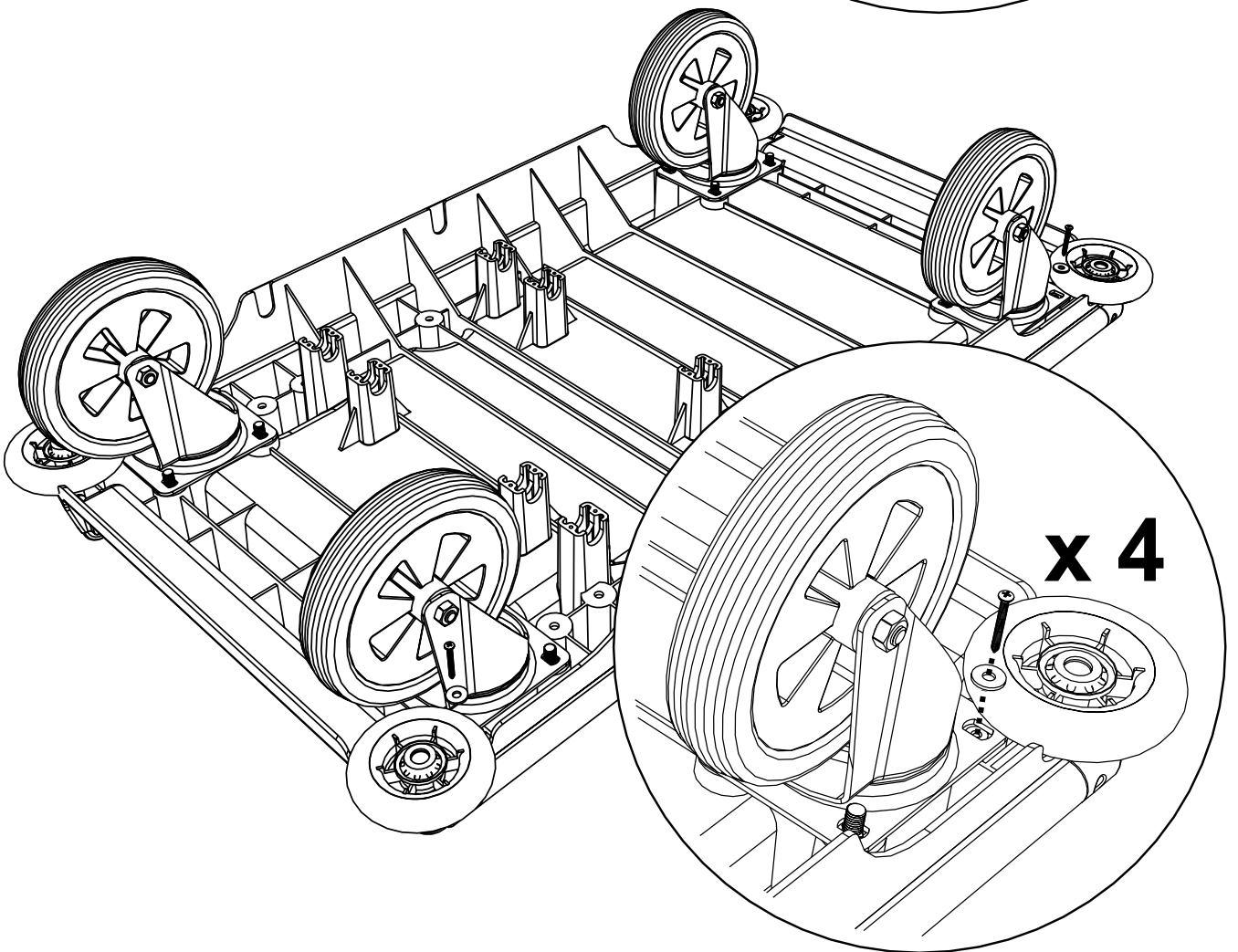
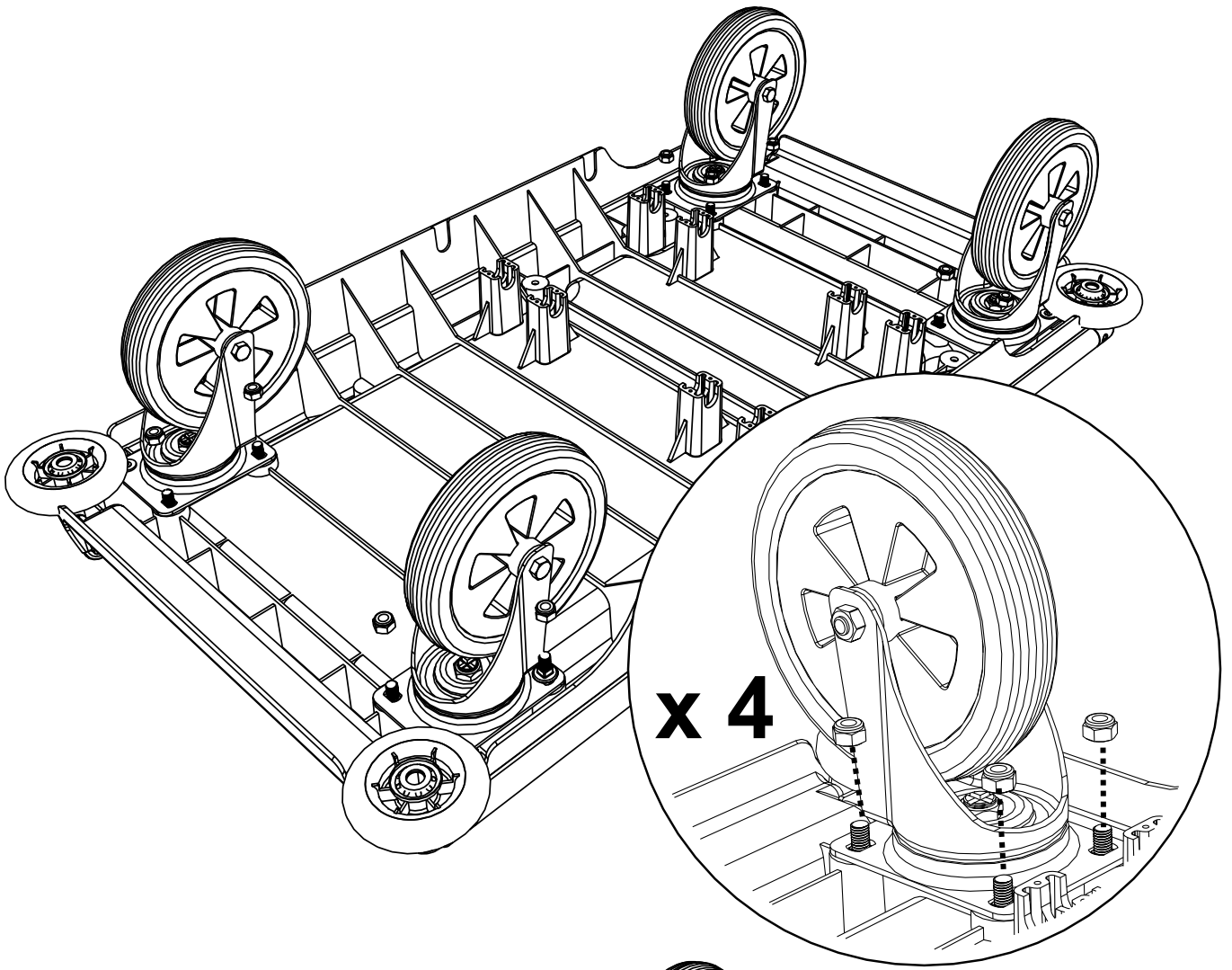
**x 4**

338853  
M10

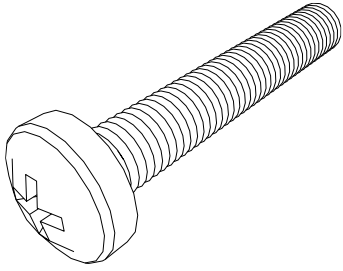


**x 1**

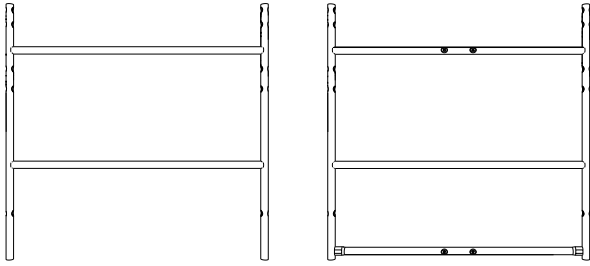




299020  
M5 X 30

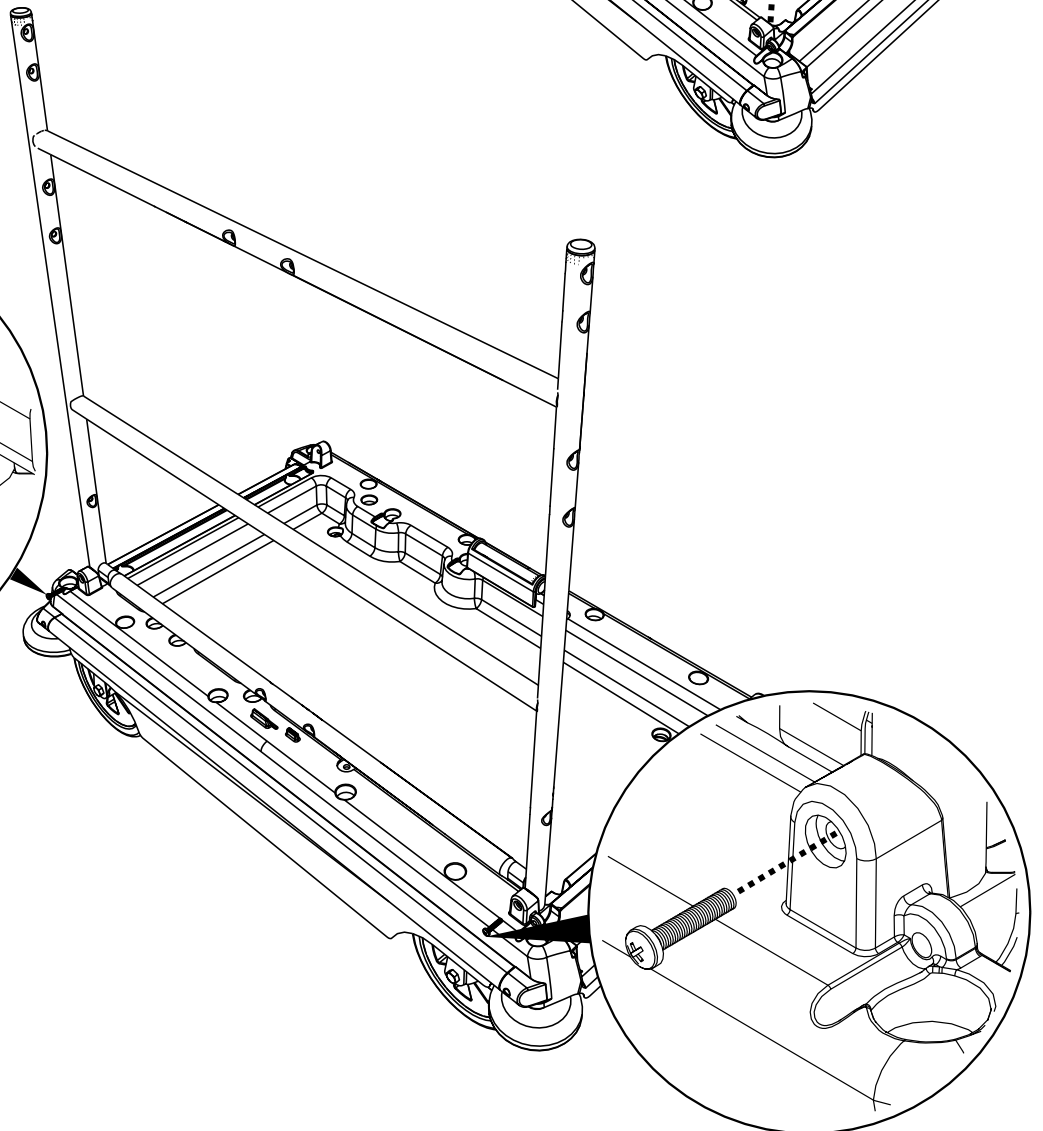
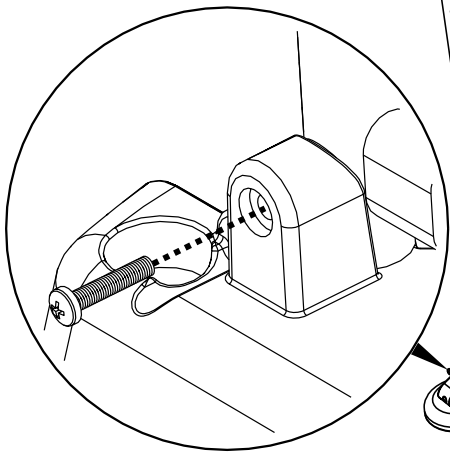
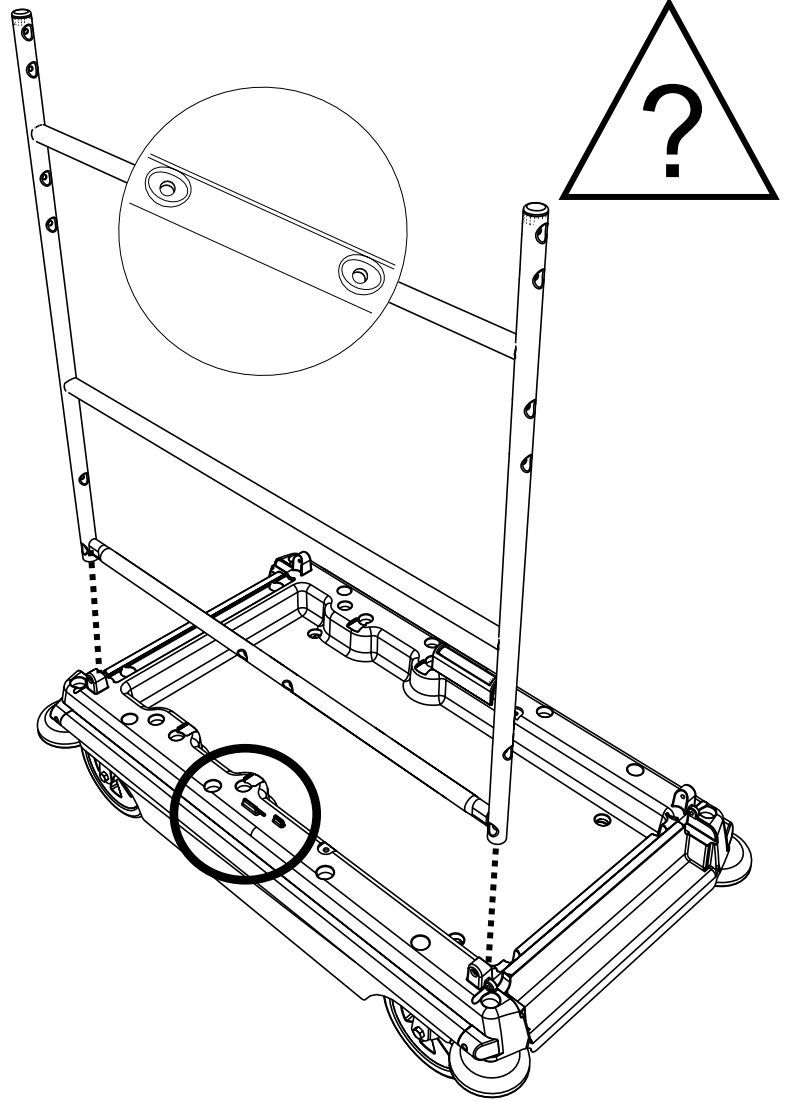


**x 2**

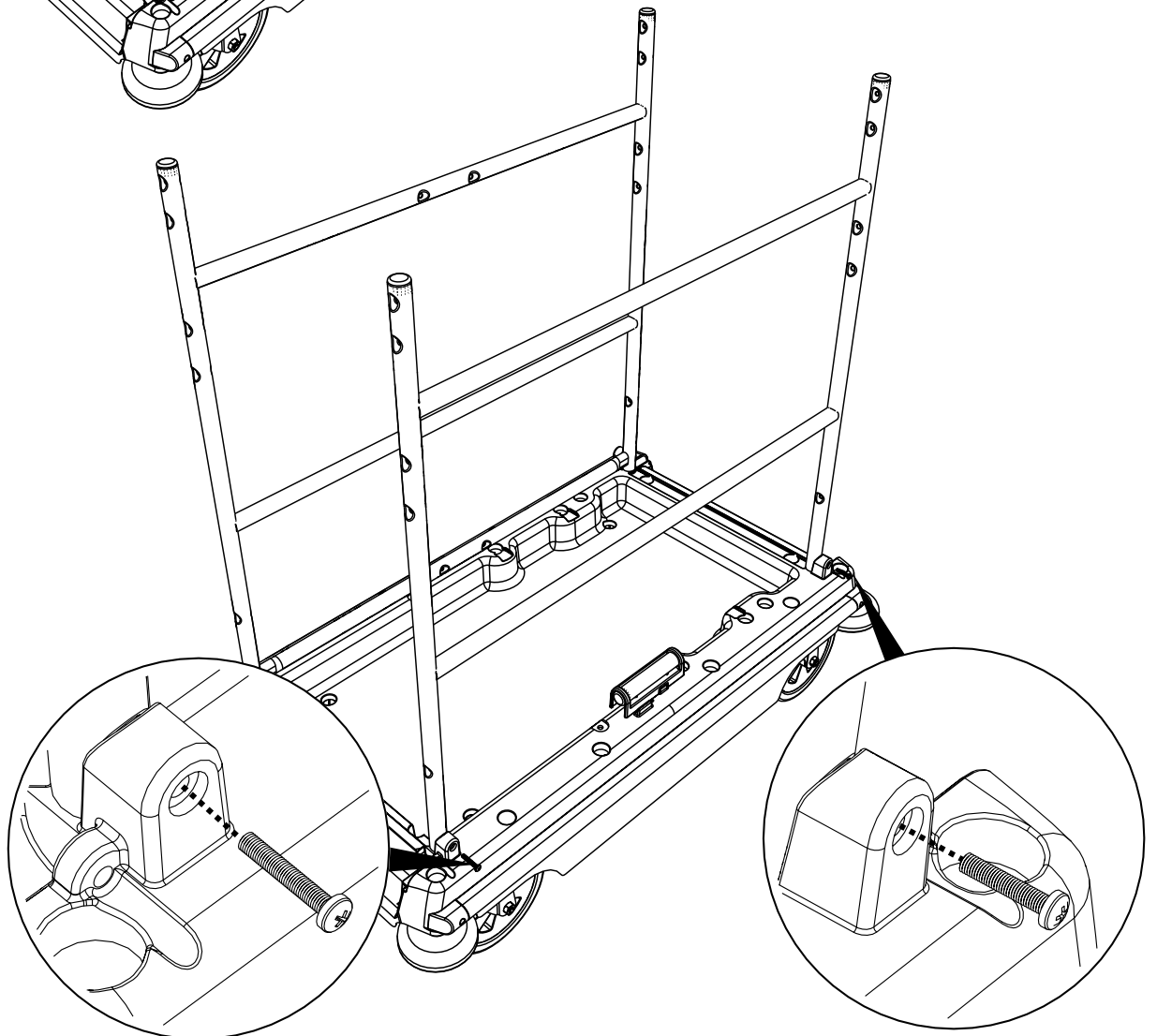
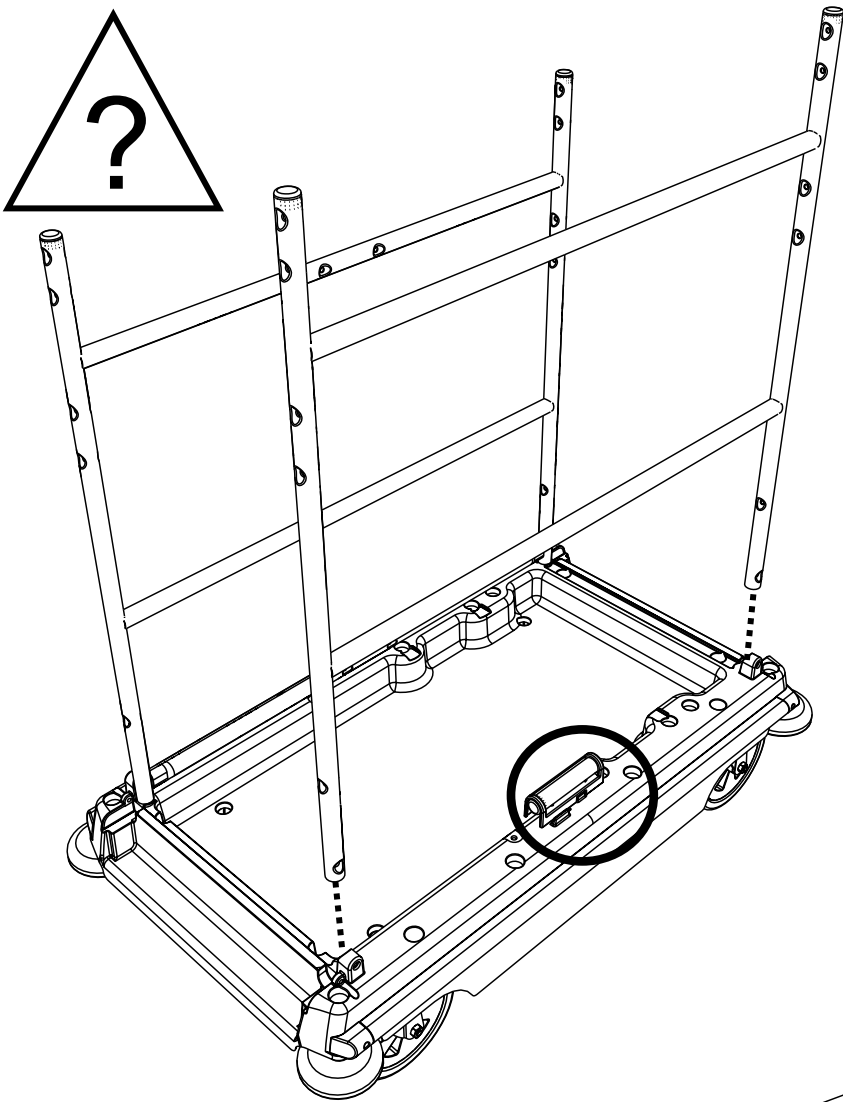
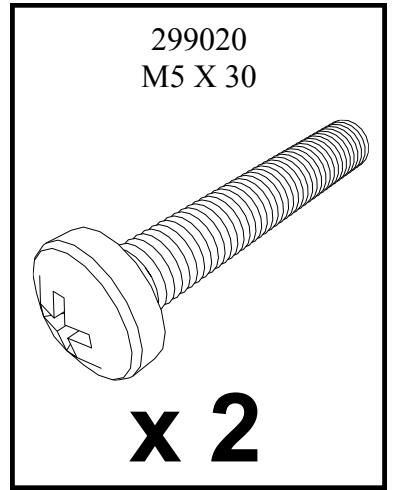
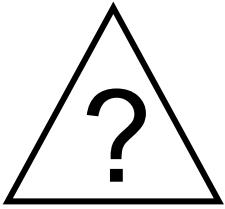


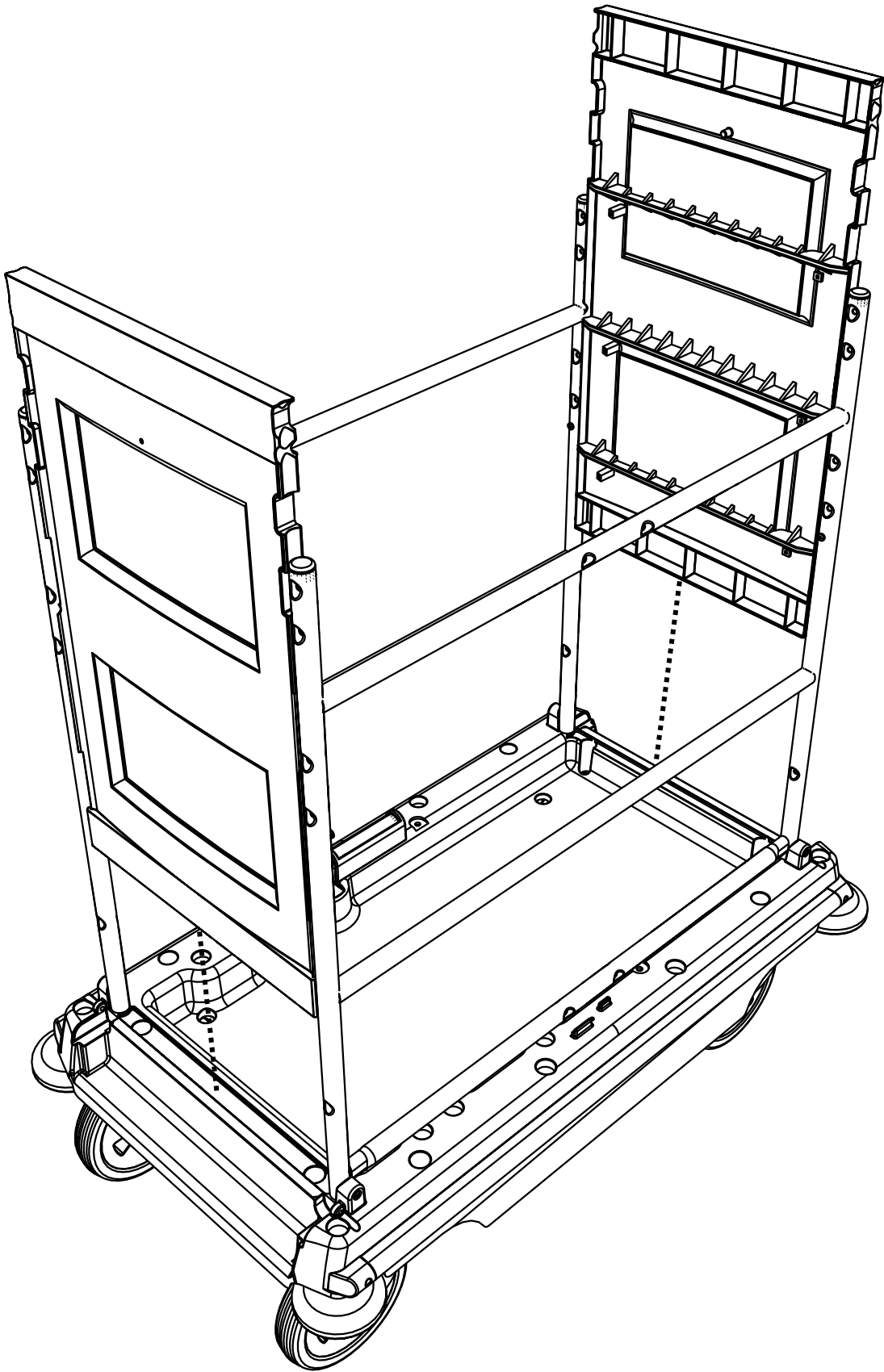
**X**

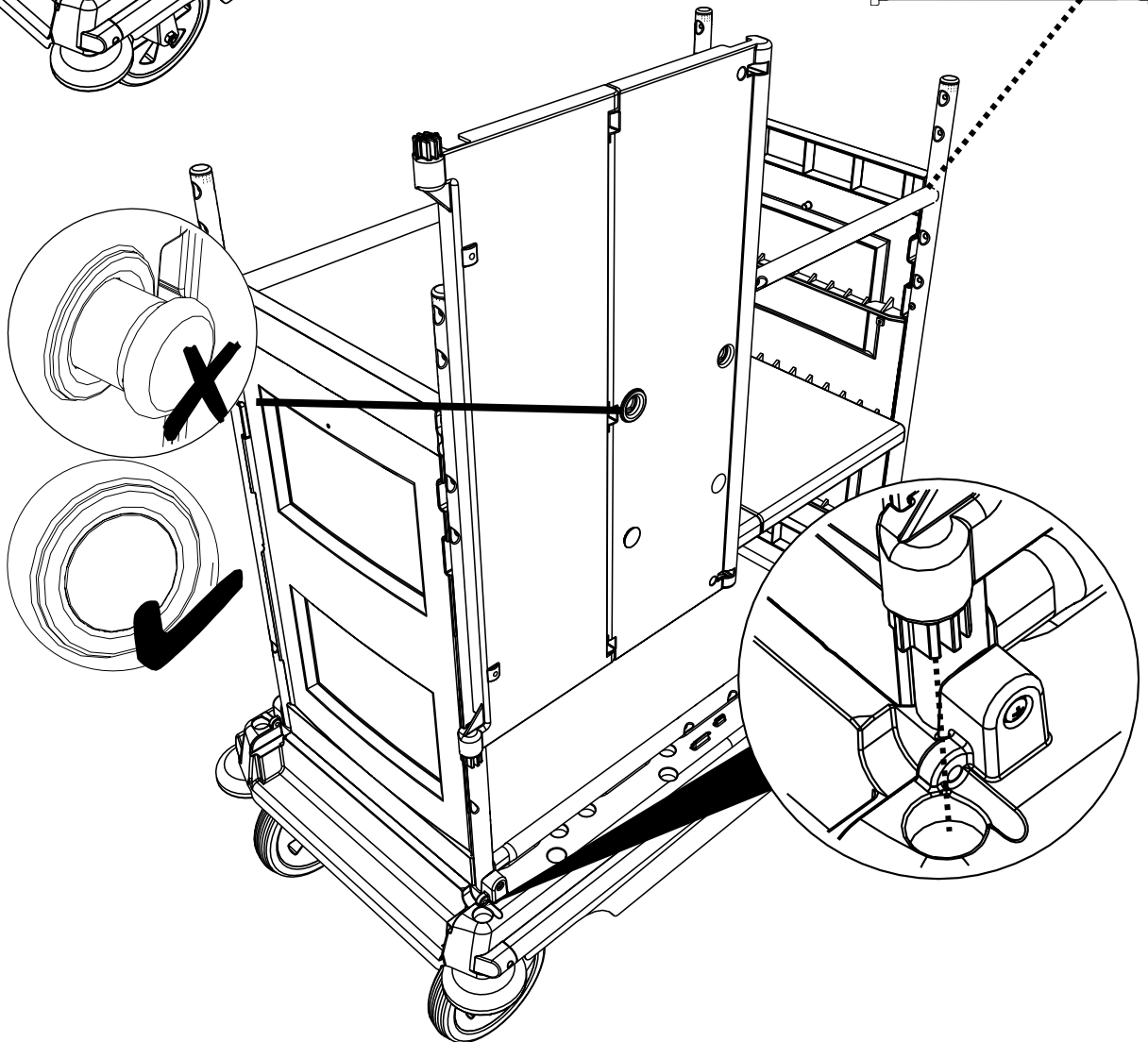
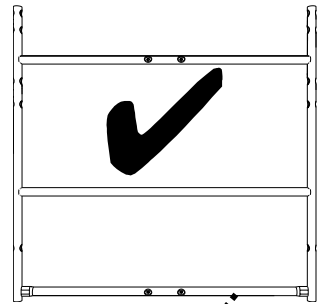
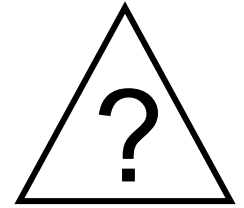
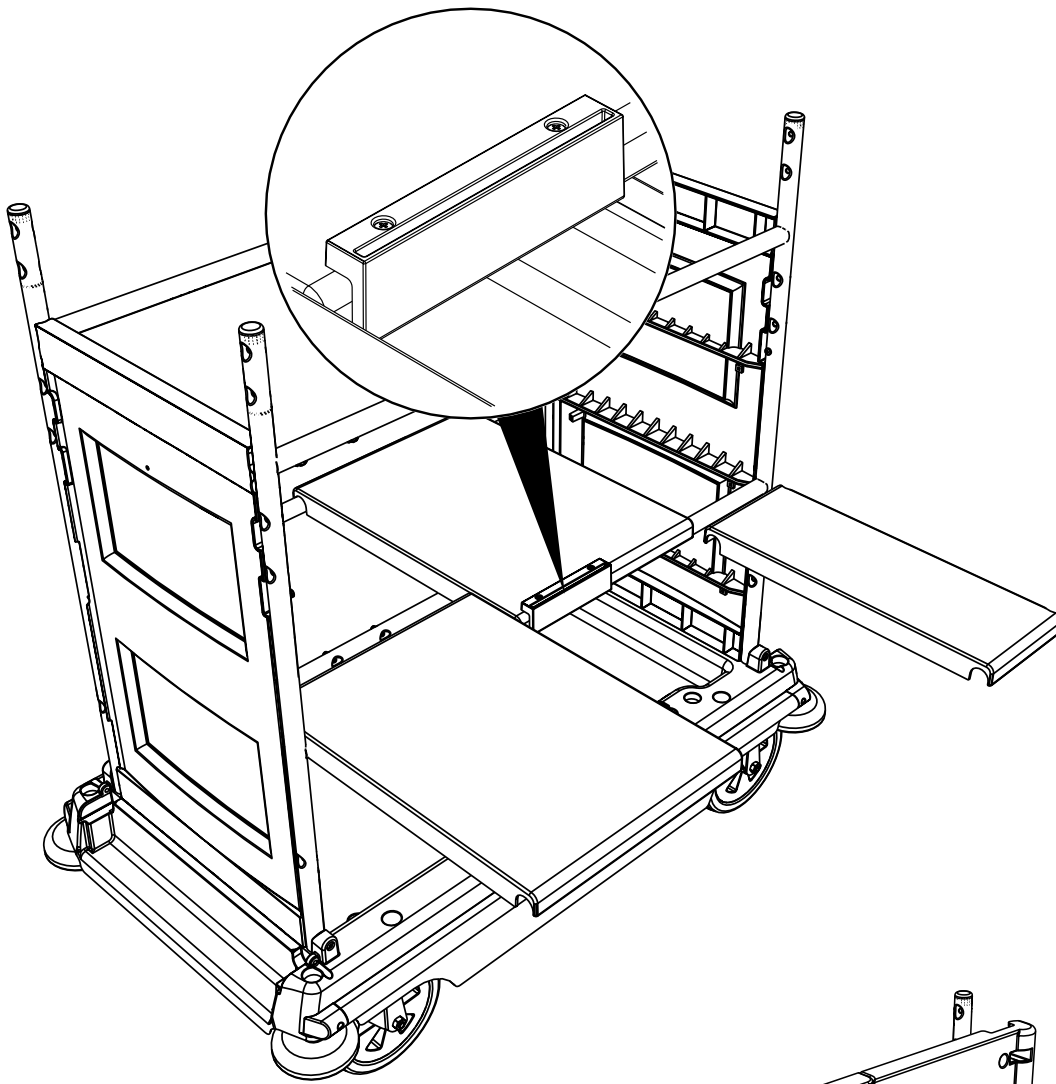
**✓**



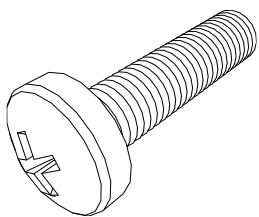




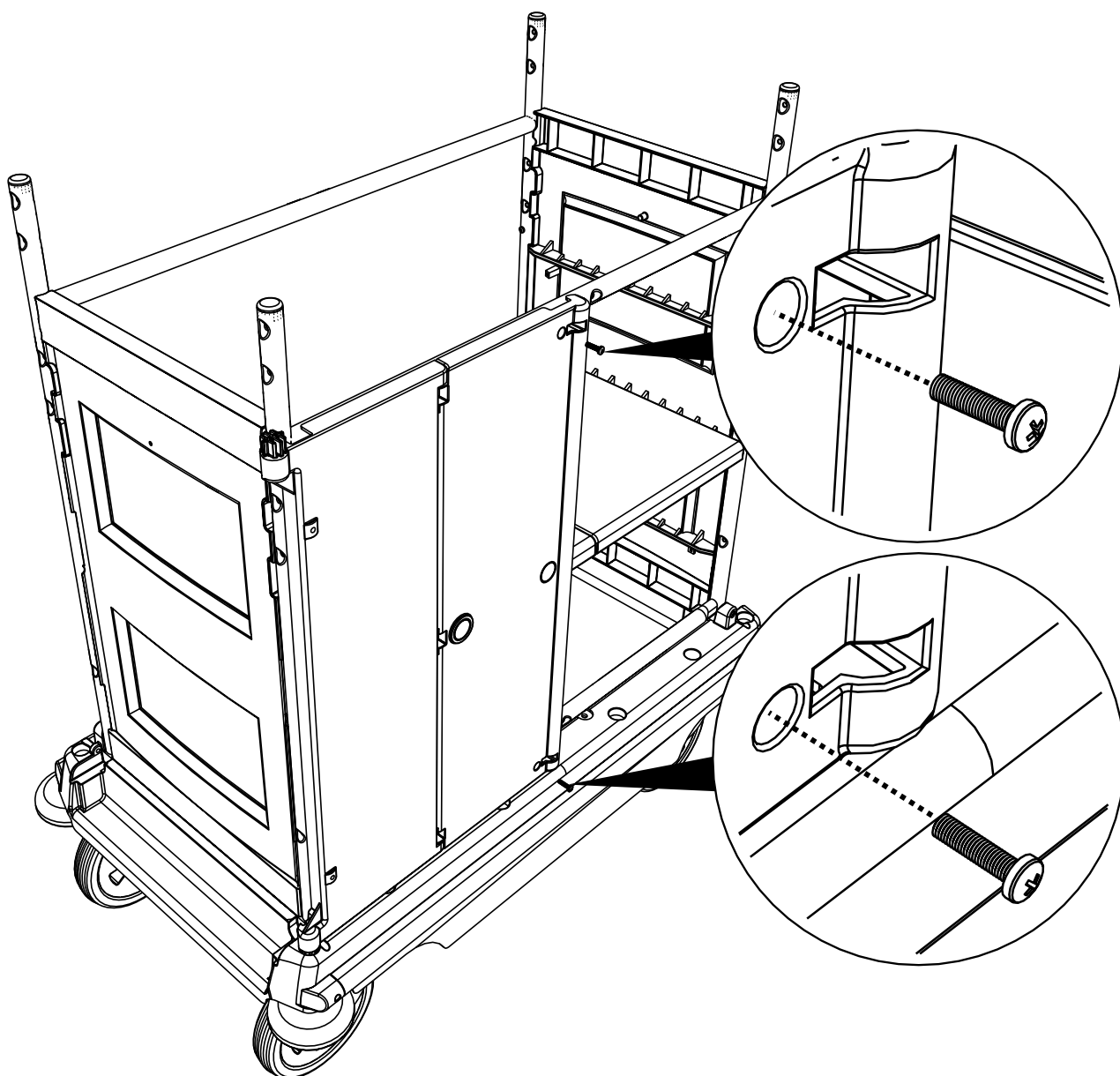




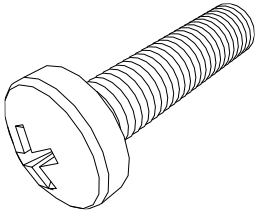
219054  
M5 X 20



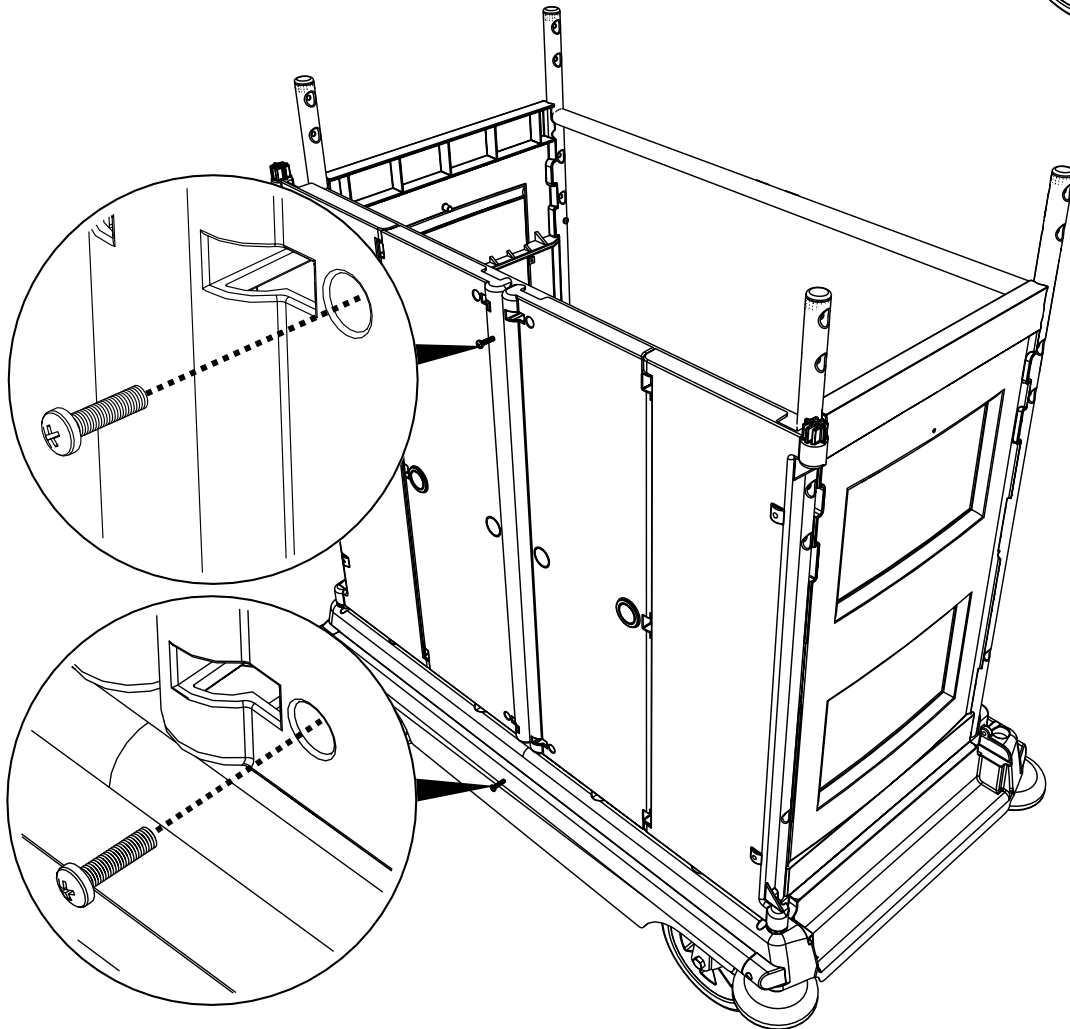
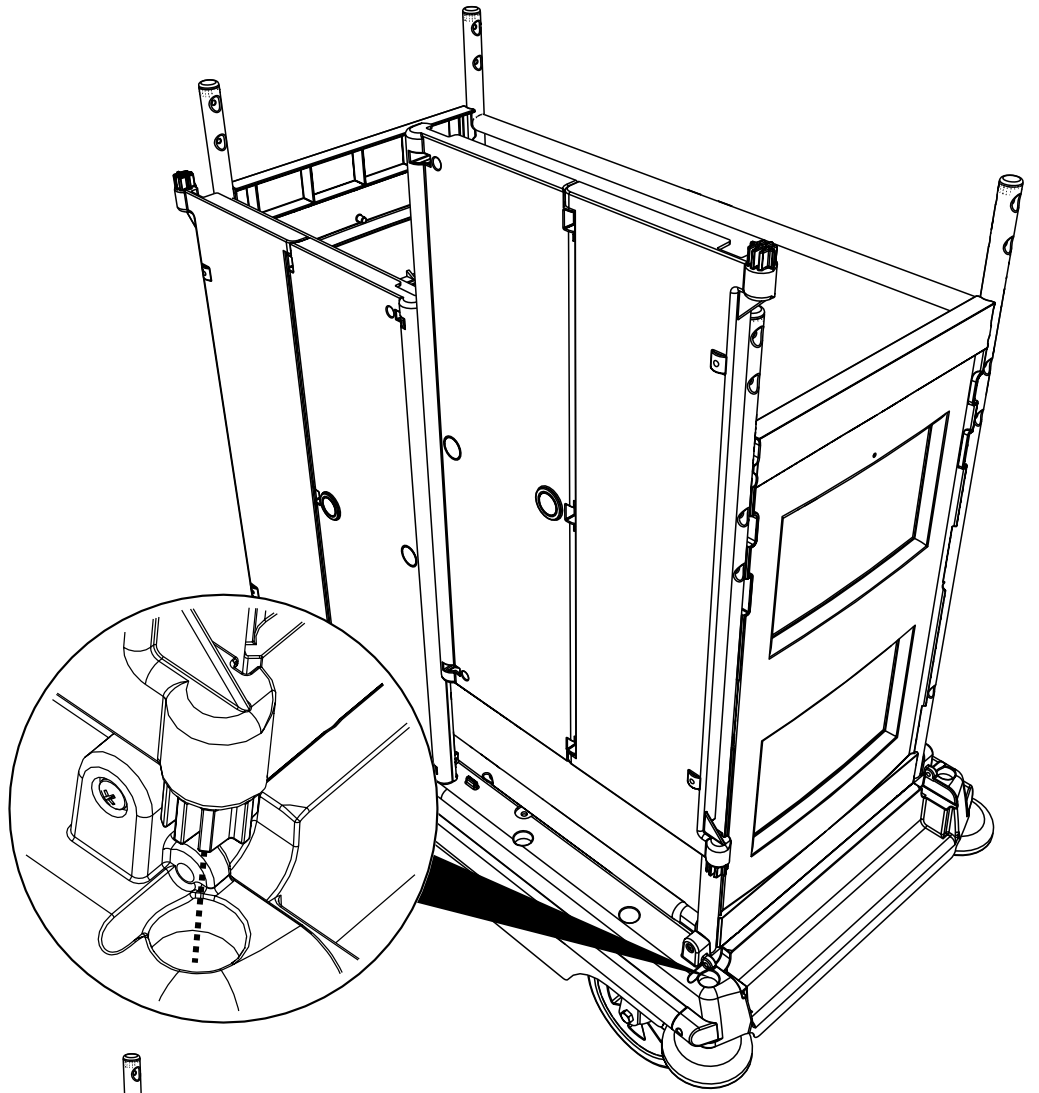
**x 2**

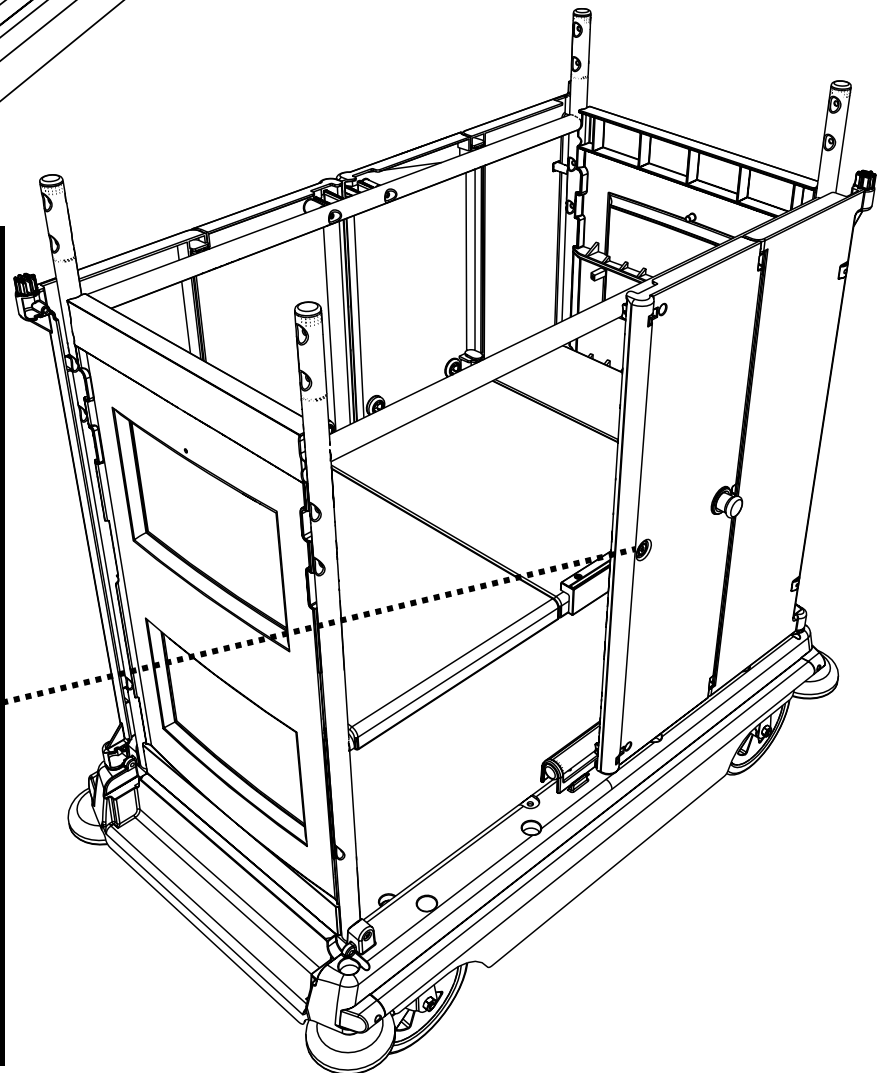
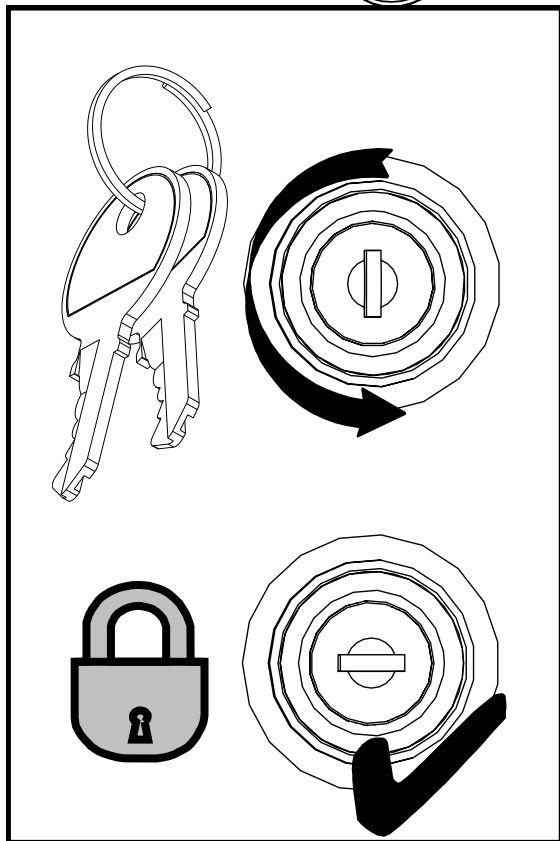
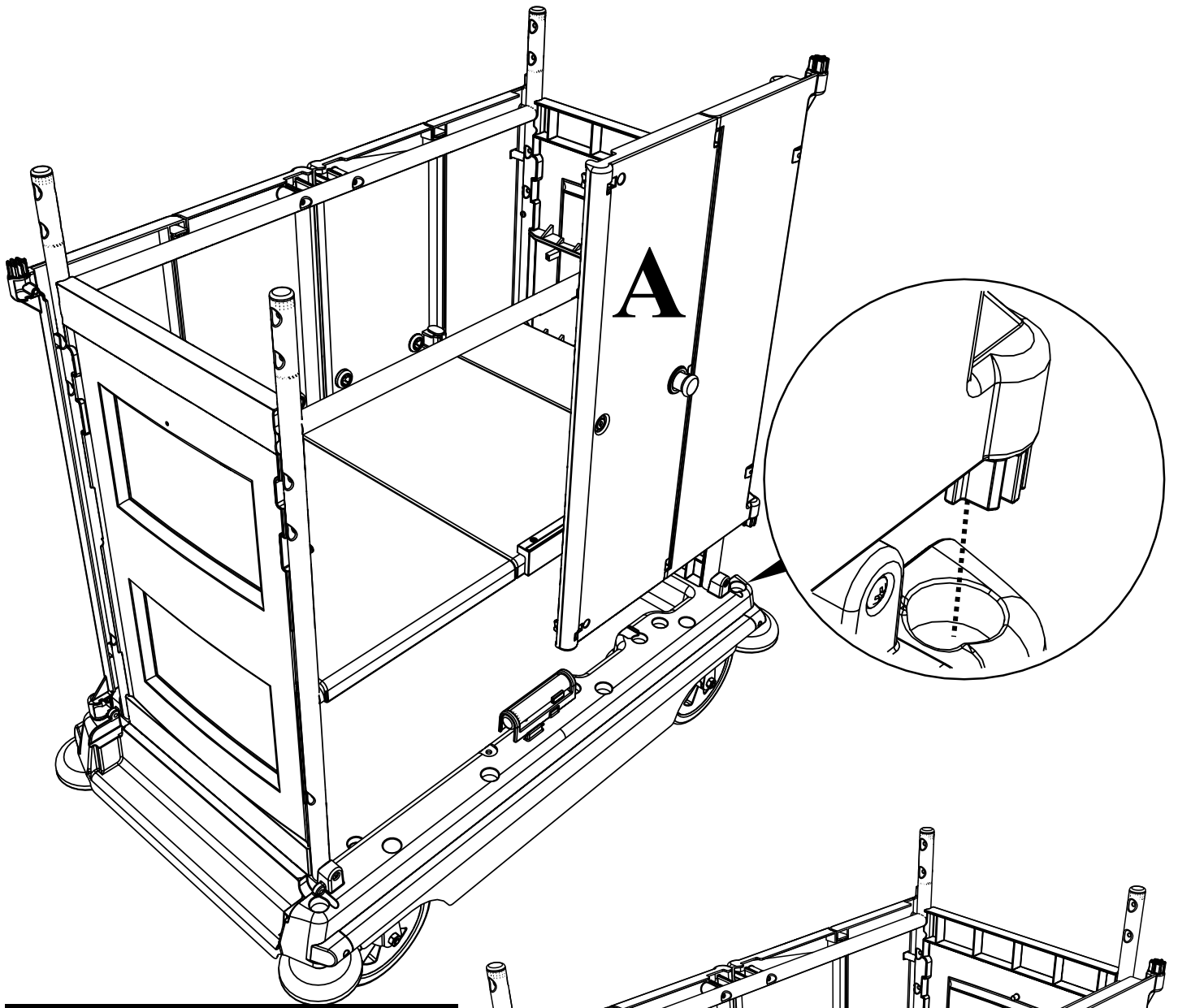


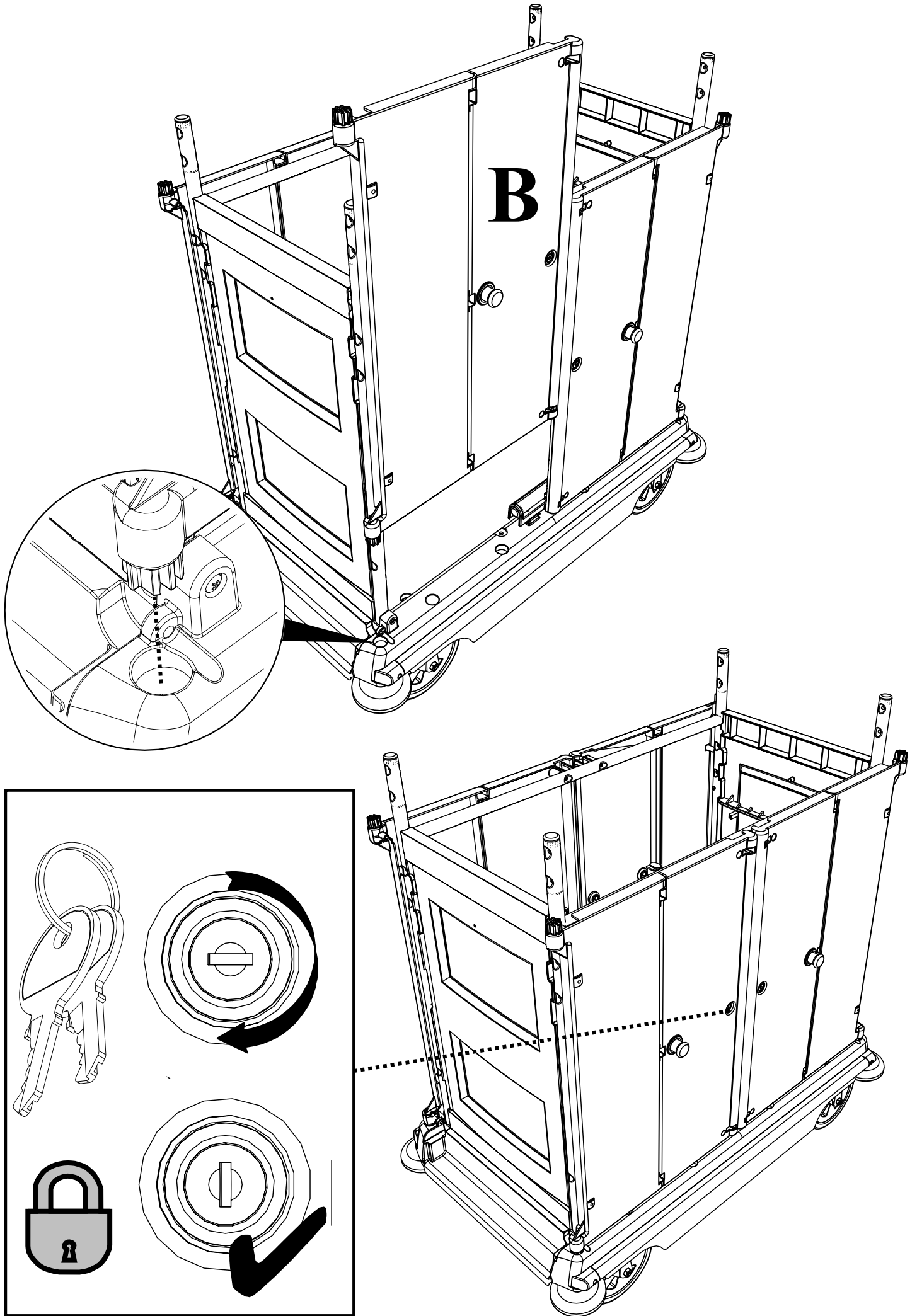
219054  
M5 X 20

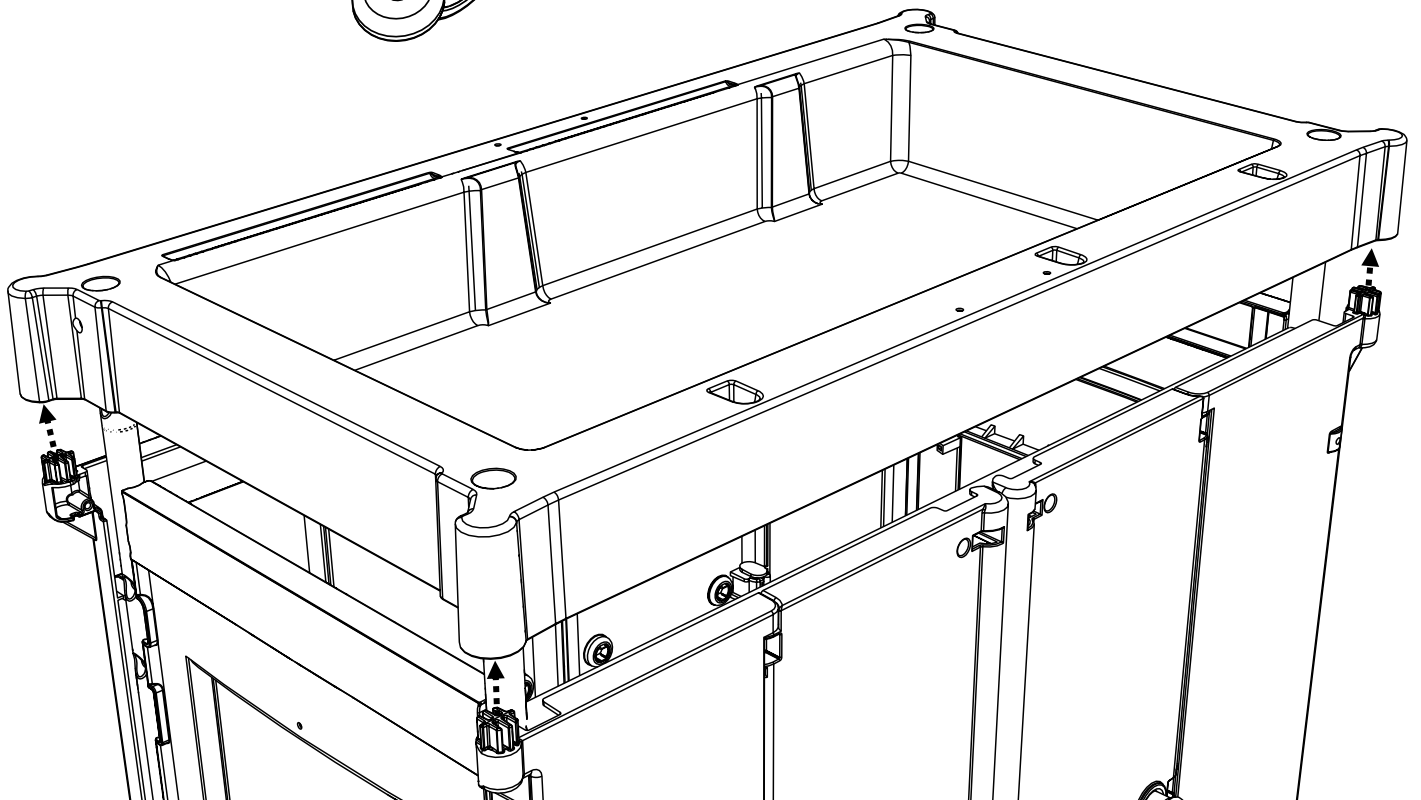
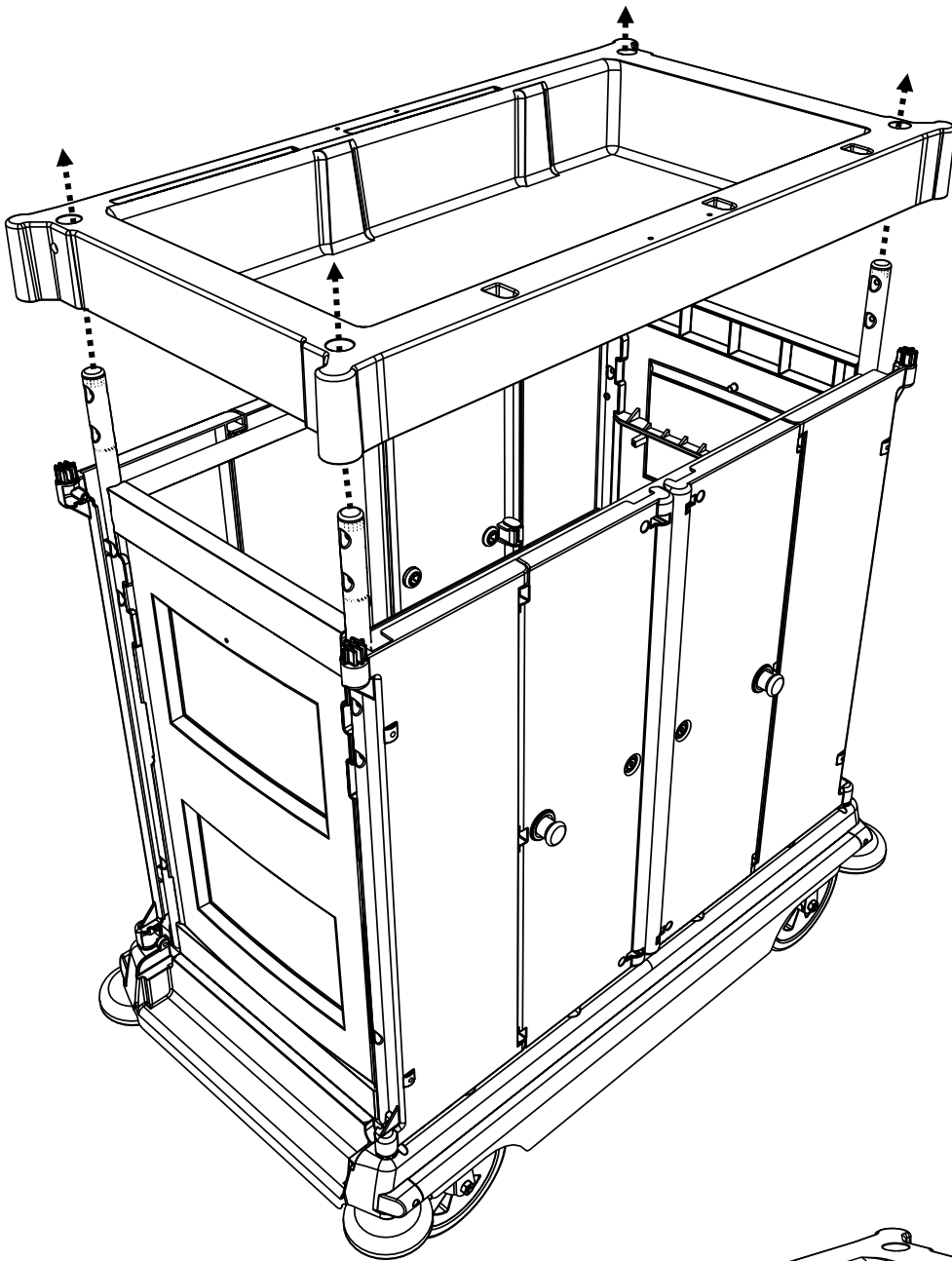


**x 2**



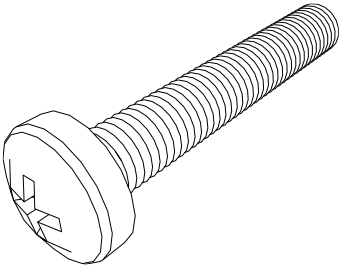




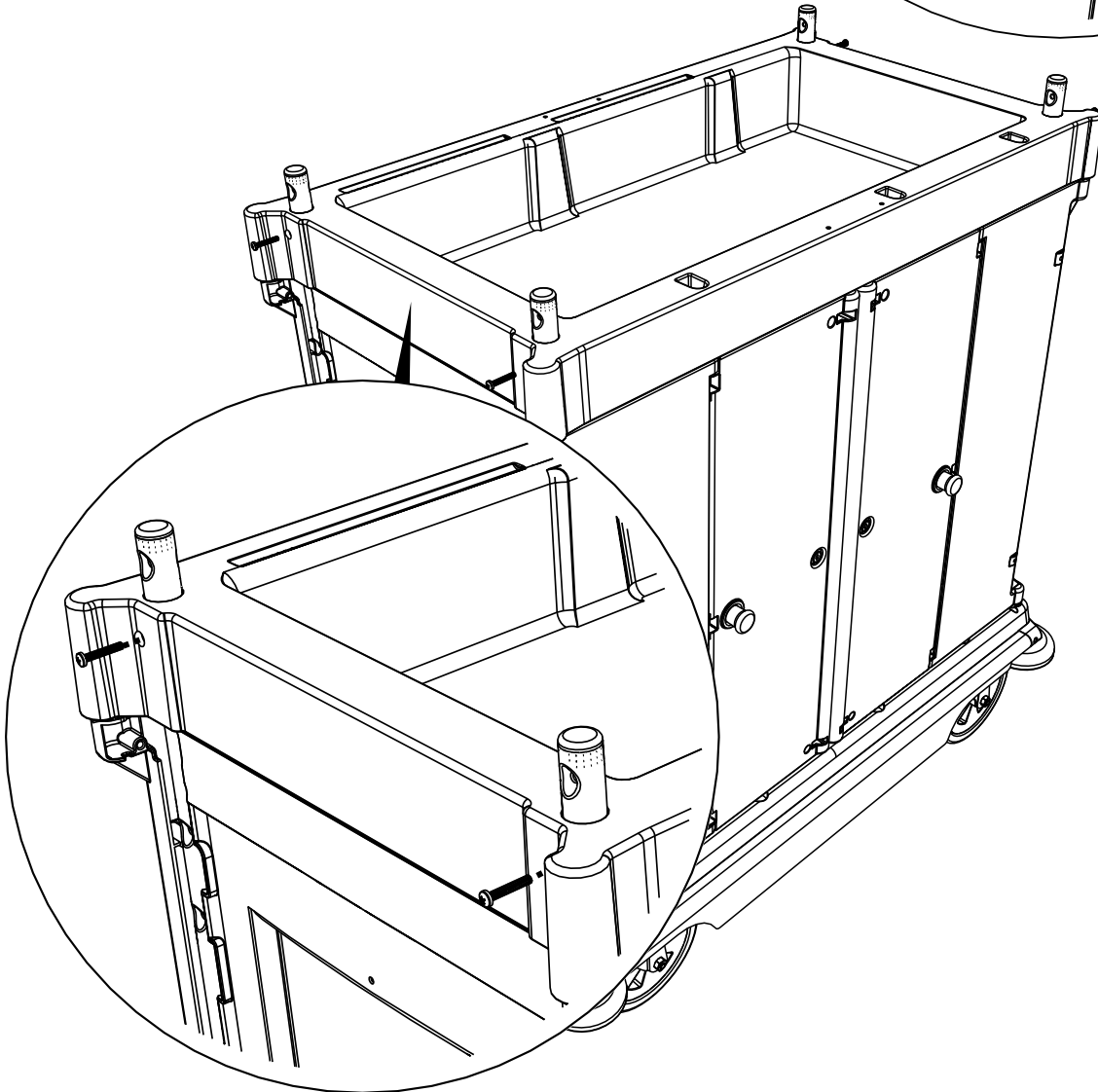
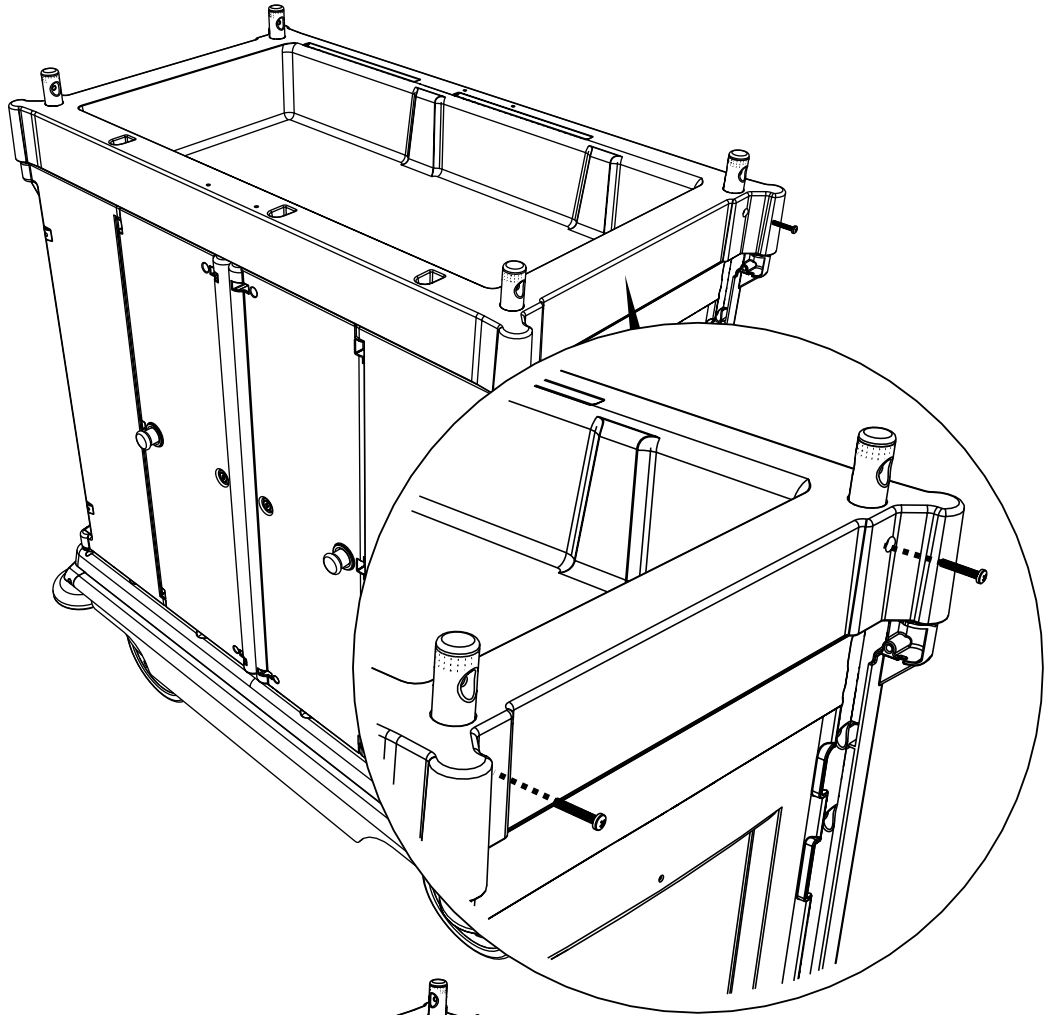


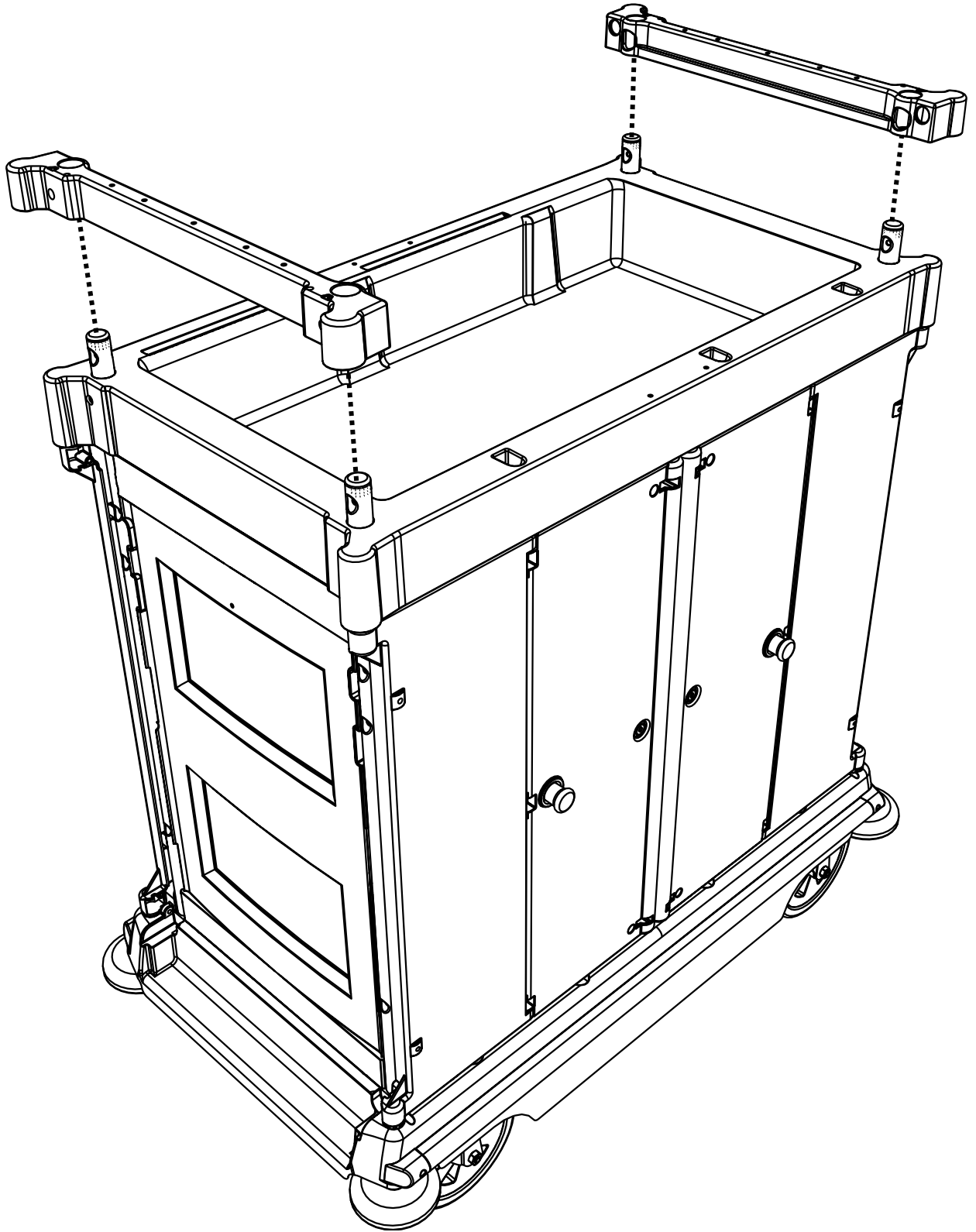


299020  
M5 X 30

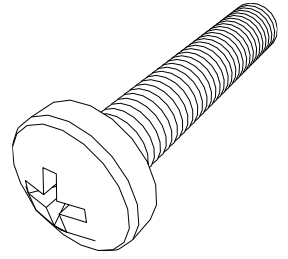


**x 4**

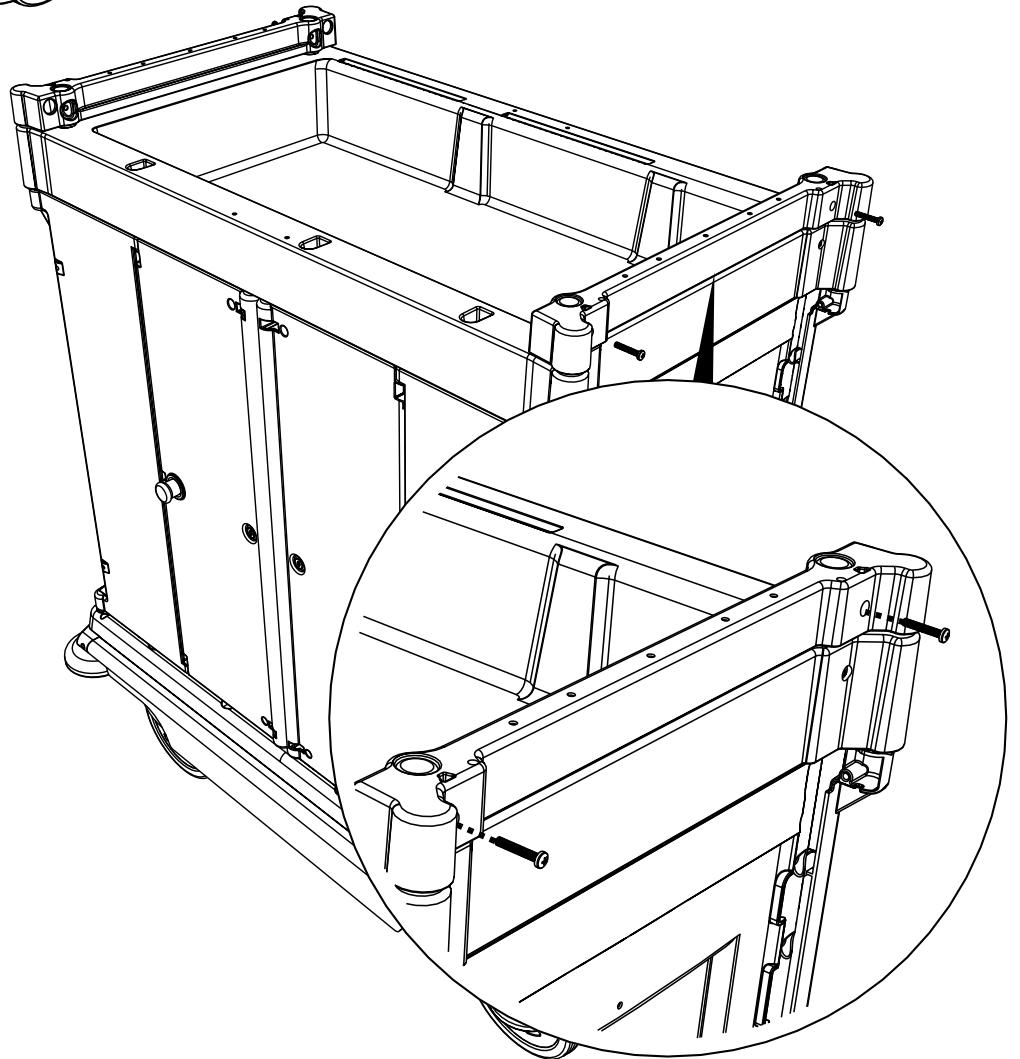
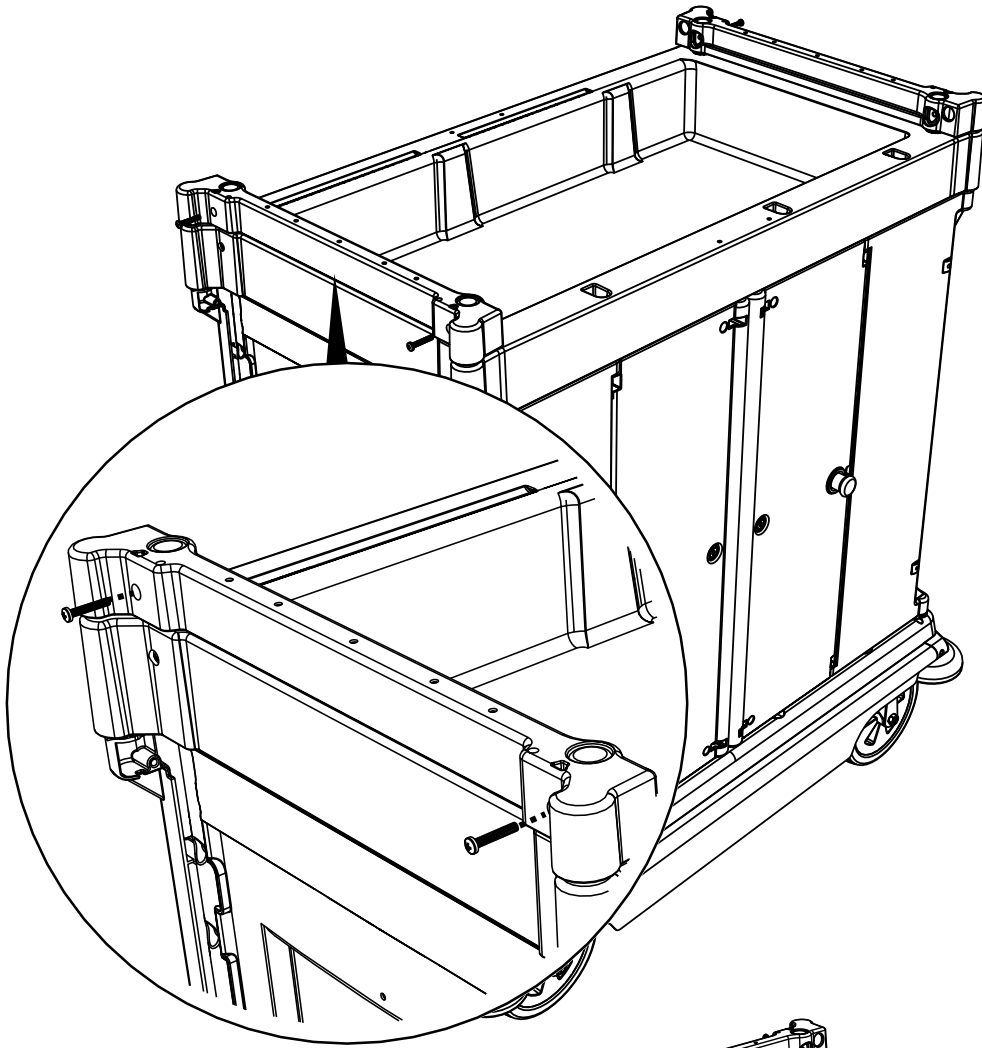




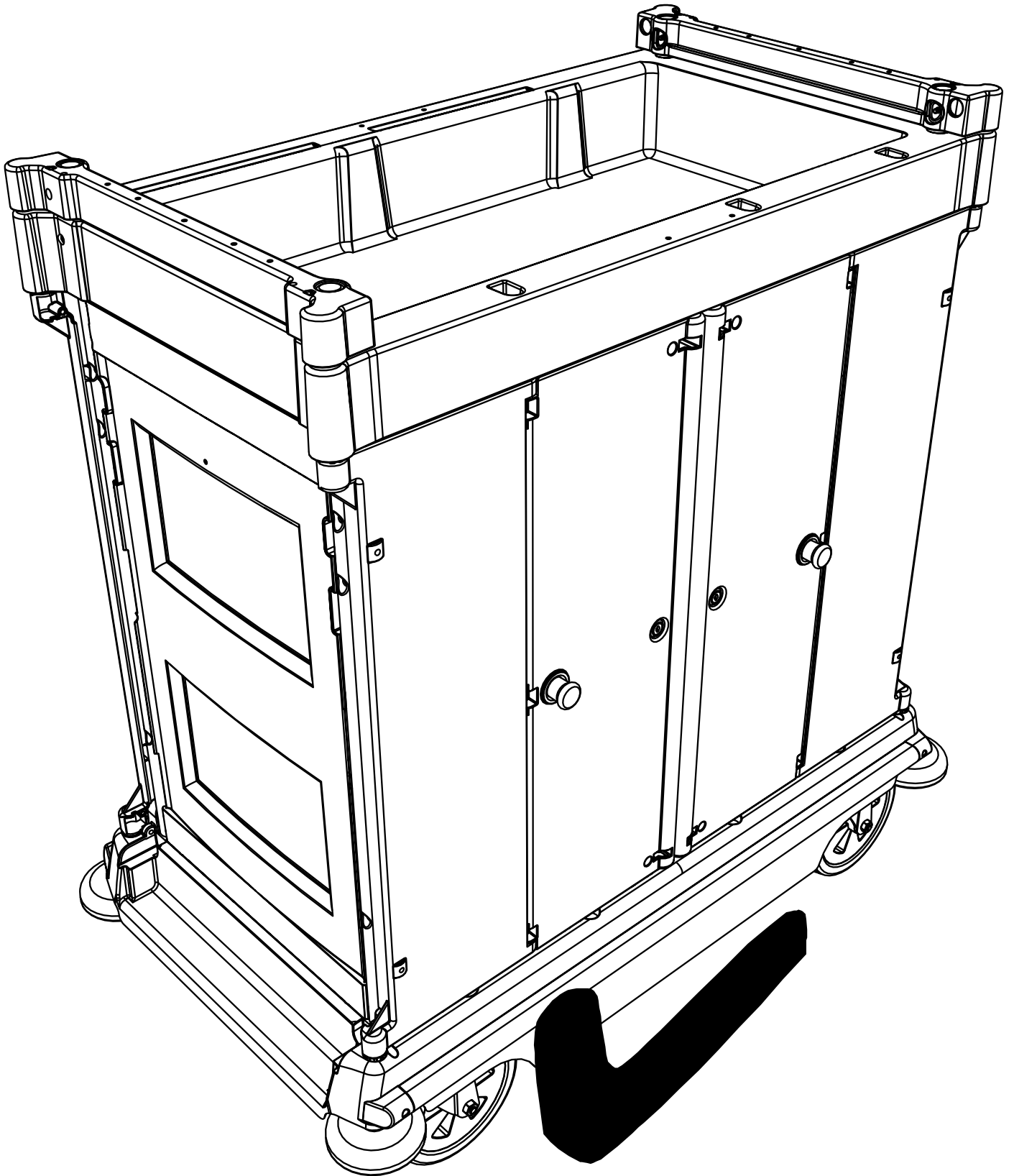
219057  
M5 X 25



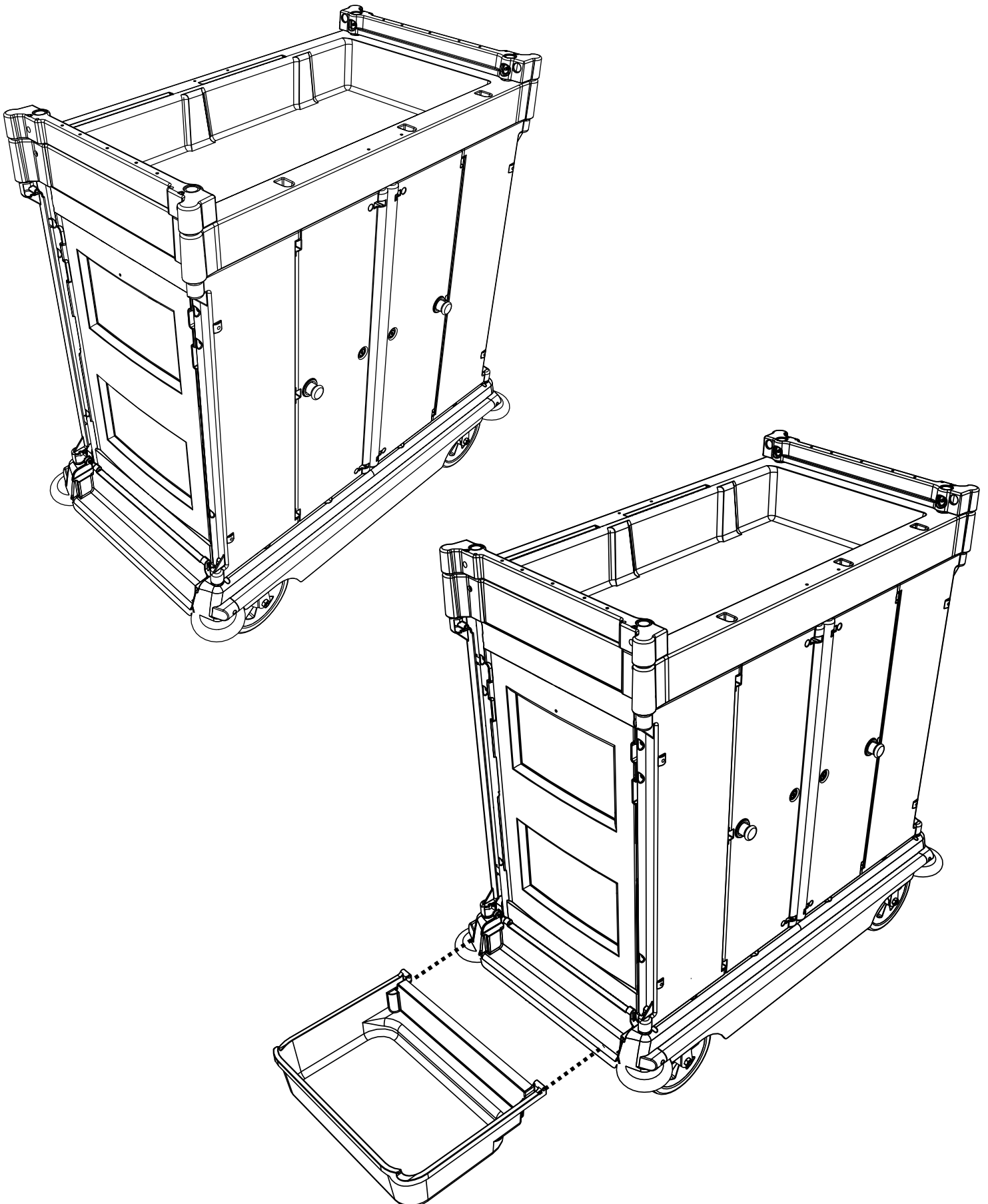
**x 4**



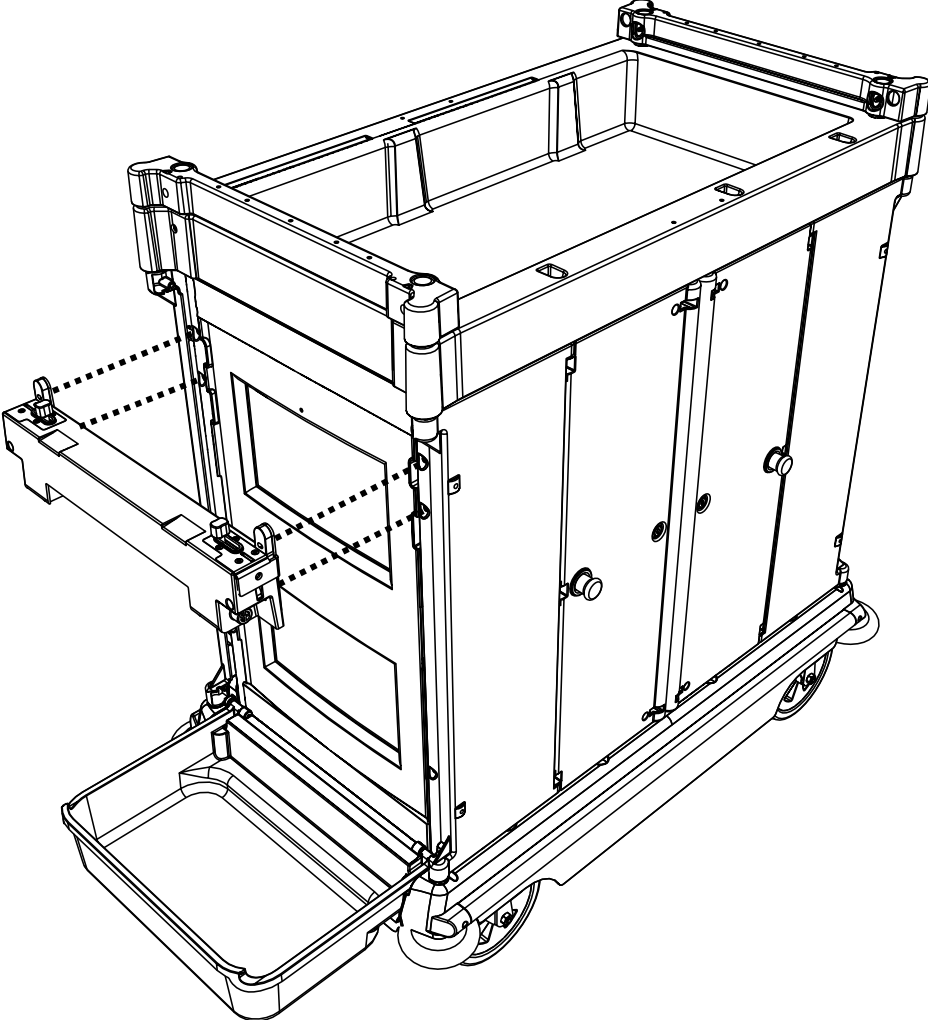
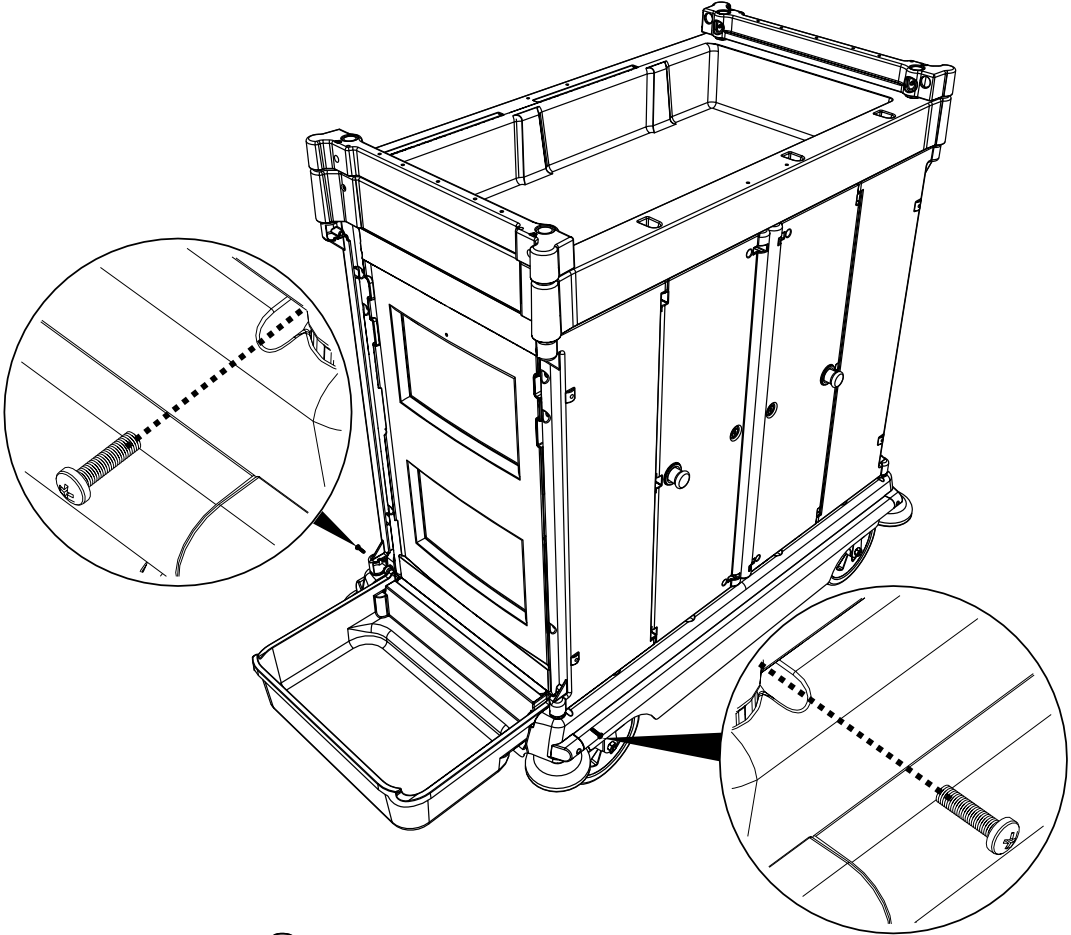
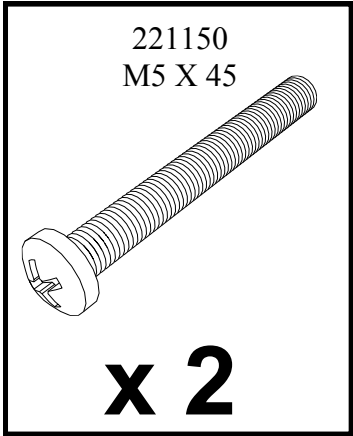
# NKU 30 HF



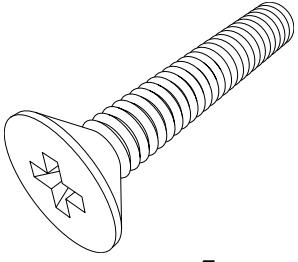
# NKU 31,32 HF



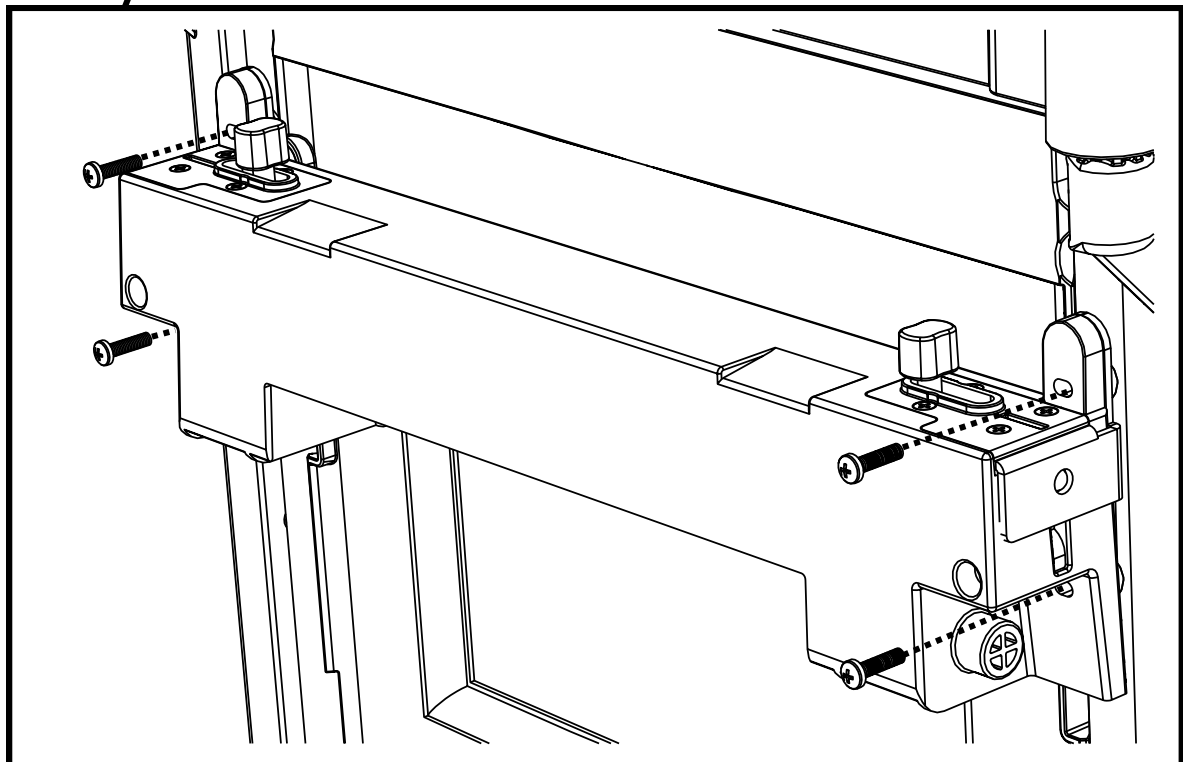
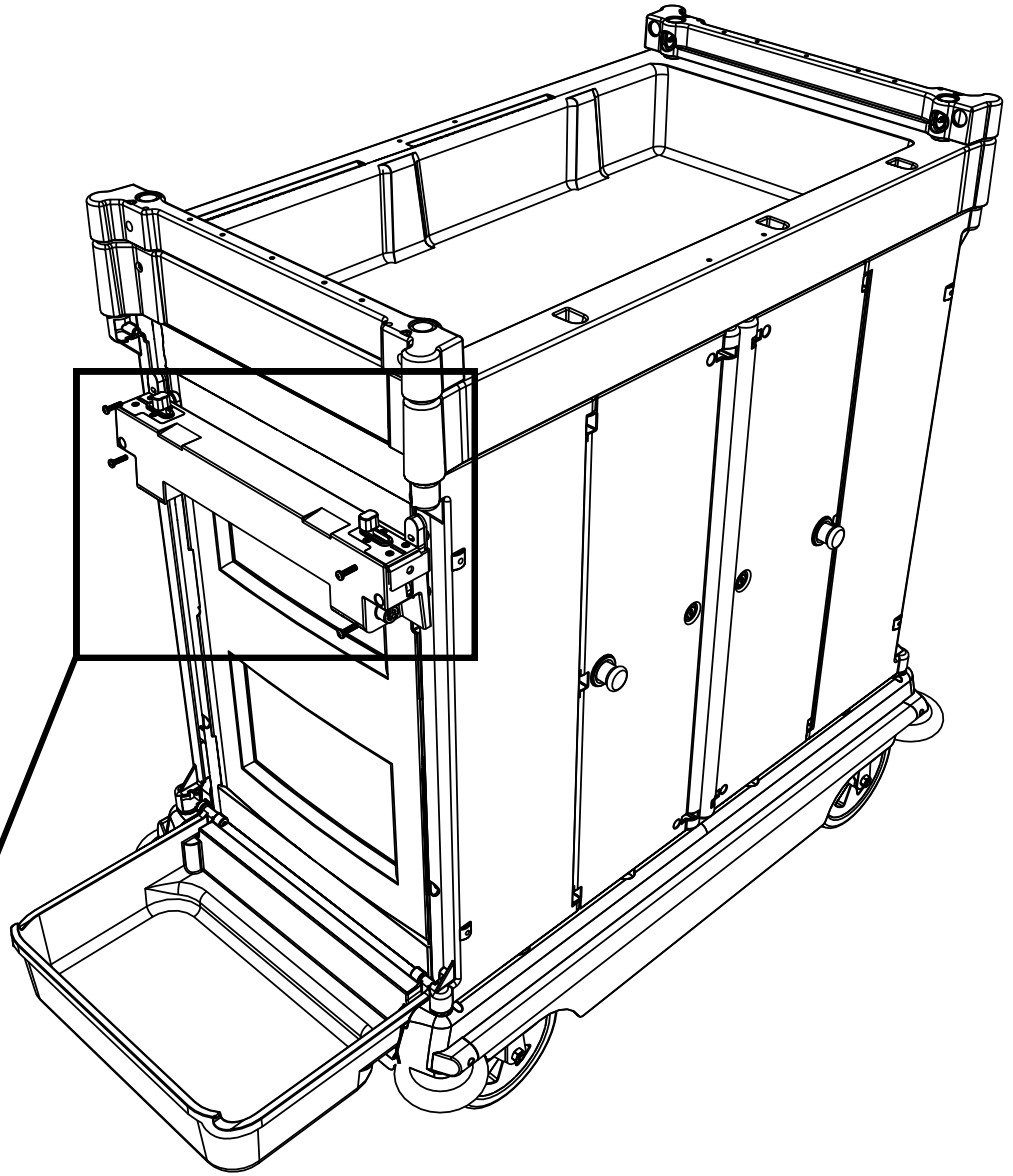
# 31.A

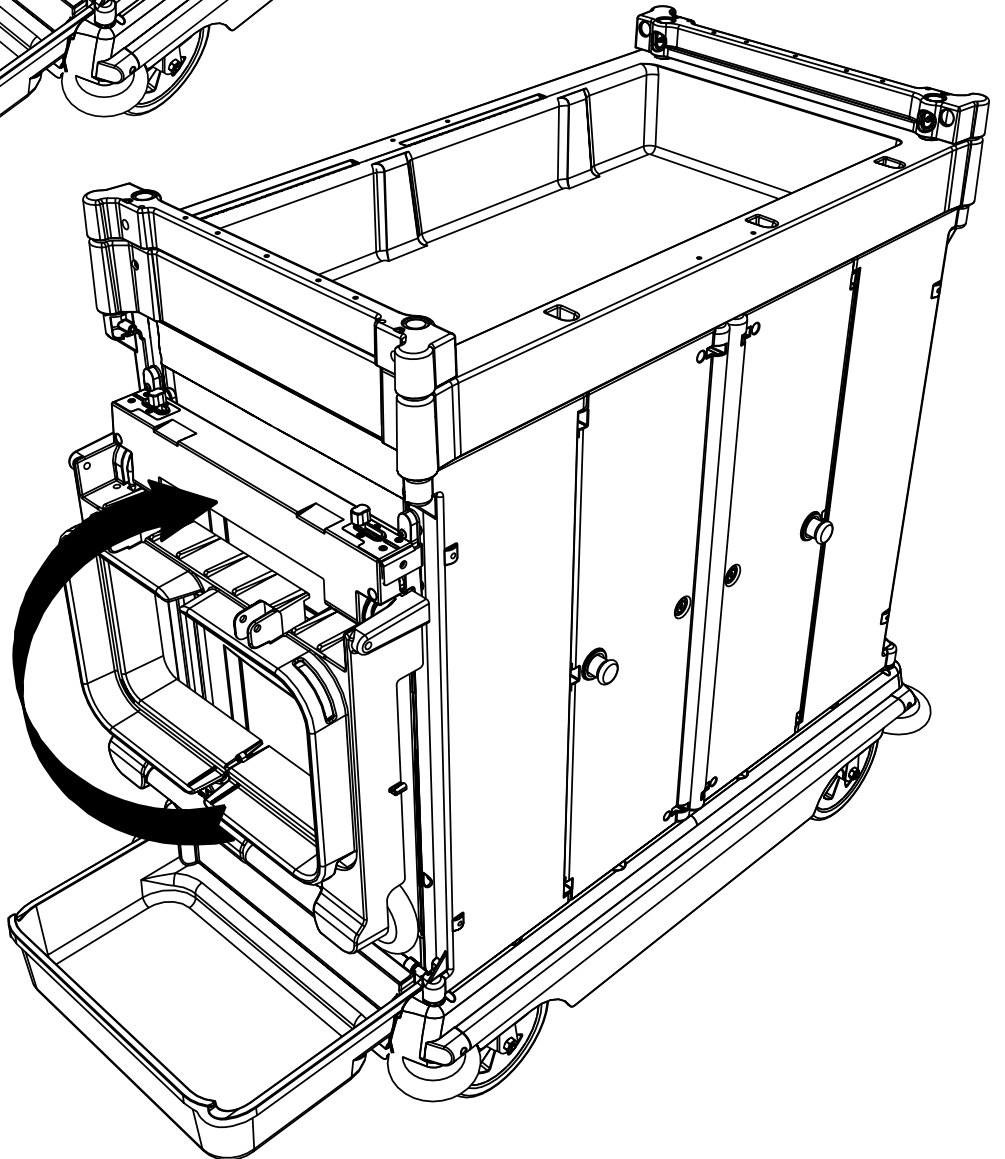
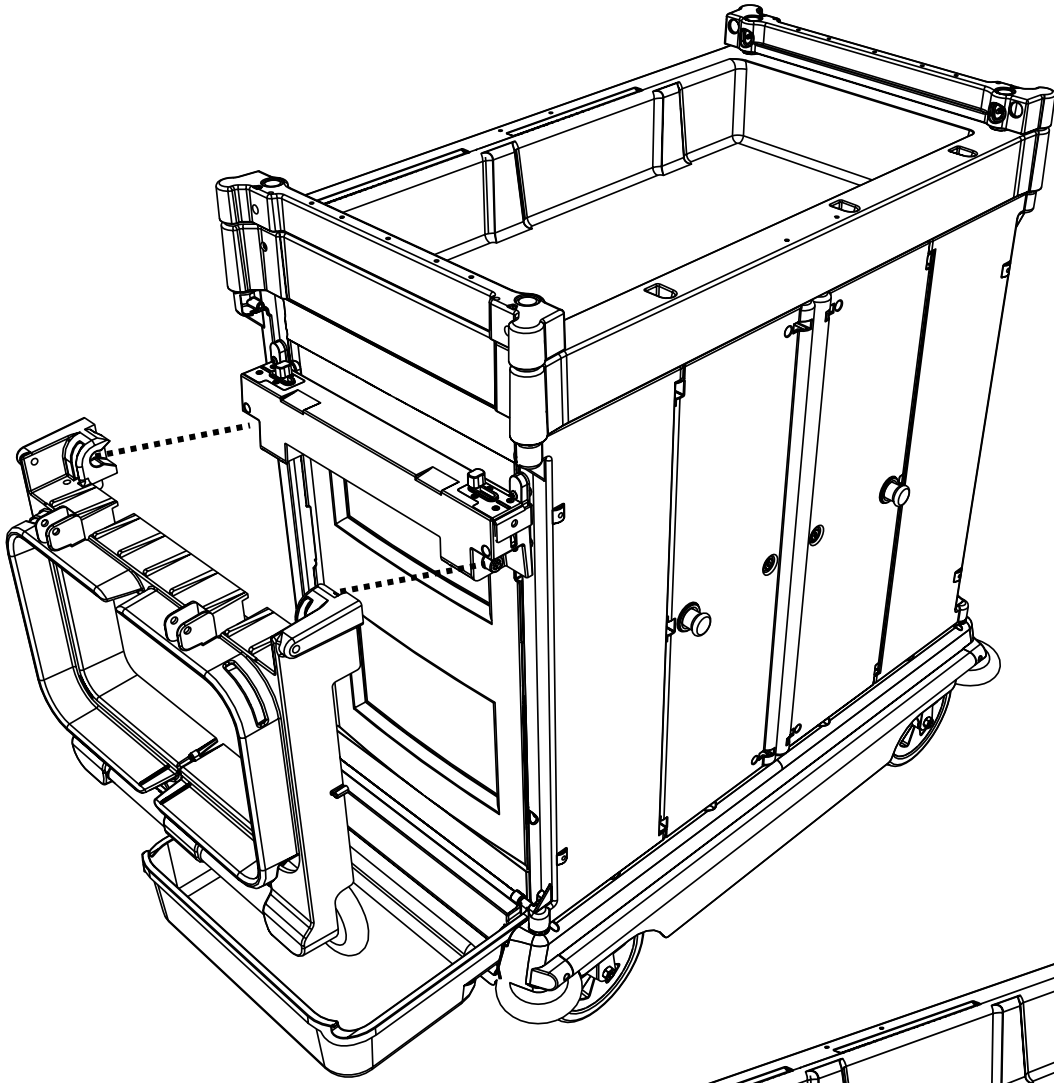


904520

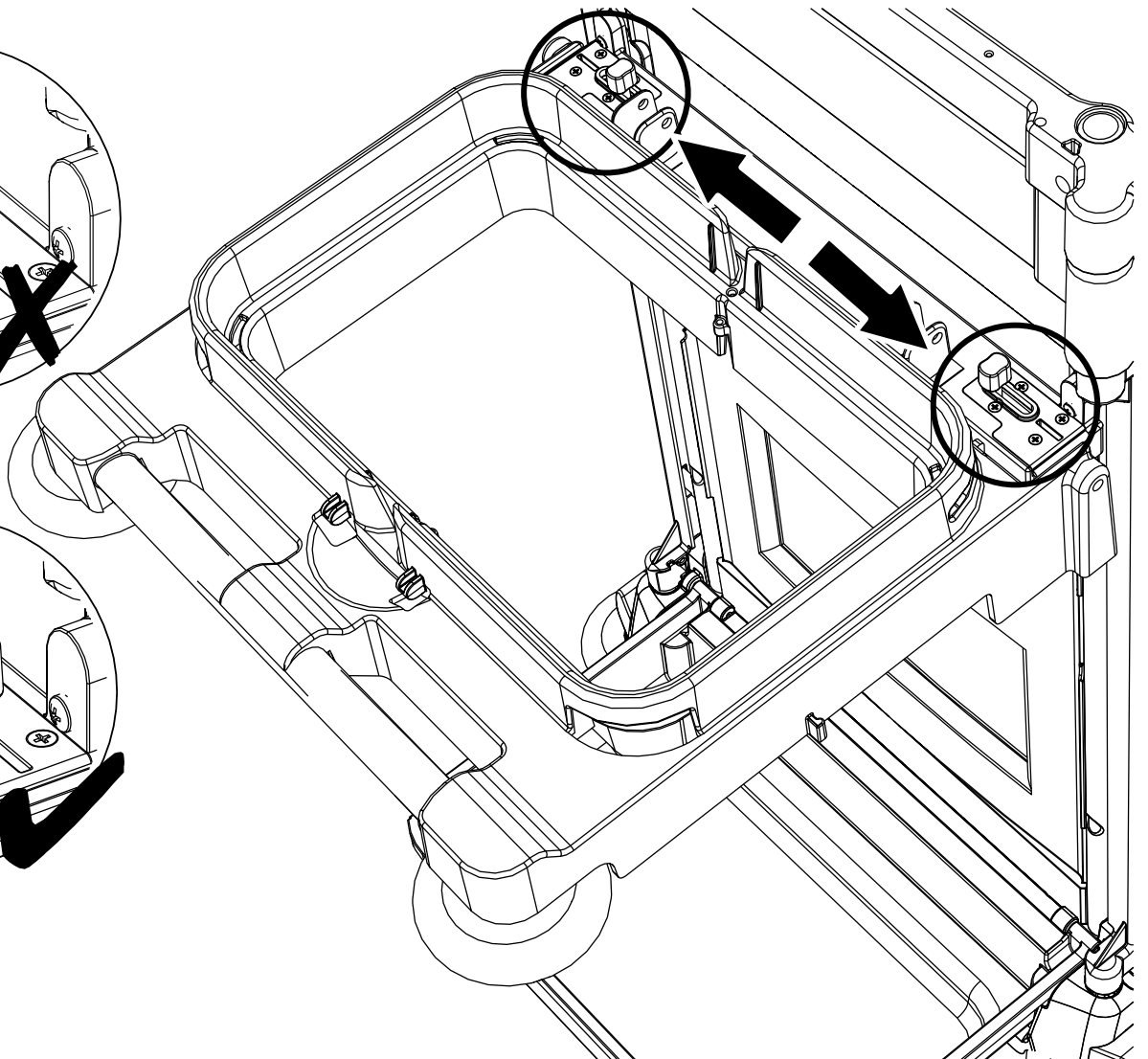
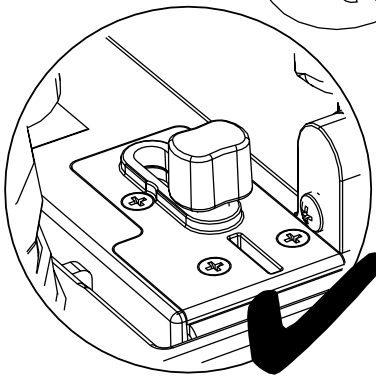
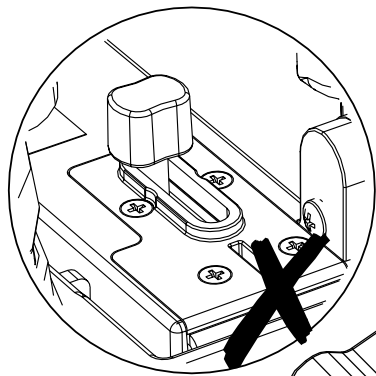
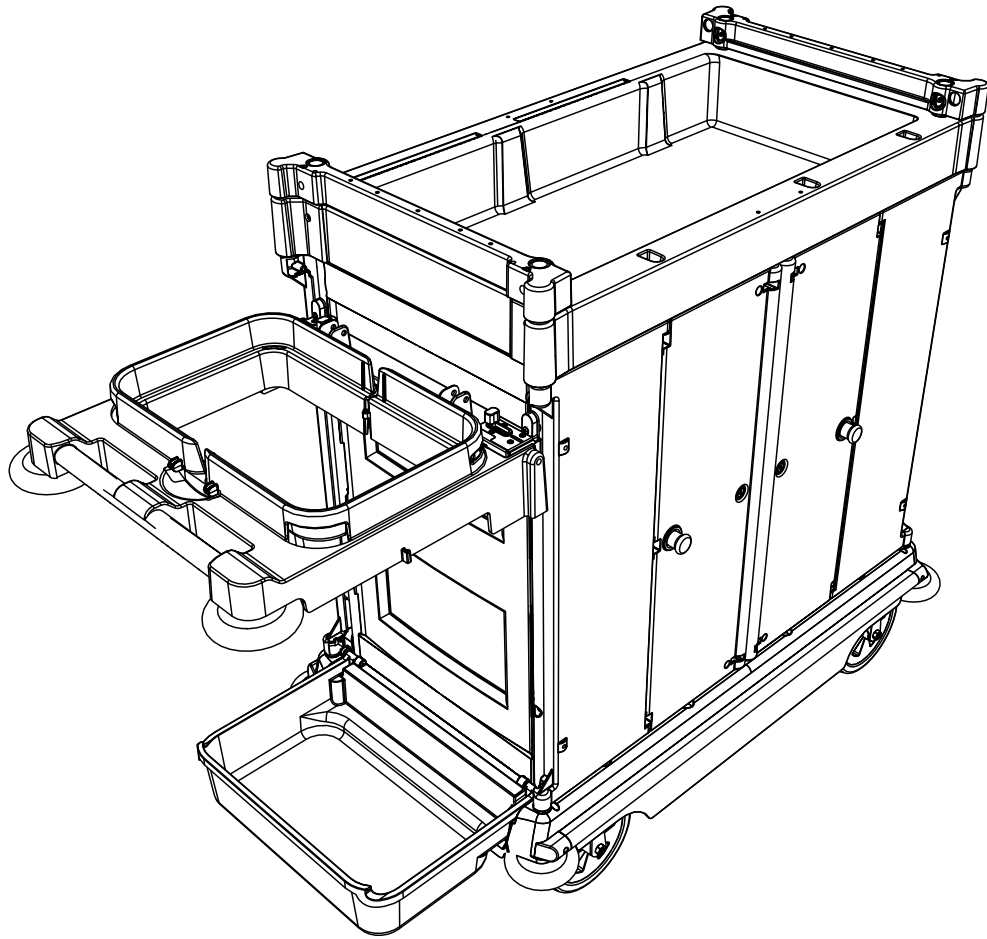


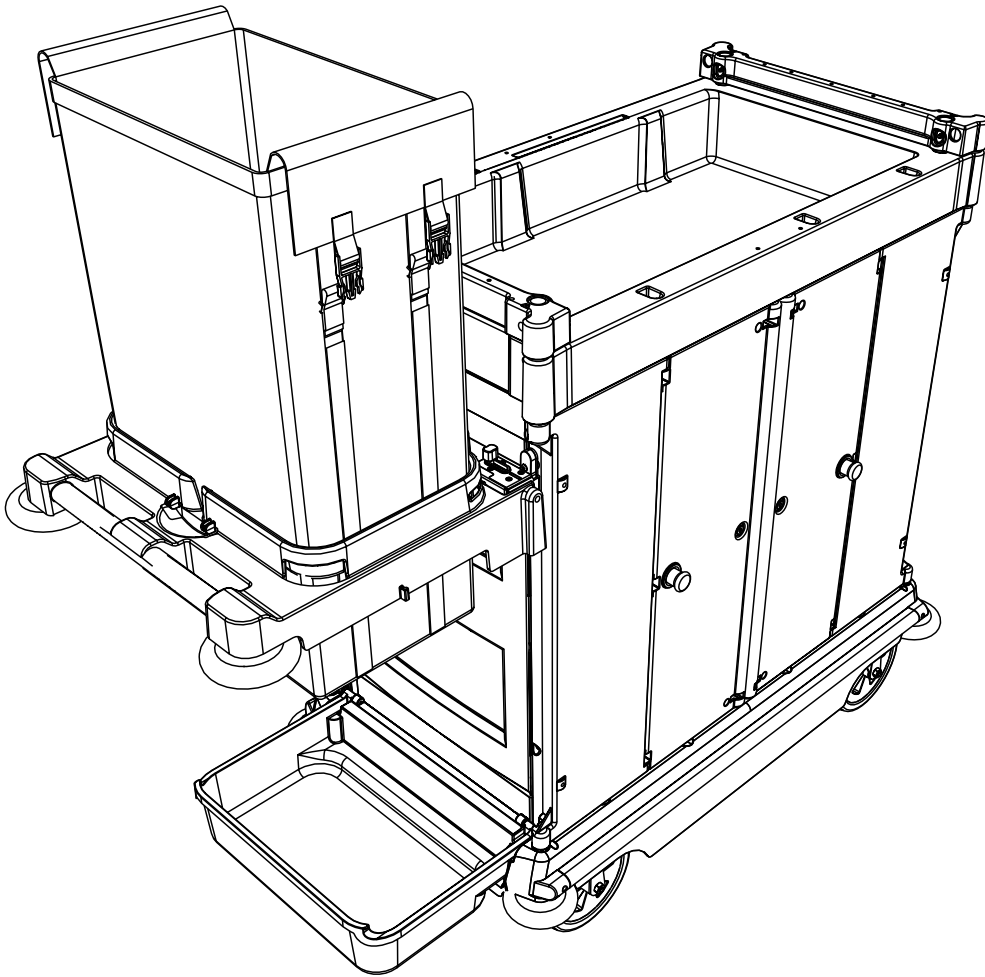
**x 4**



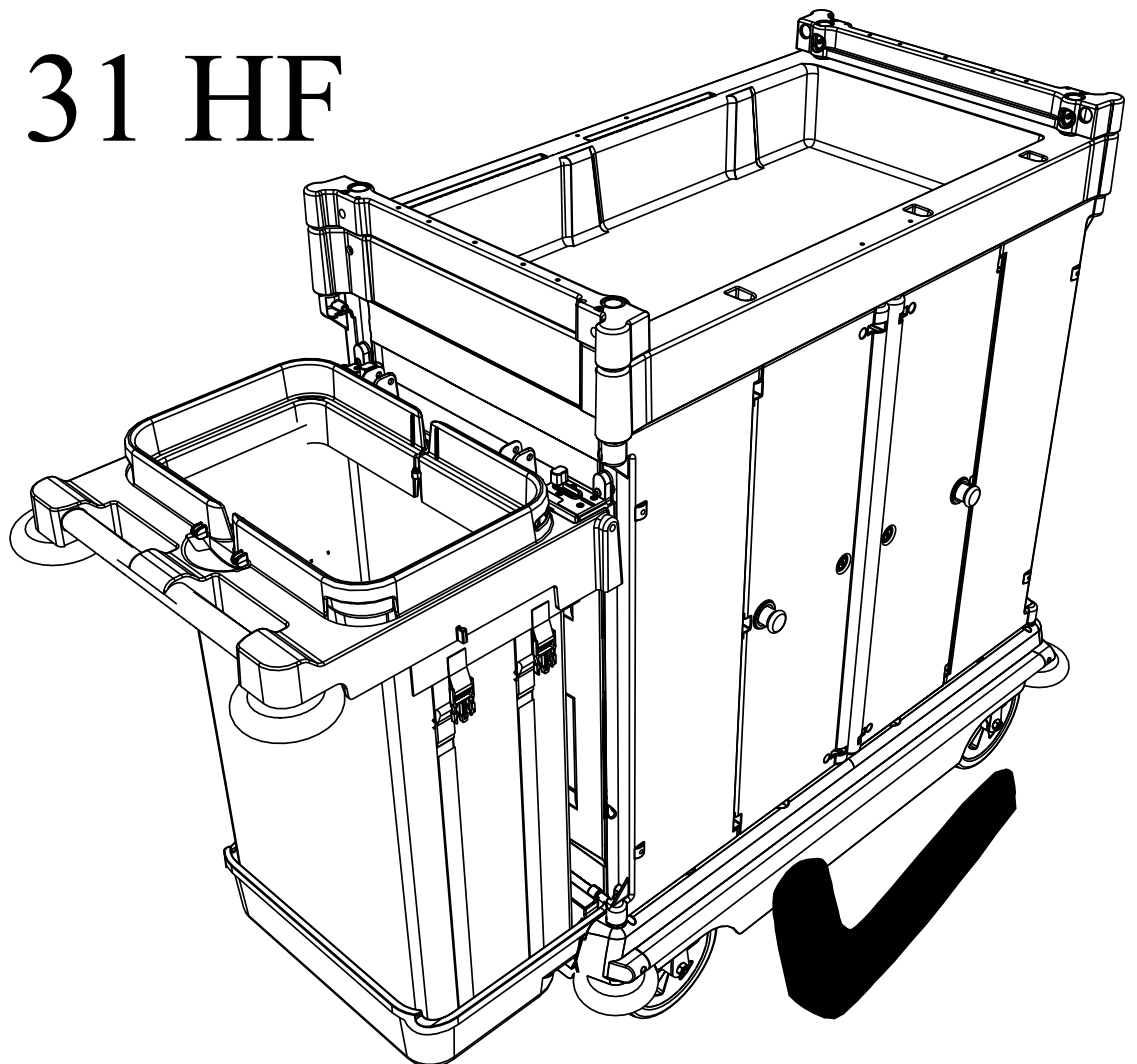








# NKU 31 HF



# NKU 32 HF

PAGES 22-27

31.A

X 2

