

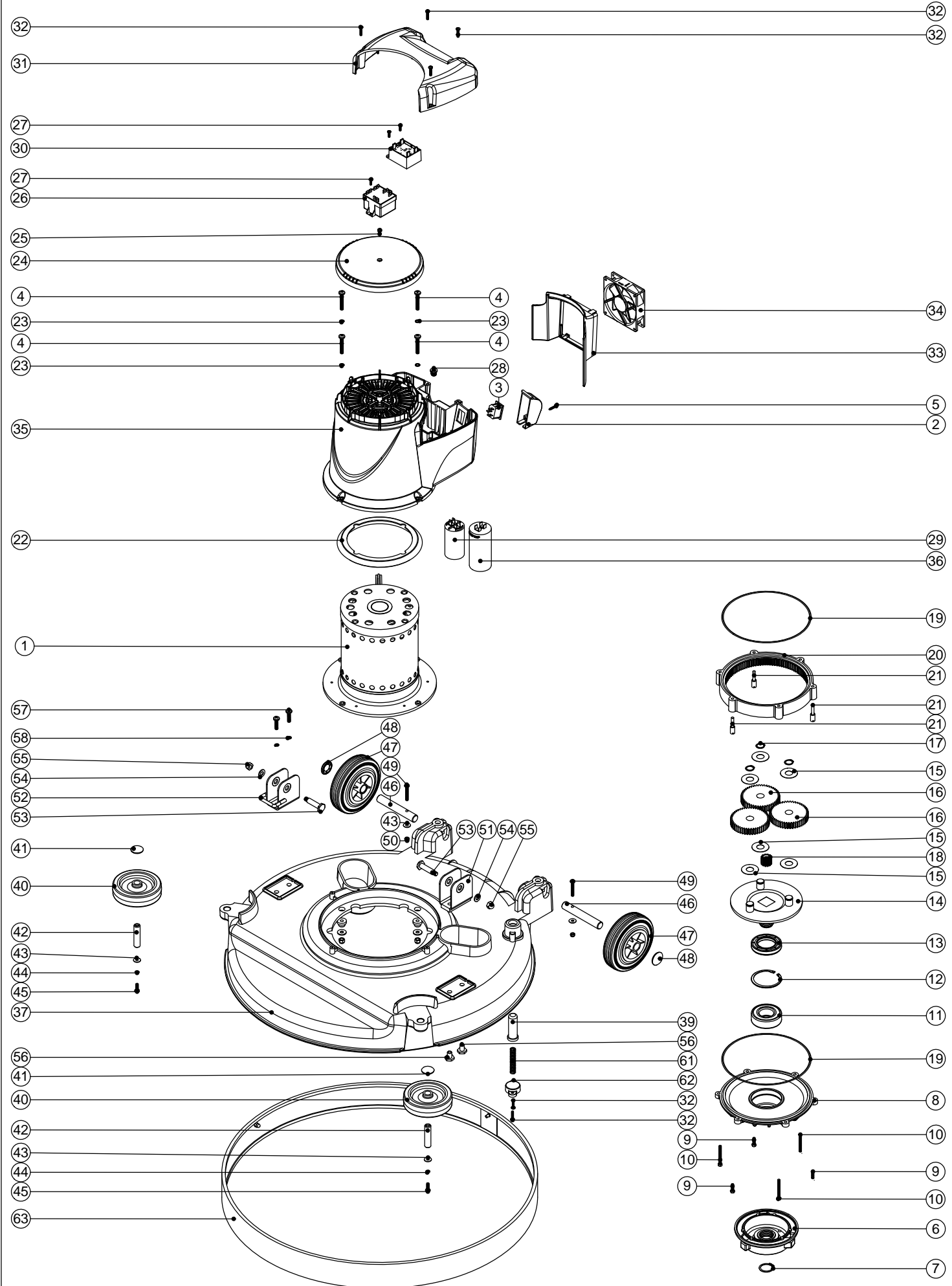


# Numatic International Spare Parts

## Model No: TT-6650S Base / Deck Assembly

234693  
DRAWING: DRW-4622 ISS:A03  
17/05/2010

NB: FOR WIRING SEE DRAWING: WD-0210



# Numatic International Spare Parts

## Model No: TT-6650S Base / Deck Assembly

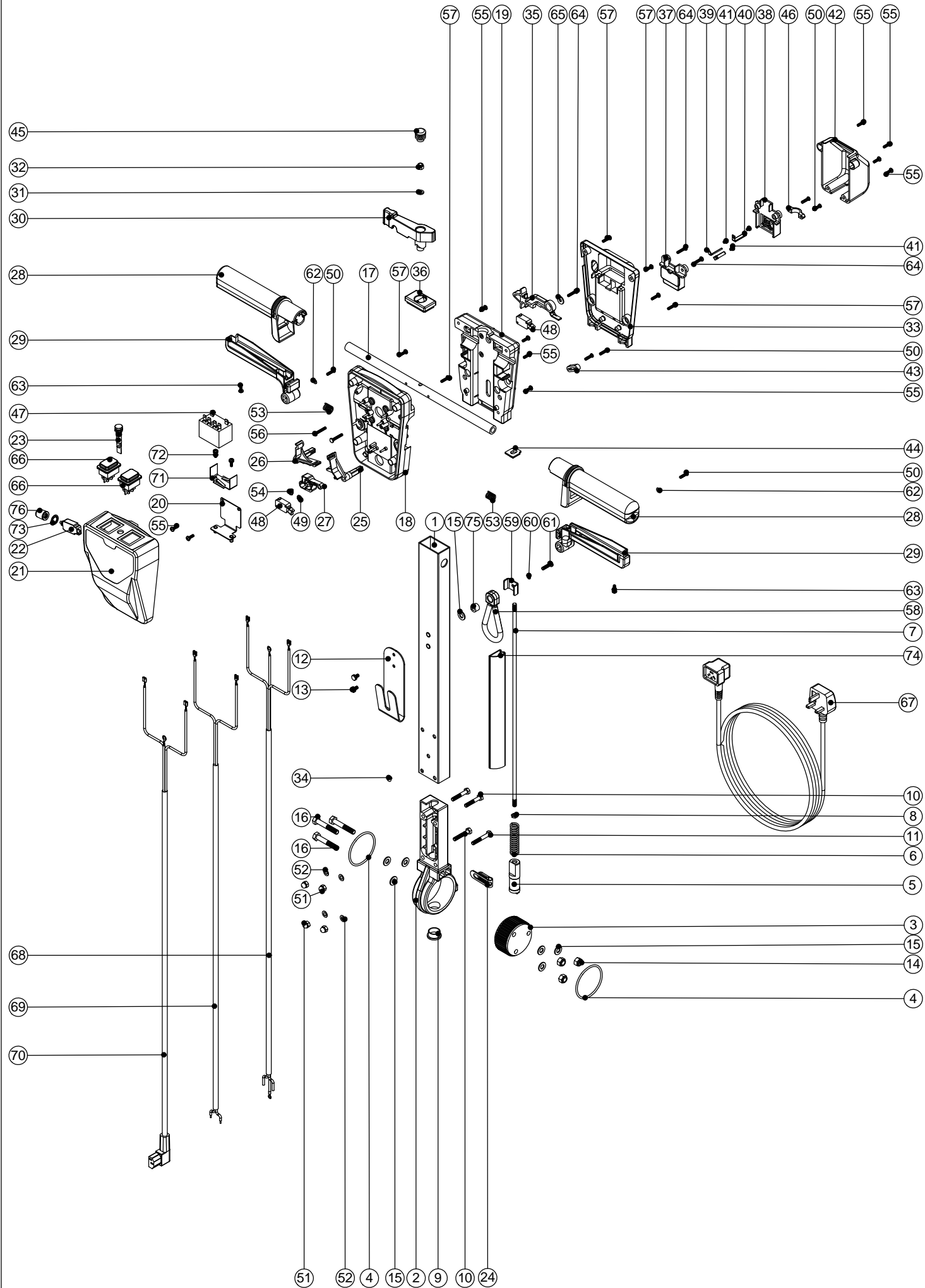
POS:	ITEM NO:	DESCRIPTION:	COMMENTS:
1	205217	COMBINED INDUCTION MOTOR 4POLE 220-240V 50Hz	
	205219	COMBINED INDUCTION MOTOR 4POLE 220V 60Hz	
	205220	COMBINED INDUCTION MOTOR 4POLE 120V 60Hz	
	205221	COMBINED INDUCTION MOTOR 4POLE 110V 50Hz	
2	229213	PLUG COVER	
3	220584	RENDAR CLIP IN PLUG	
4	219982	M6 X 40MM LONG POZI PAN STAINLESS STEEL SCREW	
5	219107	No6 X 5/8 INCH LONG POZI PAN PLASTITE SCREW	
6	230207	CHUCK	
7	230048	26MM EXTERNAL CIRCLIP	
8	230208	DIE CAST BOTTOM PLATE ASSEMBLY	
9	219904	M5 X16MM LONG HEXAGONAL STAINLESS STEEL BOLT	
10	219706	M5 X 45MM LONG STAINLESS STEEL HEXAGONAL BOLT	
11	230094	62MM O/D X 30MM I/D X 20MM BEARING (WITH SEALS)	
12	230200	62MM INTERNAL CIRCLIP	
13	230158	VITON OIL SEAL (BROWN)	
14	230291	PLANET CARRIER & PIN ASSEMBLY (50HZ STANDARD SPEED)	
15	230215	35MM X 15 I/D ALUMINIUM WASHER	
16	230013	48 TOOTH SPUR GEAR(STANDARD SPEED 50/60HZ)	
17	230015	15MM EXTERNAL CIRCLIP	
18	230027	12 TOOTH PINION GEAR (STANDARD SPEED)	
19	230001	V OIL SEAL	
20	214115	GEAR BOX MID SECTION	
21	208207	GEARBOX FASTENER WITH SLOT	
22	227556	TOP MOTOR GASKET	
23	219544	M6 SHAKEPROOF WASHER	
24	229971	CAP MOULDING	
25	219471	M4 X 12MM LONG POZI PAN SEMS SCREW	
26	206823	230V SINGLE SPEED VOLTAGE RELAY	220V & 230V MACHINES
	206822	110V/120V VOLTAGE RELAY	110V & 120V MACHINES
27	219318	No6 X 1/2 INCH LONG POZI PAN PLASTITE SCREW	
28	219453	M8 MULTISERT	
29	220876	20 MFD MOTOR RUN CAPACITOR (450V)	220V & 230V MACHINES
	208211	80uF MOTOR RUN CAPACITOR	120V MACHINES
	208219	70uF MOTOR RUN CAPACITOR	110V MACHINES
30	206753	UNIVERSAL POWER SUPPLY	
31	237071	GRAPHITE LID MOULDING	
32	219568	No8 X 3/4 INCH LONG POZI PAN STAINLESS STEEL SCREW	
33	229972	FAN GUARD MOULDING	
34	205072	PROCESSED 12V DC BRUSHLESS FAN	
35	328132	GRAPHITE MOTOR COWL MOULDING PRINTED	
36	208265	MOTOR START CAPACITOR 100 MFD C/W RESISTOR & M8 STUD	220V & 230V MACHINES
	208210	MOTOR START CAPACITOR 430-516uF PLASTIC CASE.DOUBLE 6.3MM TERMINALS & STUD	110V & 120V MACHINES
37	229273	BASE MOULDING GRAPHITE GREY	
38	229285	MOTOR MOUNTING SPACER	
39	229128	PLUNGER	
40	329112	100MM WHEEL	
41	204021	12.7MM STAINLESS STEEL HUB CAP	
42	229279	BUFFER WHEEL PIN	
43	219644	M5 FORM G STAINLESS STEEL WASHER	
44	219016	M5 SHAKEPROOF WASHER	
45	219547	M5 X 16MM LONG POZI PAN STAINLESS STEEL SCREW	
46	229280	REAR WHEEL PIN	
47	229060	WHEEL GREY BLACK HUB	
48	229266	16.0MM CAP	
49	220033	M5 X 35MM LONG POZI PAN SCREW	
50	219633	M5 STAINLESS STEEL NYLON INSERT NUT	
51	429035	PIVOT BRACKET WELDED ASSEMBLY	
52	429036	LOCKING PIVOT BRACKET WELDED ASSEMBLY	
53	206236	PIVOT PIN	
54	219010	M8 FORM A WASHER	
55	219077	M8 DOMENUT	
56	219606	BRACKET SPACER	
57	219056	M6 X 25MM LONG POZI PAN SCREW	
58	219549	M6 SINGLE COIL WASHER	
59	219008	M6 FORM G WASHER	
60	219088	M6 NYLON INSERT NUT	
61	219394	COMPRESSION SPRING	
62	223242	PLUNGER MOUNTING PLATE MOULDING	
63	578010	TTA-91 SPLASH SKIRT ASSEMBLY	



# Numatic International Spare Parts

## Model No: TT-6650 Handle Assembly

234336  
DRAWING: EXP-0767 ISS:A04  
22/04/2009



# Numatic International Spare Parts

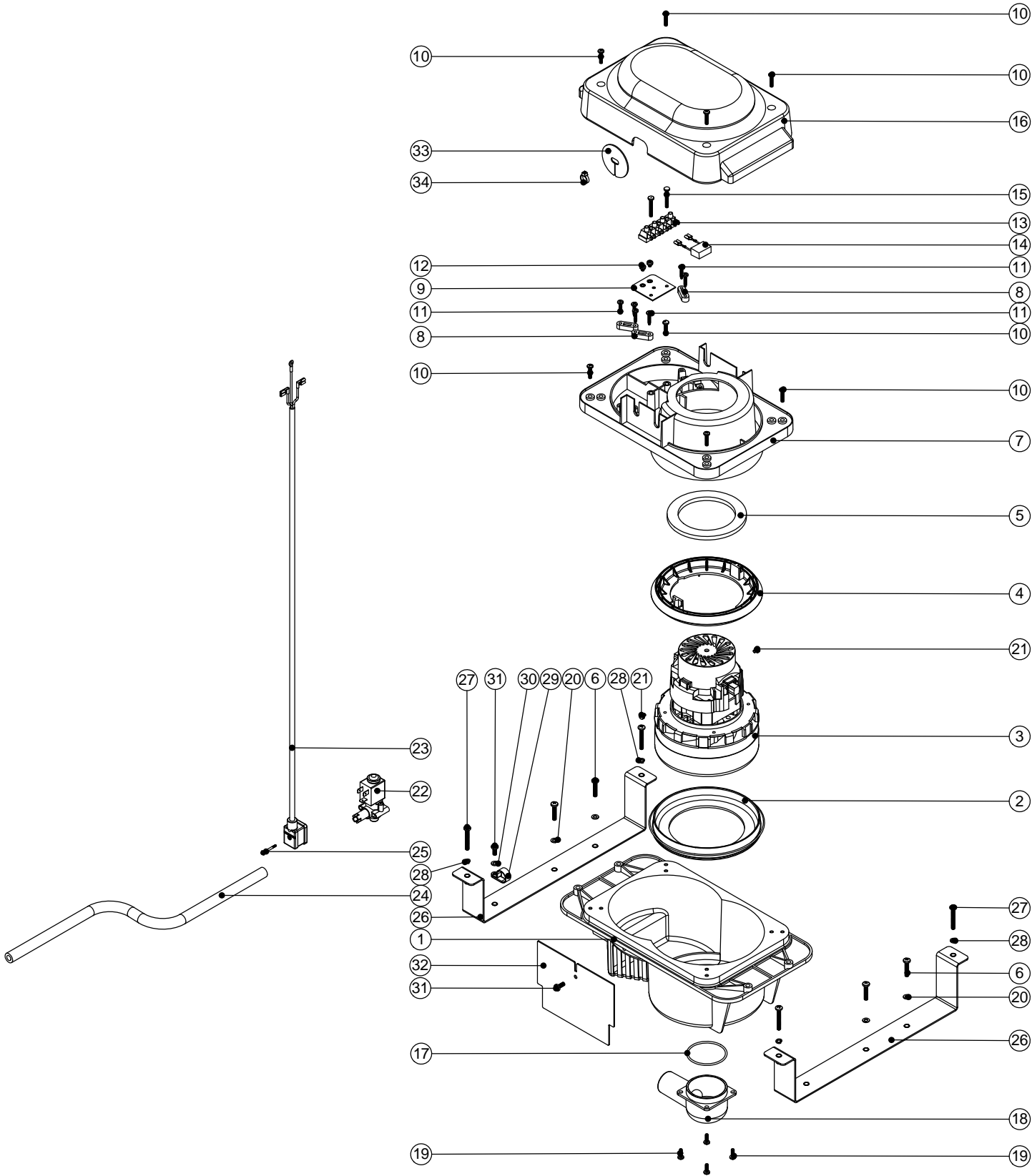
## Model No: TT-6650 Handle Assembly

POS:	ITEM NO:	DESCRIPTION:	COMMENTS:
1	429074	430MM PAINTED PROCESSED ALUMINIUM HANDLE	
2	229081	HANDLE CASTING MACHINED	
3	229074	ADJUSTMENT GEAR	
4	219254	O RING 3MM DIA X 60MM I/D	
5	229073	GEAR LOCKING PIN	
6	229138	SPRING	
7	229461	440MM HANDLE LOCKING ROD	
8	219099	M6 HALF NUT	
9	229099	25MM DIA HOLE PLUG	
10	219064	M6 X 35MM LONG HEX BOLT	
11	21965V	M6 X 40MM LONG HEX BOLT	
12	329460	SEPERATOR HANGING BRACKET	
13	219047	M5 X 10MM LONG POZI PAN SEMS SCREW	
14	219078	M8 NYLON INSERT NUT	
15	219010	M8 FORM A WASHER	
16	219091	M8 X 50MM LONG HEX BOLT	
17	338269	CROSS TUBE	
18	227576	FRONT INNER HALF MOULDING	
19	229508	FRONT INNER HALF MOULDING	FLAME RETARDANT CSA MACHINES
20	227577	REAR INNER HALF MOULDING	
21	329484	REAR INNER HALF MOULDING	FLAME RETARDANT CSA MACHINES
22	303526	NUTSERTED RELAY MOUNTING BRACKET	
23	227669	FRONT COVER MOULDING (MAINS + C B HOLE)	
24	229506	FRONT COVER MOULDING (MAINS + C B HOLE)	FLAME RETARDANT CSA MACHINES
25	220440	8 AMP OVERLOAD	
26	220441	16 AMP OVERLOAD	120V MACHINES
27	220812	230V NEON INDICATOR & RED LENS	
28	220813	120V NEON INDICATOR & RED LENS	
29	229139	P-CLIP	
30	227585	LEFT HAND SWITCH OPERATING LEVER MOULDING	
31	227586	RIGHT HAND SWITCH OPERATING LEVER MOULDING	
32	227587	CENTRE SWITCH OPERATING LEVER MOULDING	
33	227580	HAND GRIP MOULDING	
34	229500	TRIGGER MOULDING BLUE	
35	227583	ADJUSTMENT LEVER MOULDING	
36	219493	M6 NYLON WASHER	
37	219088	M6 NYLON INSERT NUT	
38	227676	REAR COVER	
39	229507	REAR COVER	FLAME RETARDANT CSA MACHINES
40	229009	BLANKING PLUG	
41	227584	INTERLOCK LEVER MOULDING	
42	227582	HANDLE PLUG MOULDING	
43	227691	TERMINAL BLOCK	
44	229510	TERMINAL BLOCK	FLAME RETARDANT CSA MACHINES
45	227680	TERMINAL BLOCK COVER	
46	229511	TERMINAL BLOCK COVER	FLAME RETARDANT CSA MACHINES
47	206562	CONTACT PIN	
48	206563	EARTH CONTACT PIN	
49	219090	M4 X 8MM LONG POZI PAN SEMS SCREW	
50	227678	SOCKET COVER	
51	229512	SOCKET COVER	FLAME RETARDANT CSA MACHINES
52	227008	BLACK CABLE CLAMP	
53	329485	BLACK CABLE CLAMP	FLAME RETARDANT CSA MACHINES
54	227666	BLANKING PLUG	
55	20638V	CSP-302 BLACK TUBE END STOP	
56	216290	CABLE CLAMP	
57	206575	240V / 25A RELAY	
58	206576	120V / 25A RELAY	
59	229483	SNAP ACTION SWITCH	
60	219805	4MM SPIREX	
61	219107	No6 X 5/8 INCH LONG POZI PAN PLASTITE SCREW	
62	219080	M6 DOMENUT	
63	219007	M6 FORM B WASHER	
64	219803	TRIGGER COMPRESSION SPRING	
65	219804	SWITCH COMPRESSION SPRING	
66	219569	No8 X 1/2 INCH LONG POZI PAN STAINLESS STEEL PLASTITE SCREW	
67	219811	NO8 X 1 INCH LONG POZI-PAN SELF TAP SCREW	
68	219105	No8 X 5/8 INCH LONG POZI PAN PLASTITE SCREW	
69	226008	STRESS RELIEF	
70	329231	STRESS RELIEF BRACKET	
71	219016	M5 SHAKEPROOF WASHER	
72	219054	M5 X 20MM LONG POZI PAN SCREW	
73	219206	M4 FORM A WASHER	
74	219270	No8 X 1/2 INCH LONG POZI PAN SELF TAP SCREW	
75	219568	No8 X 3/4 INCH LONG POZI PAN STAINLESS STEEL SCREW	
76	219005	M5 FORM G WASHER	
77	270146	GREEN ILLUMINATED SWITCH + MEMBRANE	
78	236012	20.0M X 1.50MM X 3 CORE NUCABLE (UK PLUG)	
79	236132	20.0M X 1.50MM X 3 CORE X YELLOW CABLE X SOCKET (EURO PLUG)	
80	236020	20.0M X 1.50MM X 3 CORE NUCABLE (SWISS PLUG)	
81	236024	20.0M X 1.50MM X 3 CORE NUCABLE (SOUTH AFRICAN PLUG)	
82	236032	20.0M X 1.50MM X 3 CORE NUCABLE (AUSTRALIAN PLUG)	
83	236028	20.0M X 14AWG X 3 CORE YELLOW CABLE (CSA/USA PLUG)	
84	320737	MK2 VAC MOTOR LEAD ASSEMBLY	
85	321163	EURO SOLENOID VALVE LEAD ASSEMBLY	
86	321164	CSA SOLENOID VALVE LEAD ASSEMBLY	
87	320735	MK2 MOTOR LEAD ASSEMBLY	
88	206500	RELAY BRACKET	
89	219471	M4 X 12MM LONG POZI PAN SEMS SCREW	
90	219702	M10 INTERNAL LOCK WASHER	
91	391074	244MM LONG CUT SELF ADHESIVE CABLE DUCTING	
92	226006	SPACER (BLACK)	
93	220459	OVERLOAD DUST COVER	

**Numatic International Spare Parts**

**Model No: TT-6650 Vac Pod Assembly**

234338  
DRAWING: EXP-0769 ISS:A02  
22/09/2009



**Numatic International Spare Parts**

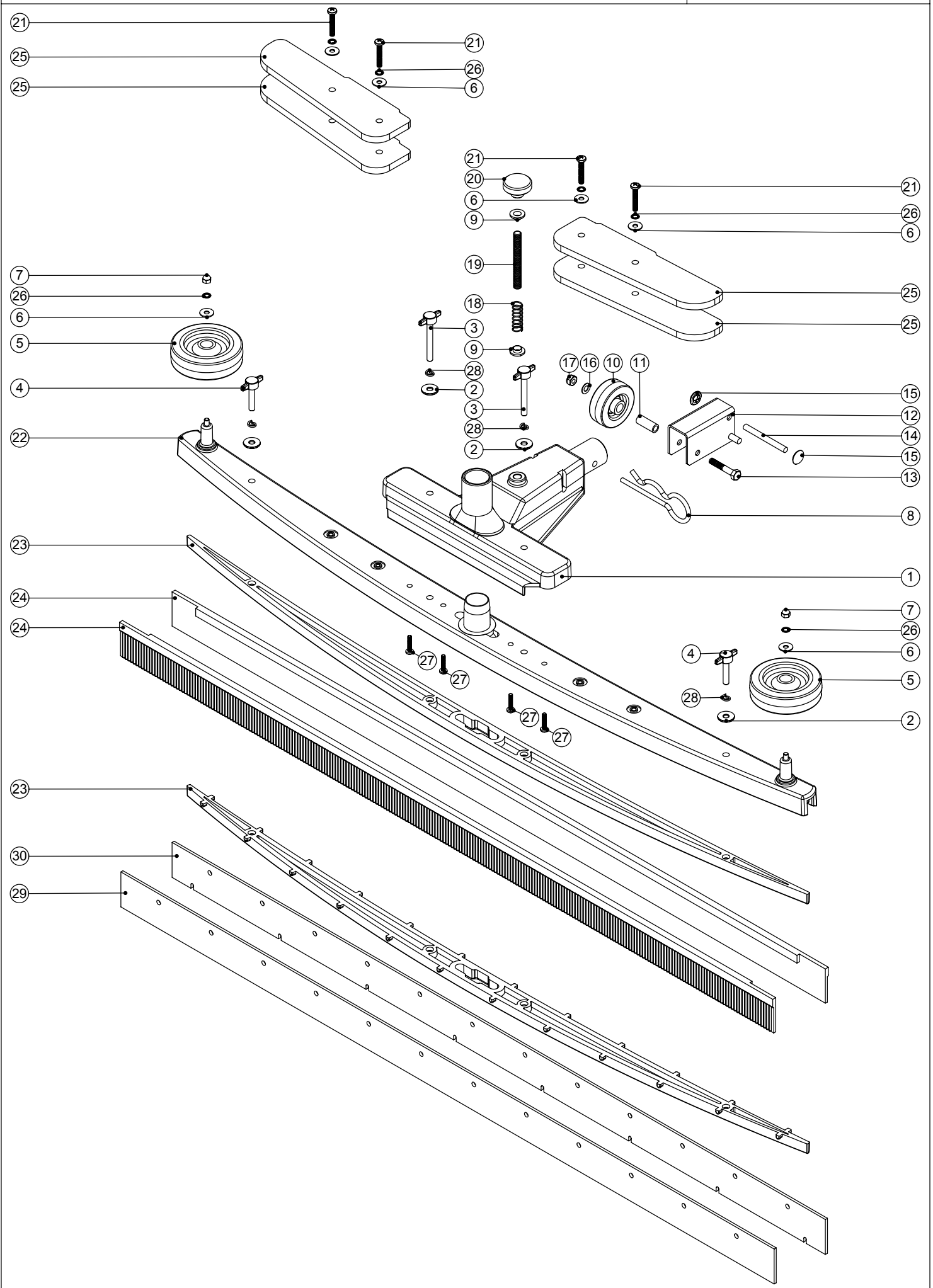
**Model No: TT-6650 Vac Pod Assembly**

POS:	ITEM NO:	DESCRIPTION:	COMMENTS:
1	303905	BOTTOM MOTOR HOUSING (PROCESSED / FLAME RETARDENT)	
	227231	BOTTOM MOTOR HOUSING	120V CSA MACHINES
2	202111	BOTTOM MOTOR GASKET	
3	205411	240V 2 STAGE D.I BYPASS ACUSTEK MOTOR (BL21104)(MARKED 230V)	
	205409	120V 2 STAGE D.I BYPASS ACUSTEK MOTOR (BL21101)	
4	202107	TOP MOTOR GASKET	
5	202078	MOTOR CAP GASKET	
6	219575	M5 X 25MM LONG POZI PAN STAINLESS STEEL SCREW	
7	229998	VAC POD TOP MOTOR HOUSING C/W TAPPEX	STANDARD MACHINES
	229993	VAC POD TOP MOTOR HOUSING C/W TAPPEX	120V CSA MACHINES
8	227008	BLACK CABLE CLAMP	
9	303291	TERMINAL BLOCK FIXING BRACKET	
10	219568	No8 X 3/4 INCH LONG POZI PAN STAINLESS STEEL SCREW	
11	219107	No6 X 5/8 INCH LONG POZI PAN PLASTITE SCREW	
12	219090	M4 X 8MM LONG POZI PAN SEMS SCREW	
13	220204	TERMINAL BLOCK	
14	321068	SUPPRESOR ASSEMBLY	
15	219321	M4 X 30MM LONG POZI PAN SCREW	
16	229206	VAC POD TOP COVER MOULDING	STANDARD MACHINES
	227233	VAC POD TOP COVER MOULDING	120V CSA MACHINES
17	219561	51.6MM I/D O RING	
18	229207	INLET TUBE	
19	219569	No8 X 1/2 INCH LONG POZI PAN STAINLESS STEEL PLASTITE SCREW	
20	219003	M5 FORM A STEEL WASHER	
21	219566	M4 X 6MM LONG POZI PAN SCREW	
22	220348	SOLENOID VALVE 240V 50/60HZ	
	220349	SOLENOID VALVE 220V 50/60HZ	
	220350	SOLENOID VALVE 110V 50HZ	
	220425	SOLENOID VALVE 110/120V 50/60HZ	
23	320533	SOLENOID VALVE LEAD ASSEMBLY (MOULDED PLUG)	
	320534	SOLENOID VALVE LEAD ASSEMBLY (C/W MPM CONNECTOR)	120V CSA MACHINES
24	229168	SILICON TUBE 8MM I/D X 3.2MM WALL SECTION	
25	219694	M3 X 25MM LONG MPM CONNECTOR SCREW	
26	303638	NUTSERTED VAC POD BRACKET	
27	219661	M5 X 35MM LONG POZI PAN STAINLESS STEEL SCREW	
28	219861	M5 SINGLE COIL STAINLESS STEEL WASHER	
29	219514	P-CLIP	
30	219355	M5 FORM A STAINLESS STEEL WASHER	
31	219740	M5 X 12MM LONG STAINLESS STEEL POZI PAN SCREW	
32	392009	DIVERTER PLATE	
33	392010	DIVERTER DISC	
34	220007	CABLE TIE (BLACK)	

# Numatic International Spare Parts

234126  
DRAWING: EXP-0557 ISS:A04  
26/07/2005

Model No: Large Semi Parabolic Floor Tool: TTA-94B/95B & 606070



# Numatic International Spare Parts

Model No: Large Semi Parabolic Floor Tool: TTA-94B/95B & 606070

POS:	ITEM NO:	DESCRIPTION:	COMMENTS:
1	301193	CENTRE MOULDING PLUS INSERT DRILLED	
2	219647	M6 FORM G STAINLESS STEEL WASHER	
3	301195	M6 X 50MM TEE KNOB ASSEMBLY	
4	301194	M6 X 30MM TEE KNOB ASSEMBLY	
5	204068	3 INCH GREY WHEEL	
6	219644	M5 FORM G STAINLESS STEEL WASHER	
7	219645	M5 STAINLESS STEEL DOME NUT	
8	229295	RETAINING PIN	
9	219417	UNIFIED M/C SCREW INSULATOR	
10	215006	2" FLO WHEEL BLACK (GREY TYRE)	
11	204023	24MM FLO WHEEL INSERT	
12	329673	HEIGHT ADJUSTOR BRACKET WELDED ASSEMBLY	
13	219064	M6 X 35MM LONG HEX BOLT	
14	390401	6MM DIA X 60MM LONG STAINLESS STEEL BAR	
15	219402	6MM STAINLESS STARLOCK WASHER + CAP	
16	219007	M6 FORM B WASHER	
17	219642	M6 STAINLESS STEEL NYLON INSERT NUT	
18	219312	COMPRESSION SPRING	
19	229283	HEIGHT ADJUSTMENT SHAFT	
20	215008	ADJUSTING KNOB	
21	219720	M5 X 30MM LONG STAINLESS STEEL POZI PAN SCREW	
22	214107	EXTRA LARGE TOP MOULDING C/W INSERTS	
23	214108	EXTRA LARGE BOTTOM MOULDING C/W INSERTS	TTA-94B / TTA-95B
	229477	EXTRA LARGE BOTTOM MOULDING WITH LUGS C/W INSERTS	606070 FLOOR TOOL
24	217281	RUBBER BLADE	TTA-94B / TTA-95B
25	429070	WEIGHT (PAINTED SILVER)	TTA-95B / 606070 FLOOR TOOL
26	219016	M5 SHAKEPROOF WASHER	
27	219568	No8 X 3/4 INCH LONG POZI PAN STAINLESS STEEL SCREW	
28	219718	M6 STAINLESS STEEL SPRING WASHER	
29	217291	POLYURETHANE BACK BLADE 970MM LONG	606070 FLOOR TOOL
30	217290	POLYURETHANE FRONT BLADE 970MM LONG	606070 FLOOR TOOL

# WIRING DIAGRAM

COMP. No  
123189

DRG. No  
WD-0210

## MAINS TWINTEC 3450S & T/4550S/6650S HANDLE/VAC/BASE

ISSUE	REVISION	DRAWN	APPD.	DATE
A13	CIRCUIT BREAKER REMOVED FROM HANDLE	CG	MP	16.09:10

