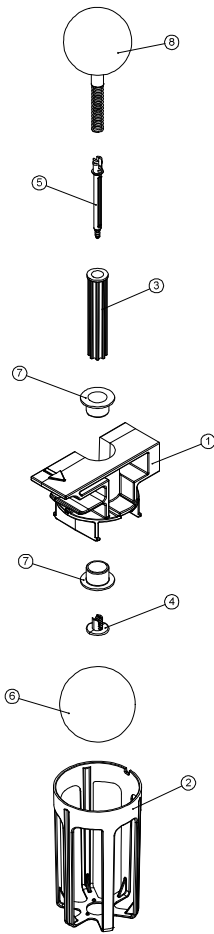


Numatic International Spare Parts

Model No: BALL SHUT OFF ASSEMBLY EXPLODED DRAWING

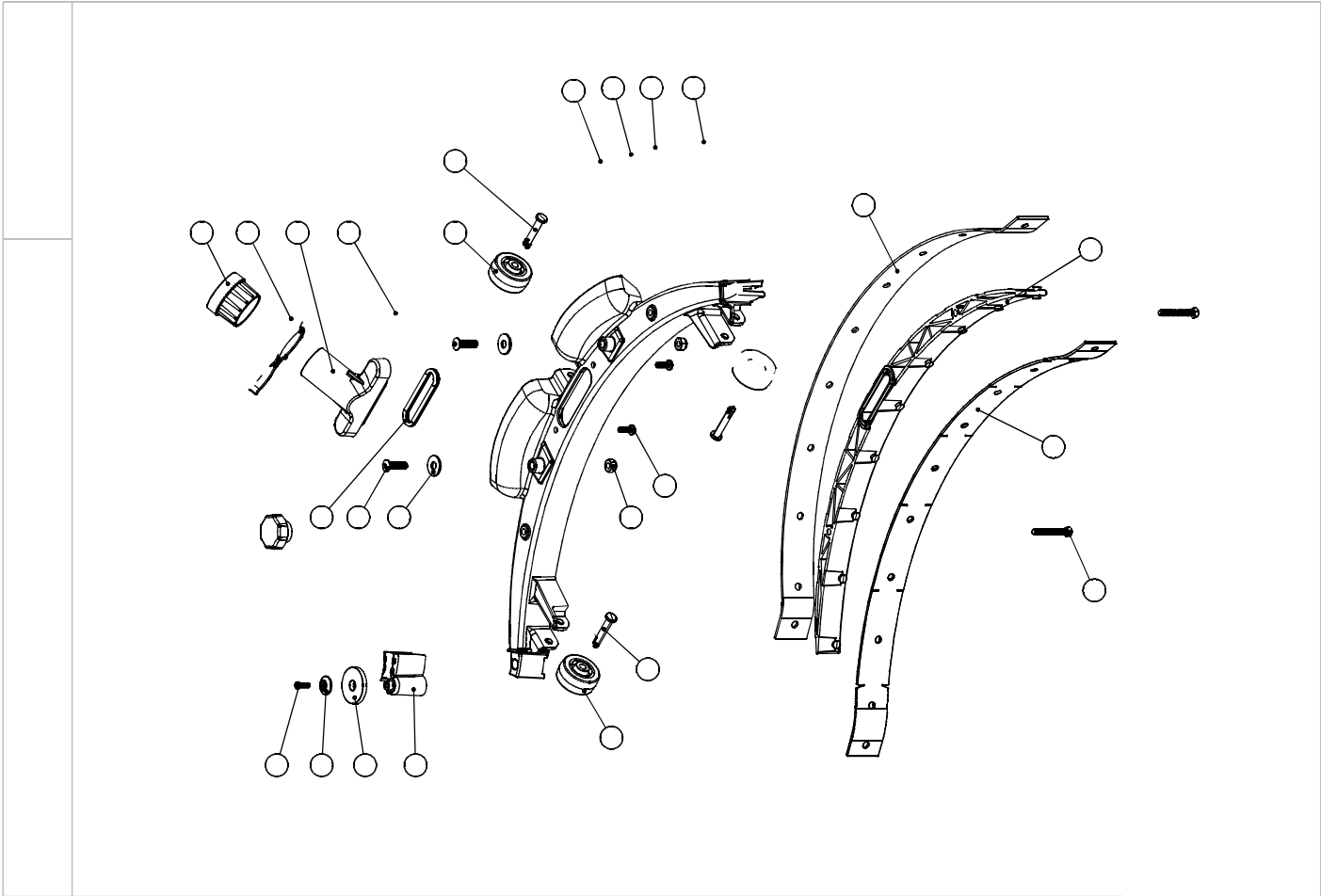
911798
DRAWING: DRW-31389 ISS:A02
15/07/2020



Numatic International Spare Parts

Model No: BALL SHUT OFF ASSEMBLY EXPLODED DRAWING

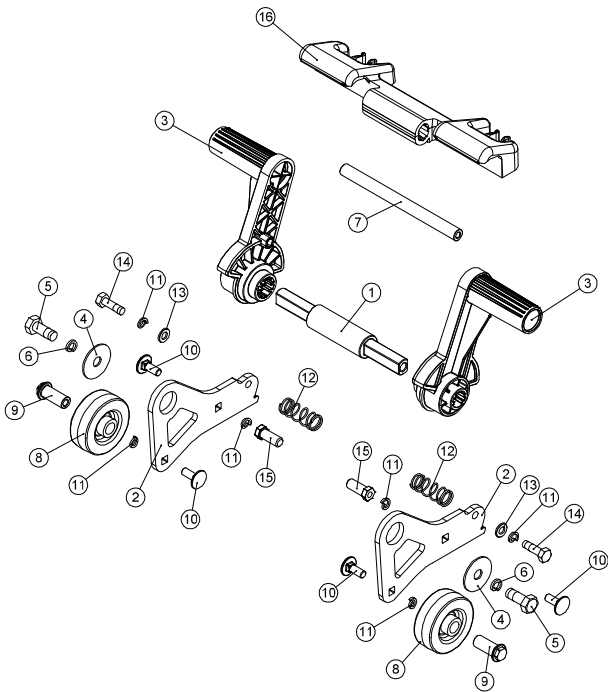
ITEM:	PART No:	Description	QTY.
1	911792	BALL SYSTEM MOUNT MOULDING	1
2	911796	BALL CAGE	1
3	911793	BALL SUPPORT PILLAR	1
4	911795	PILLAR END CAP	1
5	911794	PILLAR SPRING LOCK PIN	1
6	911797	PING PONG BALL	1
7	208331	IGUS BEARING (GFM 101209)	2
8	911799	HOLLOW BALL AND SPRING COMBINED	1



Numatic International Spare Parts

Model No: SQUEEGEE LIFT MECHANISM ASSEMBLY

911924
DRAWING: DRW-32510 ISS:A02
15/07/2020



Numatic International Spare Parts

Model No: SQUEEGEE LIFT MECHANISM ASSEMBLY

ITEM:	PART No:	Description	Comments	QTY.
1	910722	AXLE		1
2	910917	FLOOR TOOL LINK ARM AND STABILISER		2
3	910716	FLOOR TOOL RELEASE PEDAL		2
4	219877	M8 X 30 STAINLESS STEEL WASHER		2
5	291140	M8 X 20MM LG HEX HEAD SCREW STAINLESS STEEL C/W THREADLOCK	20,0Nm ± 1,0	2
6	219898	M8 SINGLE COIL STAINLESS STEEL WASHER		2
7	910883	SQUEEGEE PIVOT TUBE		1
8	215006	2 INCH FLO WHEEL BLACK (GREY TYRE)		2
9	910885	STUB AXLE	20,0Nm ± 1,0	2
10	291103	M6 X 16 COACH BOLT S/S	8,5Nm ± 0,5	4
11	219718	WASHER, M6, SPRING, STAINLESS STEEL		6
12	904784	COMPRESSION SPRING C5510990		2
13	219870	M6 FORM A WASHER STAINLESS STEEL		2
14	291144	M6 X 20MM LG HEX HEAD SCREW STAINLESS STEEL C/W THREADLOCK	8,5Nm ± 0,5	2
15	910990	FLOOR TOOL LIFTING PIN		2
16	911539	CSD FLOOR TOOL PLASTIC PLATE		1

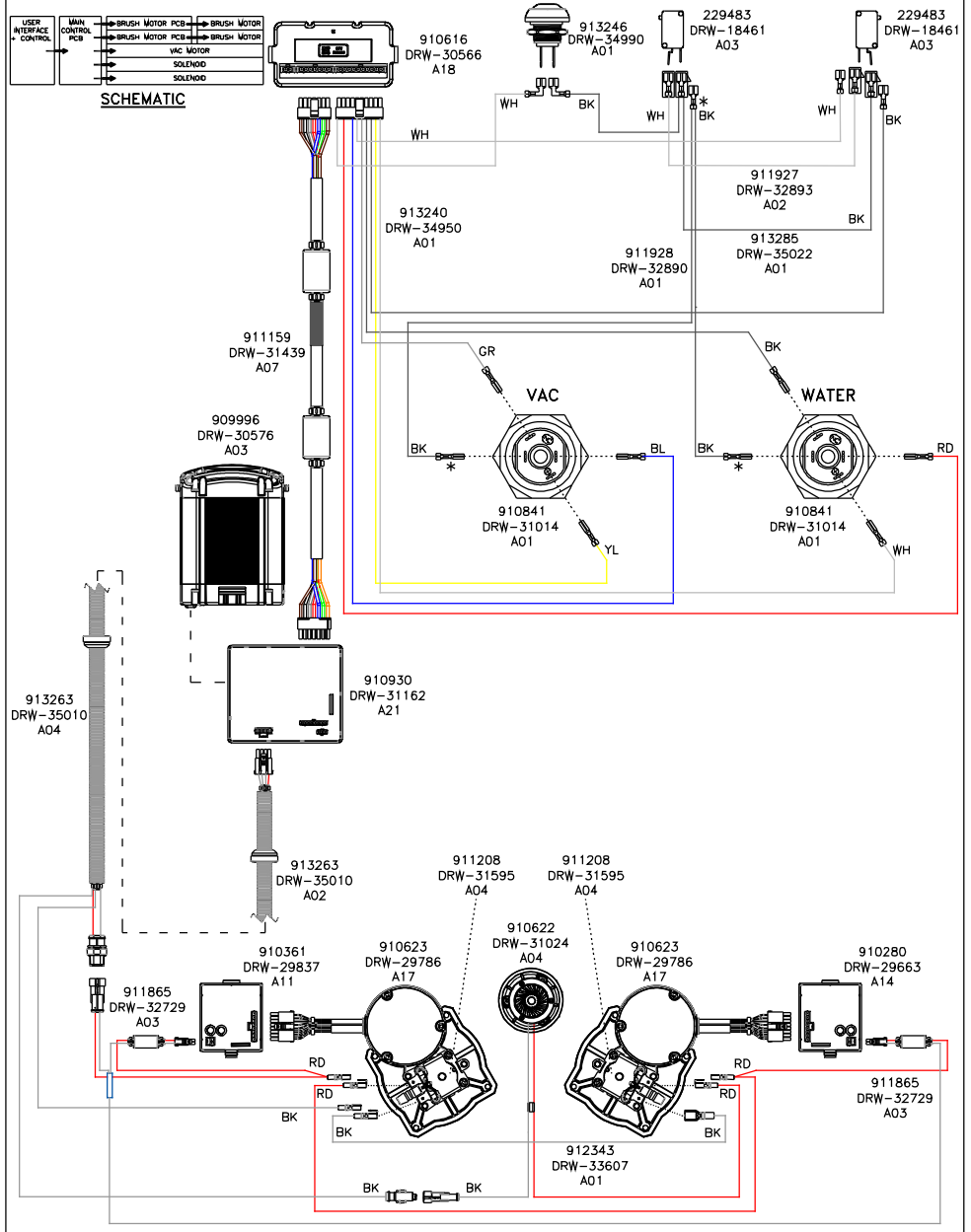
WIRING DIAGRAM

Comp. No
913230

DRG. No
DRW-34941

WIRING DIAGRAM.FLOORCARE.1S.BT.UNI.DC.BH.IBT

ISSUE	REVISION	DRAWN	APPD.	DATE
A06	SCHEMATIC UPDATED - BATTERY AND DC CHARGER REMOVED	PJB	AS	21/01/2021



WIRE COLOURS: RD=RED, BL=BLUE, BK=BLACK, GR=GREY, YL=YELLOW, WH=WHITE

* = BLACK WIRE FROM DOUBLE CRIMP