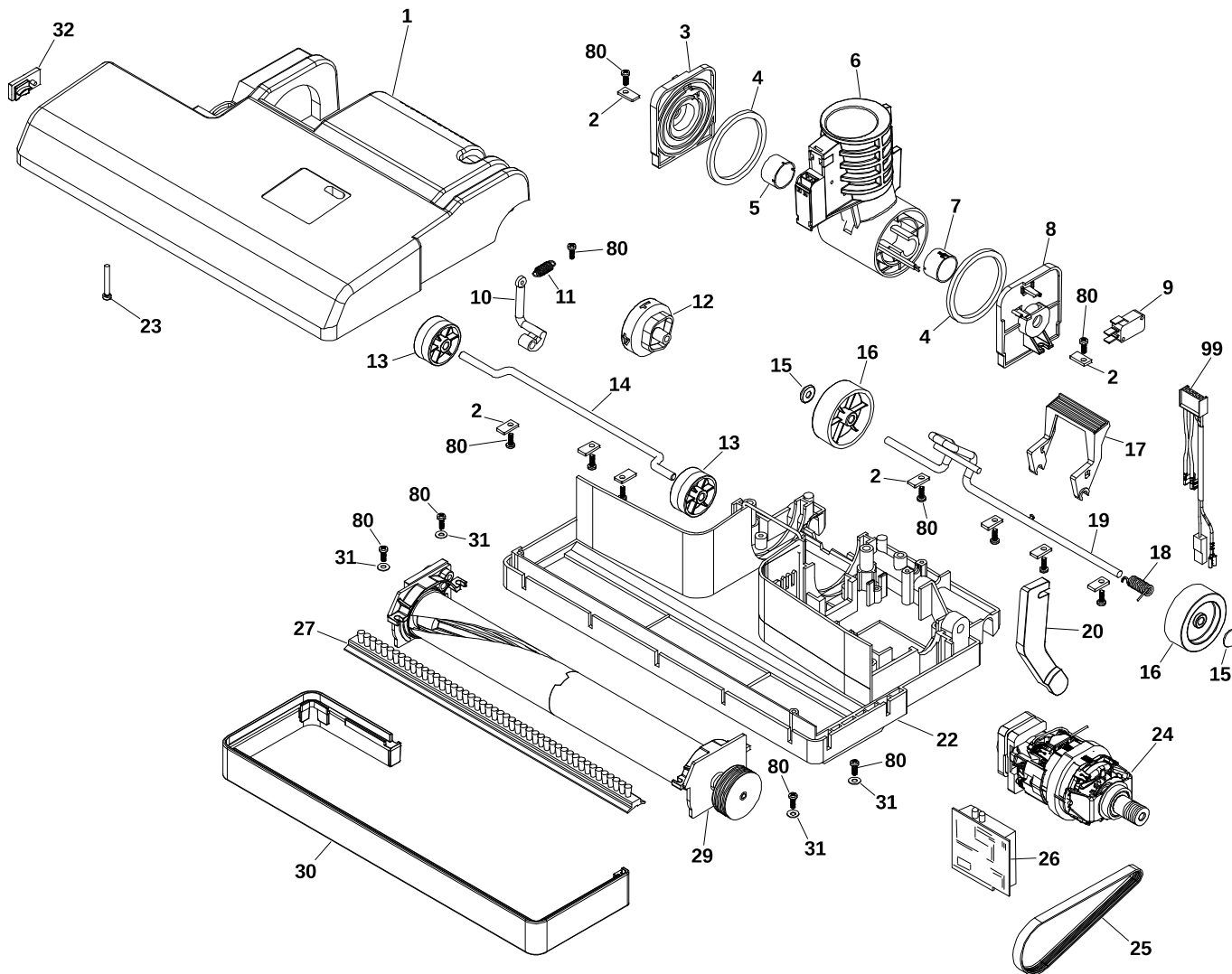


Battitappeto BT450 - Testa
Upright Vacuum cleaner BT450 - Head

TAVOLA 91
TABLE 91

January
2018



T91BT45_BASE_010218

Battitappeto BT450 - Testa
Upright Vacuum cleaner BT450 - Head
TAVOLA 91
TABLE 91

rif	codice	descrizione	description
1	BT.201C	COVER COMPLETA BLU BT450 (RSA1COVBLUT18)	COMPLETE COVER BT450 (RSA1COVBLUT18)
2	BT.102	PIASTRINA BLOCCAGGIO ASSI HD (A8PIABA)	LOCKING PLATE SHAFT BT (A8PIABA)
3	BT.103	SUPPORTO SNODO BT350-450 (A1SSNT)	LATERAL SUPP. JUNCTION BT (A1SSNT)
4	BT.104	ANELLO TENUTA SNODO BT350-450 (A2ATST)	GASKET FOR JUNCTION BT (A2ATST)
5	BT.105	BOCCOLA SNODO BT IN PLASTICA (A1BOS)	PLASTIC BUSH FOR JUNCTION BT (A1BOS)
6	BT.106	SNODO CPL BT350-450 220V (SA1SNOT)	COMPLETE JUNCTION BT (SA1SNOT)
7	BT.107	BOCCOLA SNODO BT350-450 OTTONE (A8BOS1)	BRASS BUSH BT JUNCTION (A8BOS1)
8	BT.108	SUPPORTO PER SNODO E MICRO BT (A1SSNMT)	LATERAL SUPP.JUNCTION/MICRO BT (A1SSNMT)
9	BT.109	MICROINTERRUTTORE BT350-450 (A3MICT)	MICROSWITCH FOR BT (A3MICT)
10	BT.210	LEVA ASSE ANTERIORE BT450 (A1LASA18)	LEVER FOR FRONT SHAFT BT450 (A1LASA18)
11	BT.111	MOLLA ASSE RUOTA ANTER.HD14/18 (A8MARUA)	SPRING FOR BT FRONT SHAFT (A8MARUA)
12	BT.112	CAMMA REGOLAZ.ALT.BASE BT TAMP.(SA1CRAT)	HEIGHT ADJUSTM. ECCENTRIC PART(SA1CRAT)
13	BT.113	RUOTA ANTERIORE BT350/450 (A1RAT14)	FRONT WHEEL FOR BT (A1RAT14)
14	BT.214	ASSE ANTERIORE BT450 (A8ASA18)	FRONT SHAFT BT450 HEAD (A8ASA18)
15	BT.114	FISSATORE C/CAPP (A8FICC)	LOCKING PART FOR BT (A8FICC)
16	BT.216	RUOTA POSTERIORE BT450 (A1RPT18)	REAR WHEEL FOR BT450 (A1RPT18)
17	BT.117	PEDALE BT350-450 (A1PET1)	PEDAL FOR BT (A1PET1)
18	BT.119	MOLLA ASSE REGOLAZ. ALTEZZA HD14(A8MARA)	SPRING FOR HEIGHT ADJUST BT14(A8MARA)
19	BT.219	ASSE POSTERIORE BT450 (A8ASP18)	REAR SHAFT FOR BT450 (A8ASP18)
20	BT.120	ARTICOLAZIONE BASE BT+MOLLA(RSA1ARTBT1)	LATERAL SUPPORT FOR BODY-BT(RSA1ARTBT1)
22	BT.222	FONDO ACCESSORIO HD18 COMPL(RSA1FAT18V2)	PLASTIC BASEMENT FOR BT 18 (RSA1FAT18V2)
23+31+80	BT.VSET	SET VITI PER GRUPPO+ACCESSORIO BT350/450	COMPLETE SET OF SCREWS FOR BT BODY+HEAD
24	BT.224	SEMILAVOR.MOTORE SPAZZ. HD18 220V COMPL	COMPLETE BRUSH MOTOR 230V BT18
	BT.224C-USA	SEMILAVOR.MOTORE SPAZZ. HD18 120V COMPL	COMPLETE BRUSH MOTOR 120V BT18
25	BT.225	CINGHIA POLY-V 313H6 BT450 (A2CPV18)	BELT POLY-V BT450 (A2CPV18)
26	BT.226	SCHEDA ELETTRICA LED /230V BT450 (*)	ELECTRONIC CARD 230V BT450
27	BT.227	LISTELLO RULLO 18 IN PP BT(A4LISRU18)(*)	BRISTLE FOR BT18 BRUSH (A4LISRU18)
29	BT.229	RULLO 18 BT C/PUL + SETOLA (RSA1RUP18)	COMPLETE BRUSH BT18 (RSA1RUP18)
30	BT.230	PARACOLPI GOMMA 18 NERO BT (A2PAGTNE18)	FRONT RUBBER PROTECT- BLACK (A2PAGTNE18)
23+31+80	BT.VSET	SET VITI PER GRUPPO+ACCESSORIO BT350/450	COMPLETE SET OF SCREWS FOR BT BODY+HEAD
32	BT.132	COPERCHIETTO COMPL. FIN.LAT.HD (SA1CFFT)	SIDE COVER FOR BT (SA1CFFT)
99	BT.122.3	CABLAGGIO BASE COMM/BT 230V (SA3CABGBE)	WIRINGS COMM/BT 230V (SA3CABGBE)
	BT.122.3-USA	CABLAGGIO BASE COMM/BT USA (A3CABBCUS)	120V WIRINGS CARD/MOT+SWITCH(A3CABBCUS)

January 2018